

FORD GALAXIE

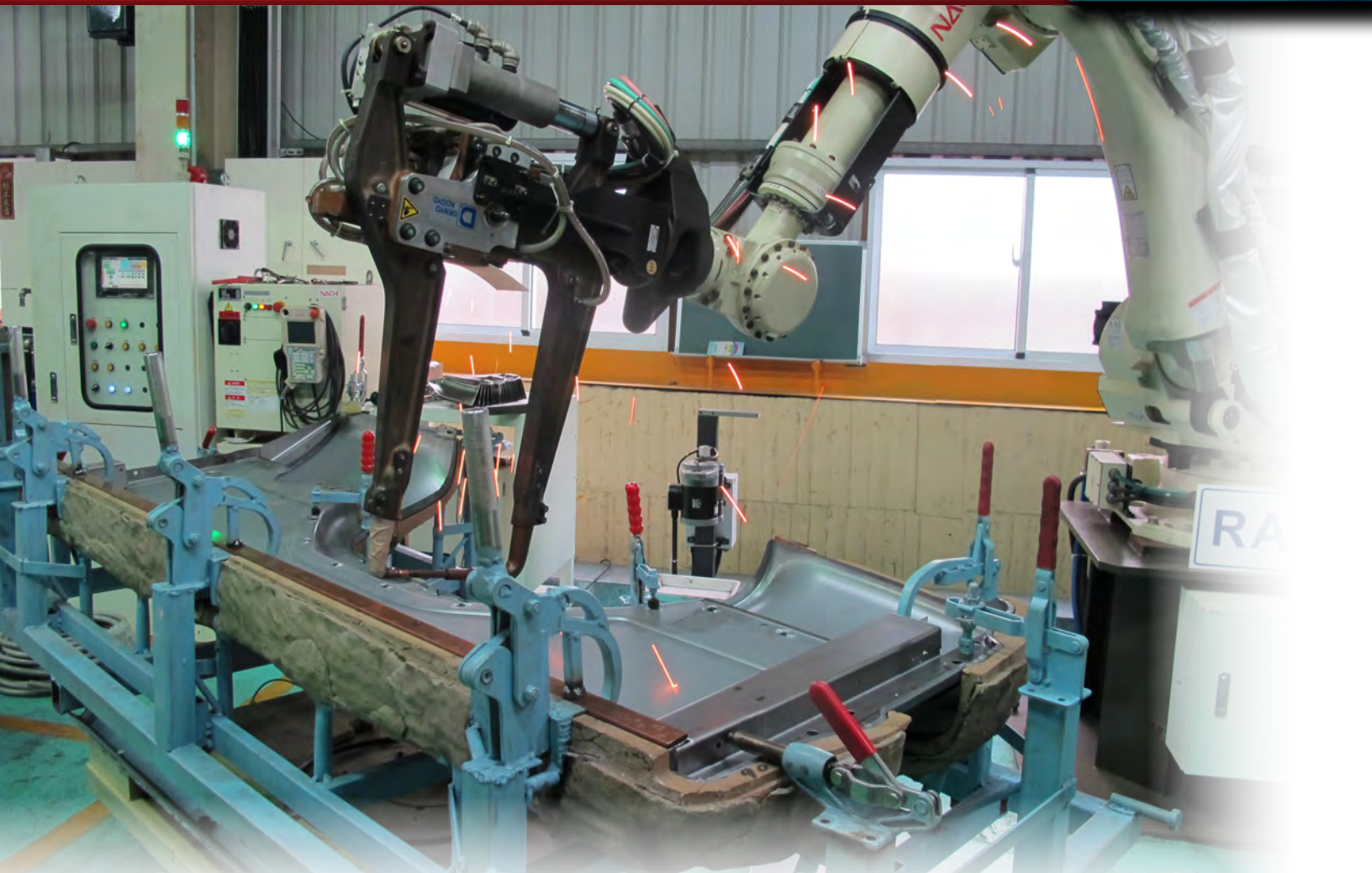
Galaxie 500 XL

AMTM
AUTO METAL DIRECT



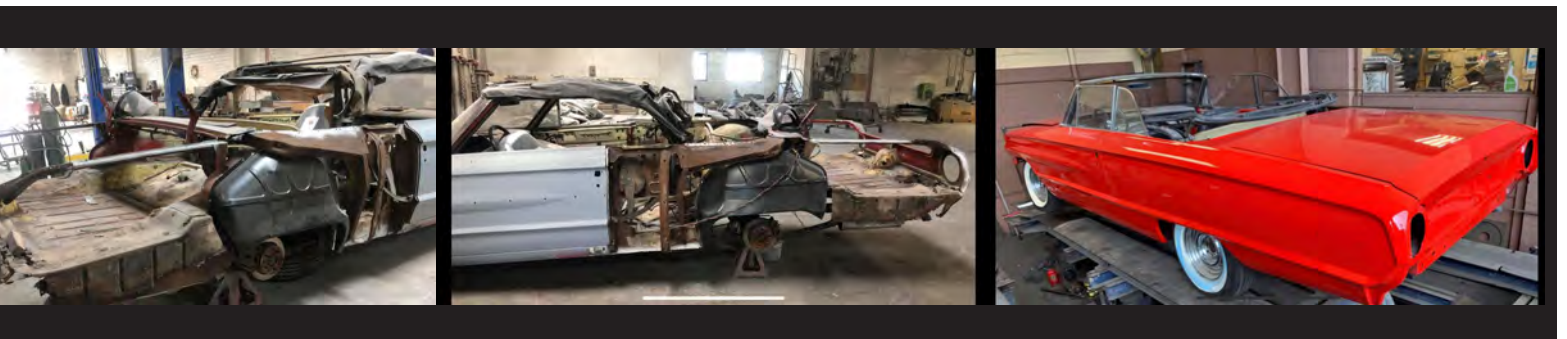


GALAXIE



QUALITY YOU CAN TRUST

Don't settle for the incorrect, knock-off parts for your Ford Galaxie. Get premium sheetmetal from the professionals at Auto Metal Direct! Our panels are made from the proper gauge steel and include all correct-as-original clips, tabs, flanges, bends and seams. Each time a prototype body panel comes off of new tools, we test fit it on a actual vehicle. The marked up prototype is then used to change and improve the tools, and a new prototype is produced. This procedure might be repeated multiple times, but once the final part is approved, you can be assured of a quality part.



1963 GALAXIE



63 Galaxies were available in 2 different kinds of hardtops...early models had as the biggest option the 406 ci V8 and more formal "Victoria" hardtop. On the NASCAR tracks, this roofline was not very aerodynamic, and Ford was getting clobbered by the 426 Max Wedge II Mopars, 421 Pontiacs, and Mystery Motor (427 ci based 409 style motor) Impalas. The body code for this style is "65" and we don't offer quarters for this body style and our parts that are specifically for "fastback" models won't fit this body. These models were phased out when the fastback body style was introduced (as shown to the left). Ford's answer to the competition was to introduce the 427 V8, as well as a more fastback roofline which allowed Ford to be more competitive on the track. The body code for this type is "63". This is the body we made our parts for...so '63 owners be sure you have the "fastback" style body when ordering some of our parts or you're going to be disappointed when the parts don't fit!

Mercury also had the same plethora of models that Galaxie did... plus they had a notched-in rear window called "Breezeway" where the rear glass retracted down like a station wagon. This body code was "65". Mid-year '63 Mercury introduced the "Marauder" hardtops with the fastback roofline...these are the "63" body code style... but Mercury kept selling the "Breezeway" style hardtops through '64 where Ford discontinued the old "65" body style hardtop.

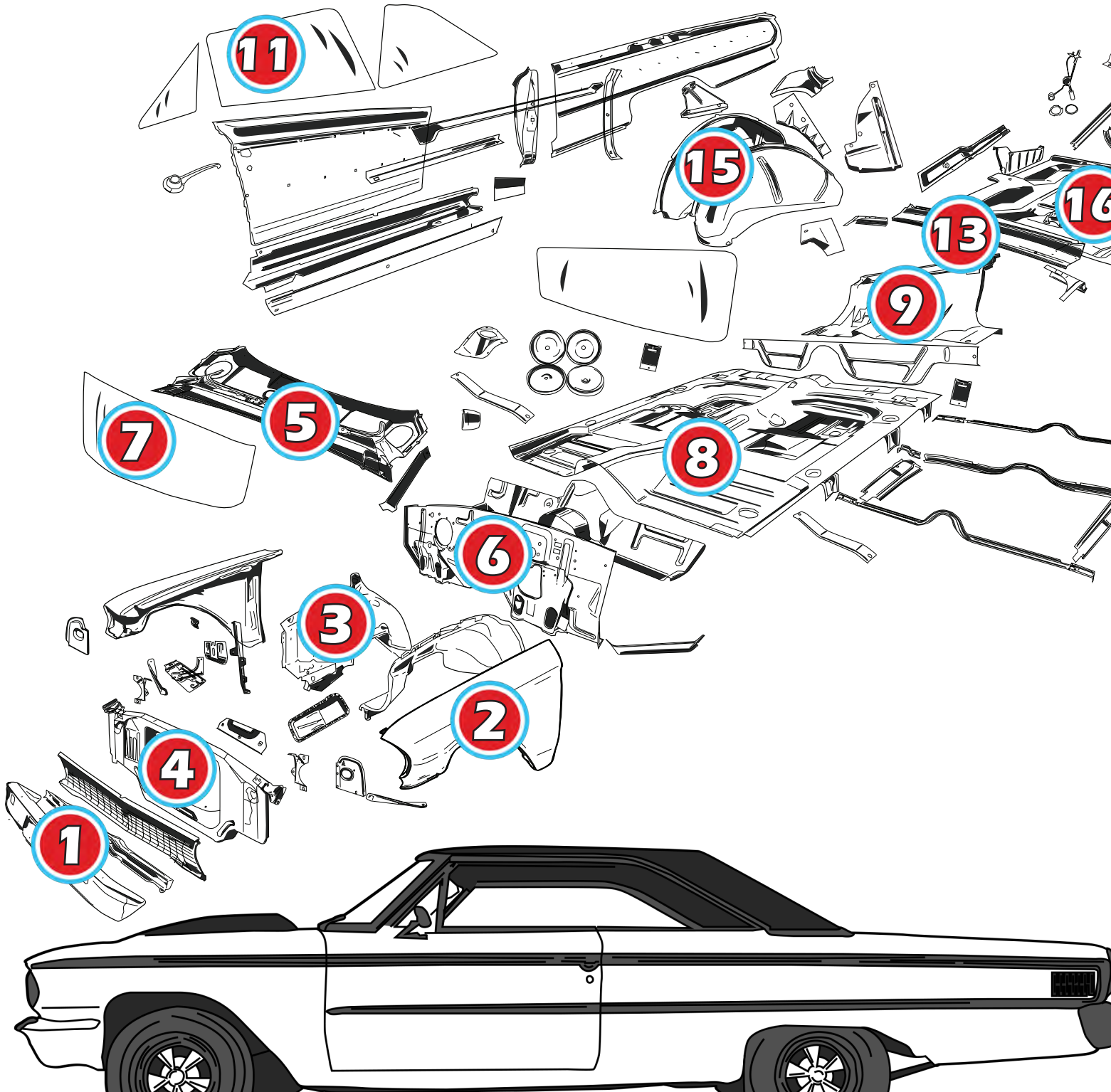
1964 GALAXIE

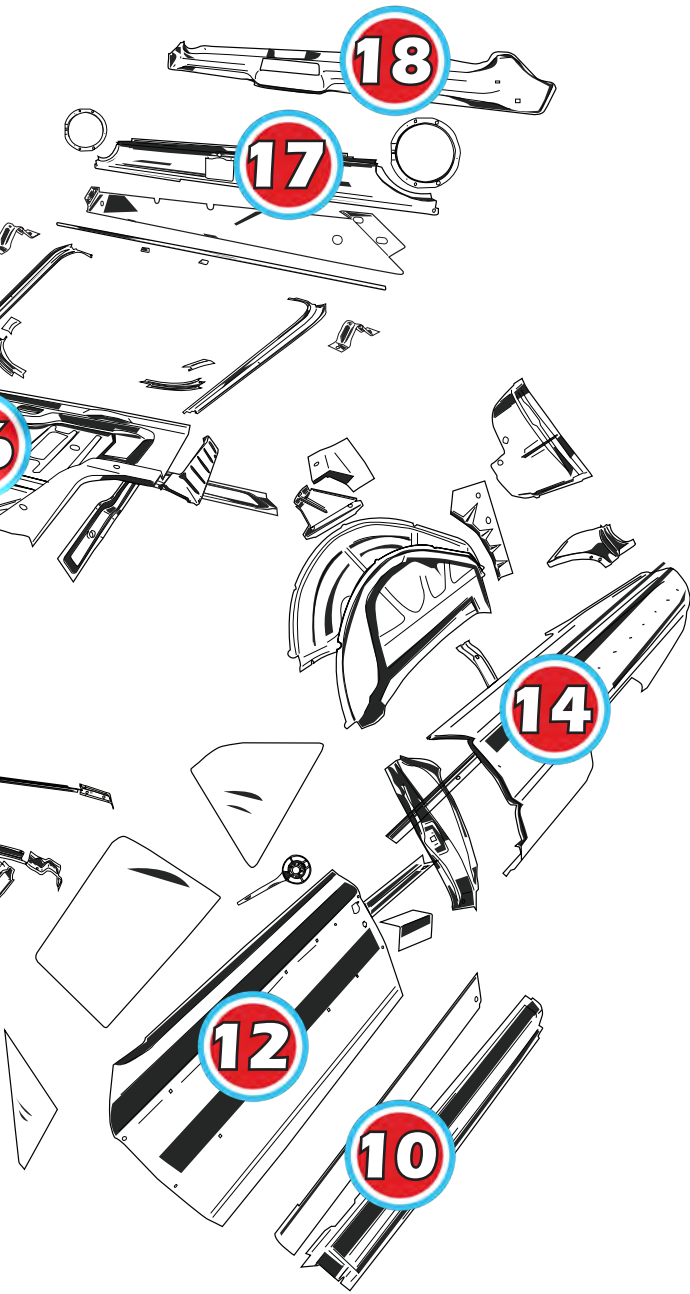
A car bred in open competition and built for total performance as described by the marketing guys from Ford, the '64 Galaxie shared a lot of under-body components but the sheetmetal is quite different. Based on the '63 fastback roof sales, all '64 Galaxies were offered with the fastback styling other than the wagon. The '64 XL two door hardtop became the best seller of any XL produced in any year and with this in mind, you will find most of our parts coordinate with those models. The '64 Galaxie changed floor pans, fire wall, seat brackets and braces, trunk floor, and almost all of the outer body panels. We highlight our new panels in the Ford factory assembly drawings as pictured to the right. Ford offered a staggering 16 different body styles in '64. Wagon's, drop tops, four door hard tops, post sedan cars with 2 or 4 doors, and the two door fastback were available. Most models came with high performance options and make for a great restoration project. If you come across or have a highly sought after 427 car or a plain jane straight 6, you will be sure to turn some heads. We are continually expanding our product line and offering for these great Ford classics, so be sure to check our website often for the most up to date offerings.



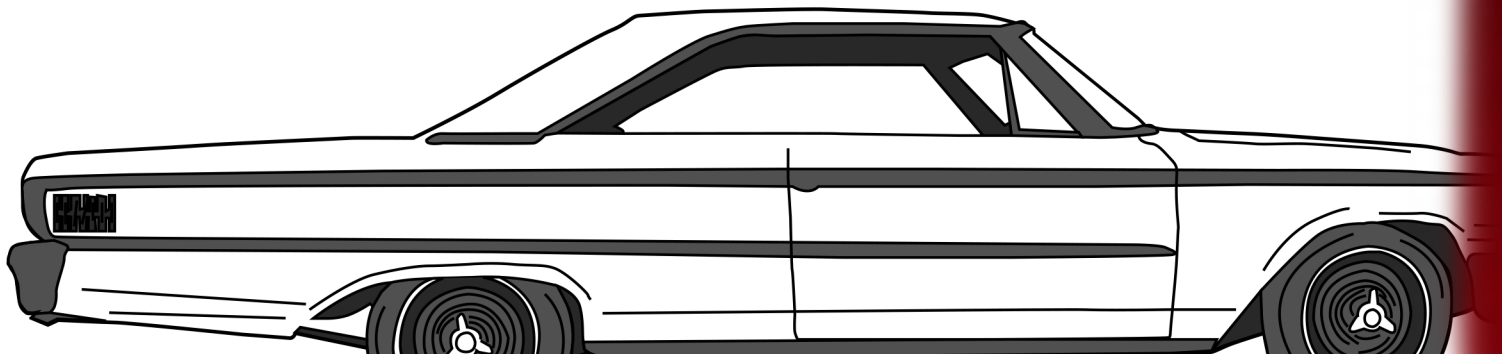
AutoMetalDirect.com

1963 GALAXIE

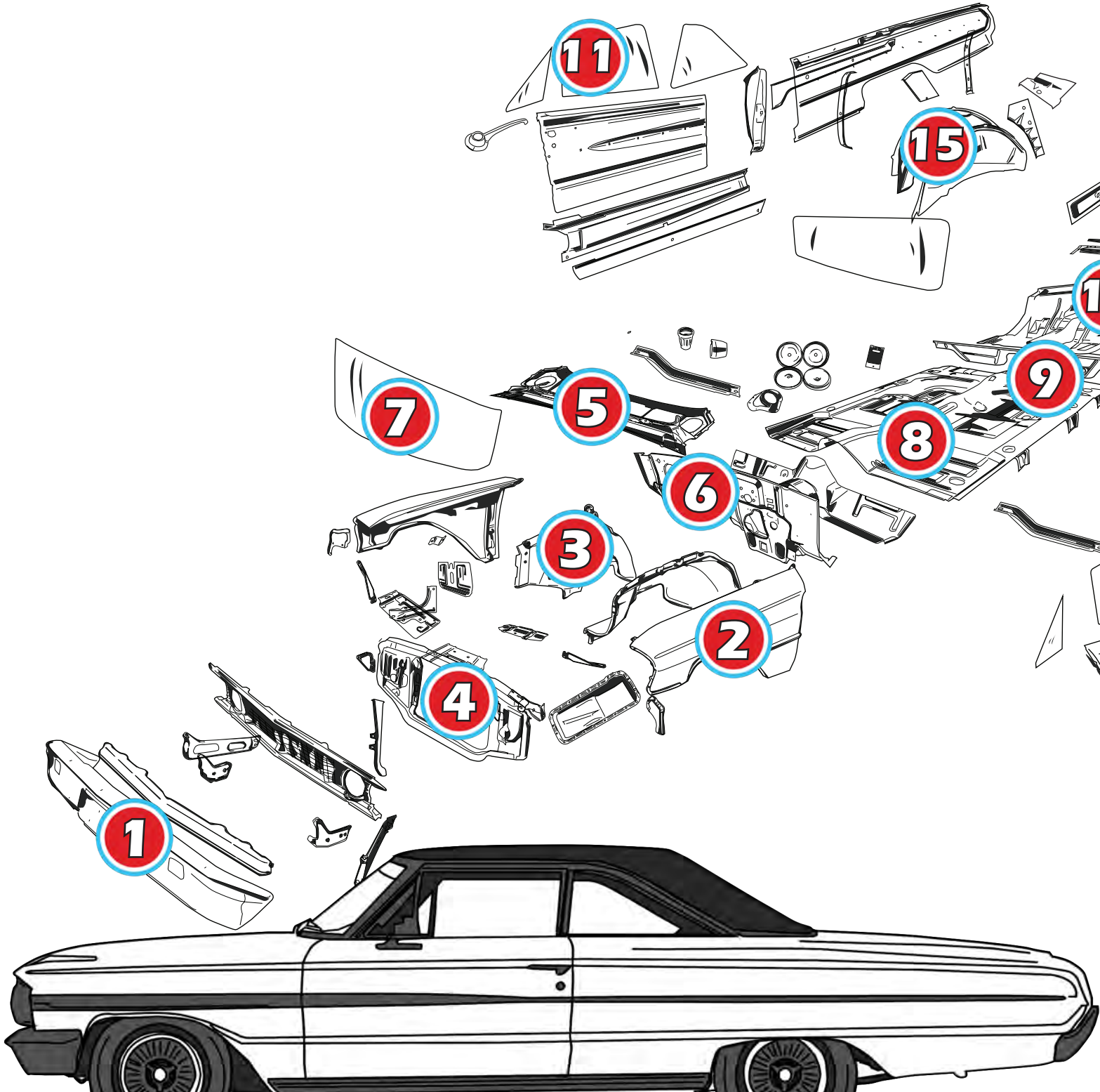


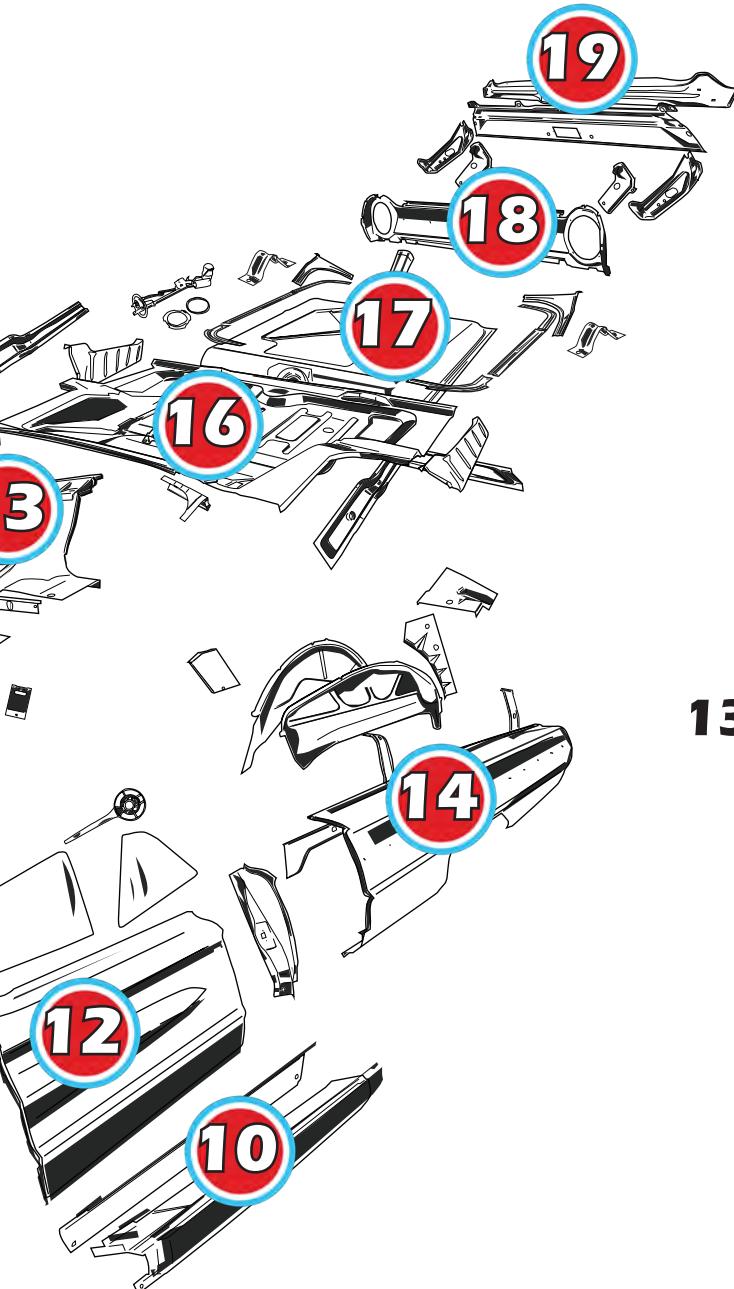


- 1. FRONT BUMPERS.....6**
- 2. FRONT FENDERS...9**
- 3. INNER FENDERS...11**
- 4. RADIATORS...13**
- 5. COWLS...16**
- 6. FIREWALL...17**
- 7. WINDSHIELD...19**
- 8. FLOOR PANS...20**
- 9. SEAT FLOOR PANEL...22**
- 10. ROCKER PANELS...24**
- 11. GLASS...26**
- 12. DOOR SKINS...27**
- 13. DECK FILLER PANELS...30**
- 14. QUARTER PANELS...31**
- 15. WHEELHOUSES...35**
- 16. TRUNK FLOORS...37**
- 17. TAILLIGHT PANELS...42**
- 18. REAR BUMPERS...43**

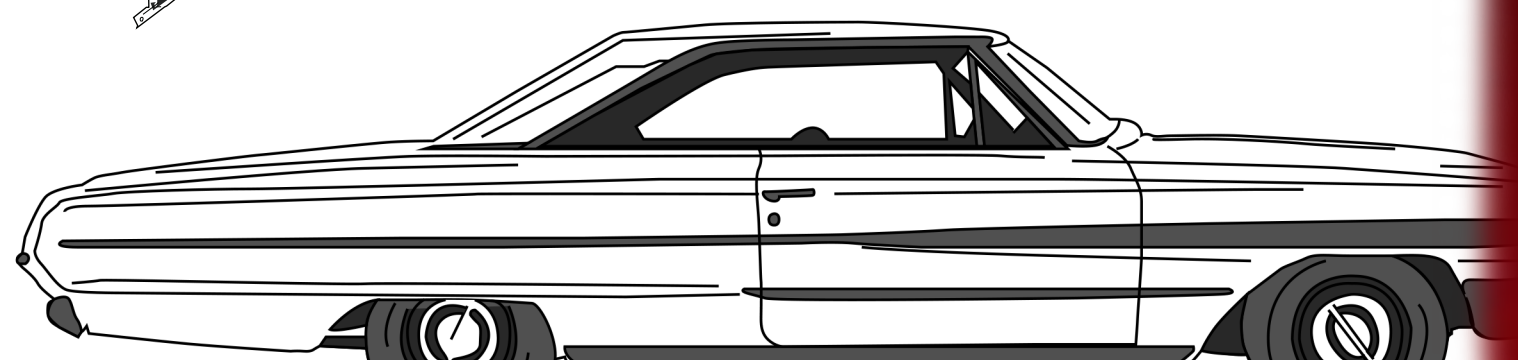


1964 GALAXIE





1. FRONT BUMPERS.....6
2. FRONT FENDERS...8
3. INNER FENDERS...11
4. RADIATORS...13
5. COWLS...16
6. FIREWALLS...17
7. WINDSHIELD...19
8. FLOOR PANS...20
9. SEAT FLOOR PANEL...22
10. ROCKER PANELS...24
11. GLASS...26
12. DOOR SKINS...27
13. DECK FILLER PANELS...30
14. QUARTER PANELS...31
15. WHEELHOUSES...35
16. TRUNK FLOORS...37
17. GAS TANKS...41
18. TAILLIGHT PANELS...42
19. REAR BUMPERS...43





100-8964



100-8965

100-8963

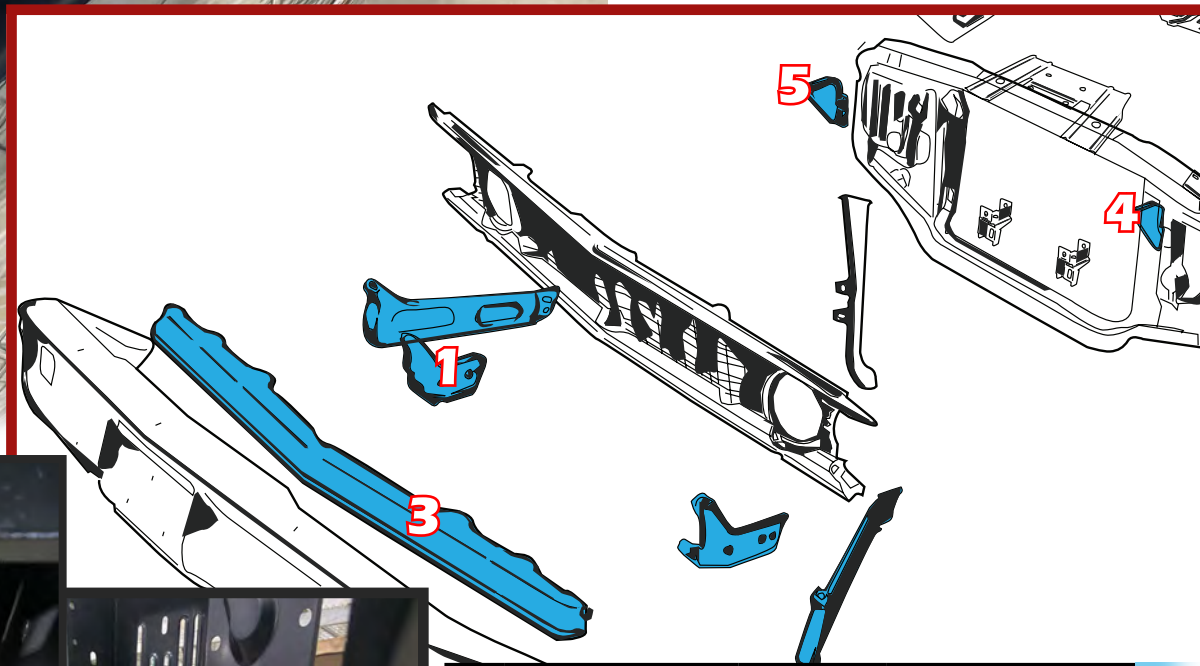
FRONT BUMPERS

AMD bumpers are made from heavy gauge steel and feature OE quality chrome finish. All parts feature, depending on application, correct holes for turn signals or back-up lamps. Installation is fast and easy as all parts are designed to be a direct bolt-on utilizing OE bumper brackets and hardware.

Item Code	Description
100-8963	Front Bumper - 63 Ford Galaxie
100-8964	Front Bumper - 64 Ford Galaxie
100-8965	Front Bumper - 65-66 Ford Galaxie



115-8964



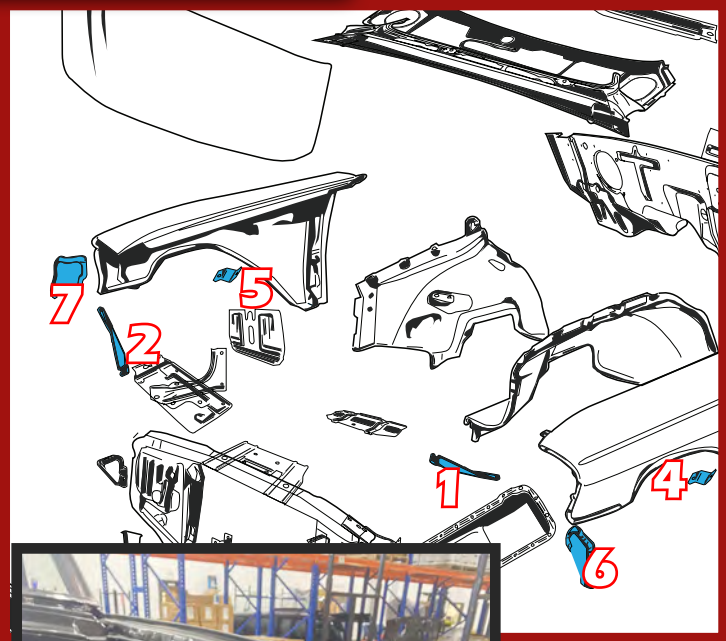
	Item Code	Description
1	105-8964-S	Front Bumper Bracket Set - 64 Ford Galaxie
2	115-8963	Grille to Bumper Filler Panel - 63 Galaxie
3	115-8964	Grille to Bumper Filler Panel - 64 Galaxie
4	151-8964-L	Grille Support - LH - 64 Ford Galaxie
5	151-8964-R	Grille Support - RH - 64 Ford Galaxie



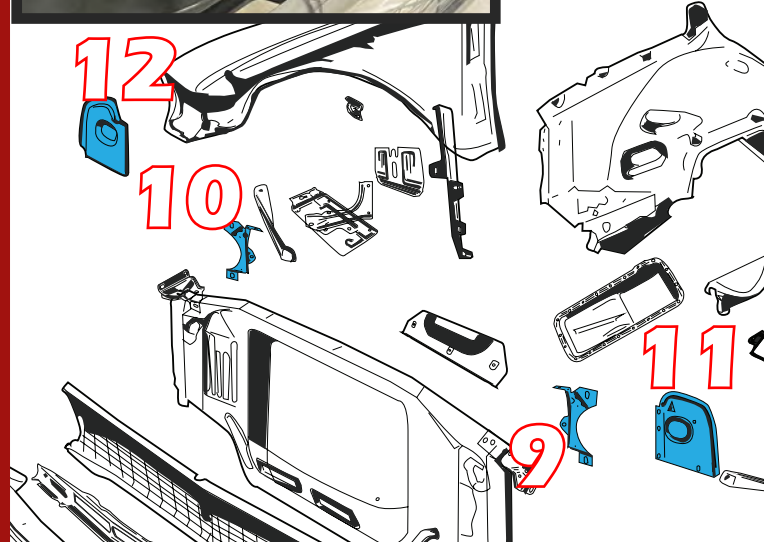
FRONT FENDERS

Stamped from high quality OE gauge steel on our exclusive new tools. Each fender features the correct shape, size, bends, curves and holes, like original. Arrives EDP coated to help protect against rust and corrosion.

Item Code	Description
200-8963-L	Front Fender - LH - 63 Galaxie
200-8963-R	Front Fender - RH - 63 Galaxie



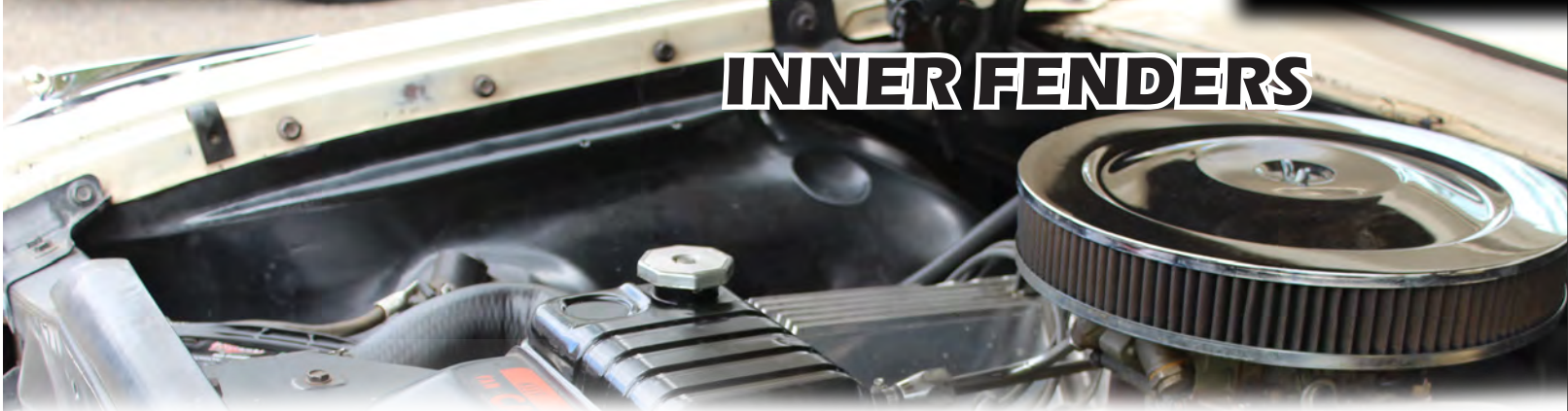
202-8963-1L



	Item Code	Description
1	220-8961-L	Fender to Radiator Support Brace - LH - 61-64 Galaxie; 64 Monterey Marauder
2	220-8961-R	Fender to Radiator Support Brace - RH - 61-64 Galaxie; 64 Monterey Marauder
3	220-8963-1	Front Fender to Inner Fender Bracket - LH or RH (Sold as Each) - 63 Galaxie Monterey Marauder
4	220-8964-L	Fender to Inner Fender Bracket - LH - 64 Galaxie Monterey Marauder
5	220-8964-R	Fender to Inner Fender Bracket - RH - 64 Galaxie Monterey Marauder
6	255-8964-L	Front Fender Splash Shield - LH - 64 Galaxie; 63 Marauder Monterey
7	255-8964-R	Front Fender Splash Shield - RH - 64 Galaxie; 63 Marauder Monterey

	Item Code	Description
8	X141-8968-2	Headlamp Mounting Ring, 68-69 Galaxie / LTD RH Lo Beam
9	202-8963-1L	Inner Headlamp Support Bracket - LH - 63 Ford Galaxie
10	202-8963-1R	Inner Headlamp Support Bracket - RH - 63 Ford Galaxie
11	202-8963-L	Headlamp Support Apron - LH - 63 Galaxie
12	202-8963-R	Headlamp Support Apron - RH - 63 Galaxie

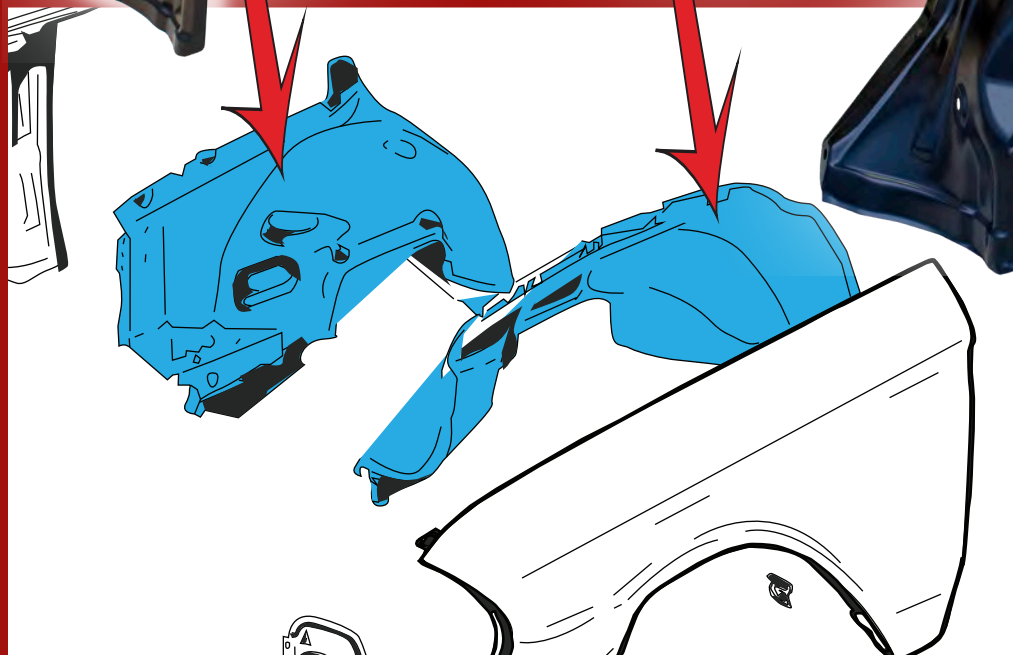
INNER FENDERS



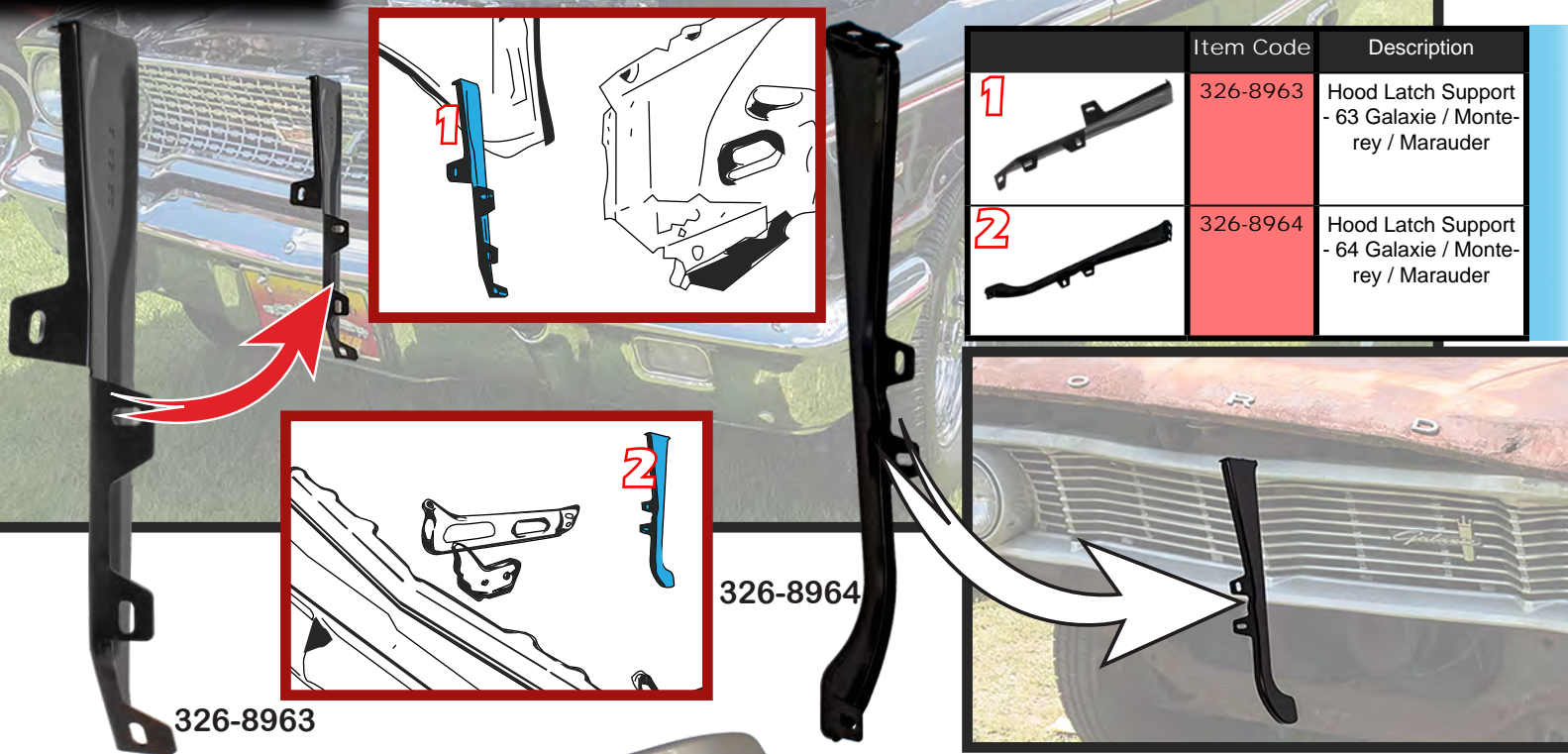
250-8963-L
250-8963-R
250-8963-P



250-8964-L
250-8964-R
250-8964-P



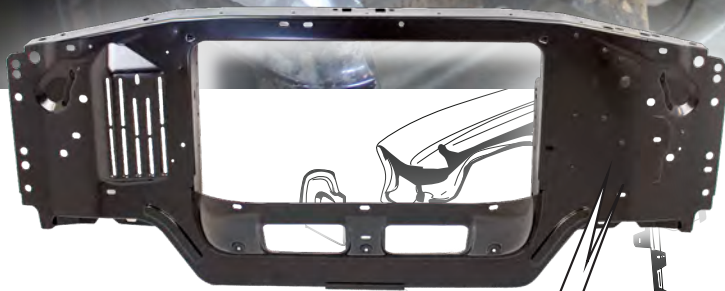
Item Code	Description
250-8963-L	Inner Fender - LH - 63 Galaxie
250-8963-P	Inner Fenders - LH/RH Pair - 63 Galaxie
250-8963-R	Inner Fender - RH - 63 Galaxie
250-8964-L	Inner Fender - LH - 64 Galaxie
250-8964-P	Inner Fenders - LH/RH Pair - 64 Galaxie
250-8964-R	Inner Fender - RH - 64 Galaxie



	Item Code	Description
1	326-8963	Hood Latch Support - 63 Galaxie / Monterey / Marauder
2	326-8964	Hood Latch Support - 64 Galaxie / Monterey / Marauder



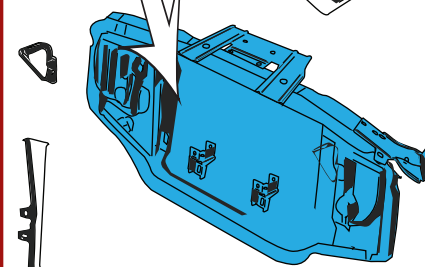
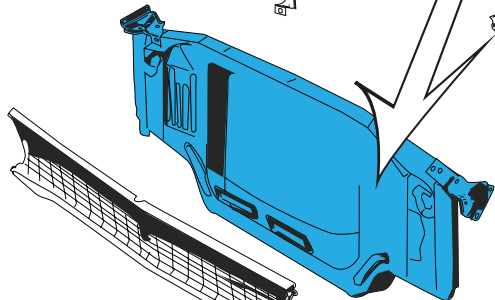
Item Code	Description
332-8963	Oil Pan - 60-64 Ford Galaxie 352/390/406/427 (All Special 4B)
340-8961-1	Battery Tray - 61-70 Ford Galaxie Big Block
341-8961	Battery Hold Down Bracket - 60-69 Ford Galaxie
341-8963	Battery Tray Support - 61-63 Ford Galaxie
341-8964-1	Battery Tray Support - 64 Ford Galaxie



350-8963



350-8964

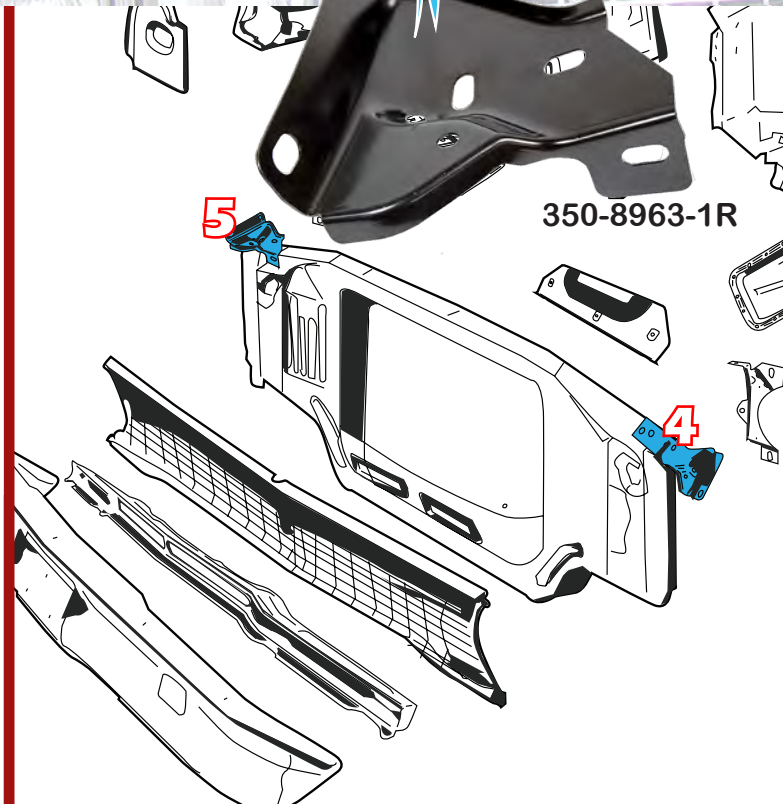
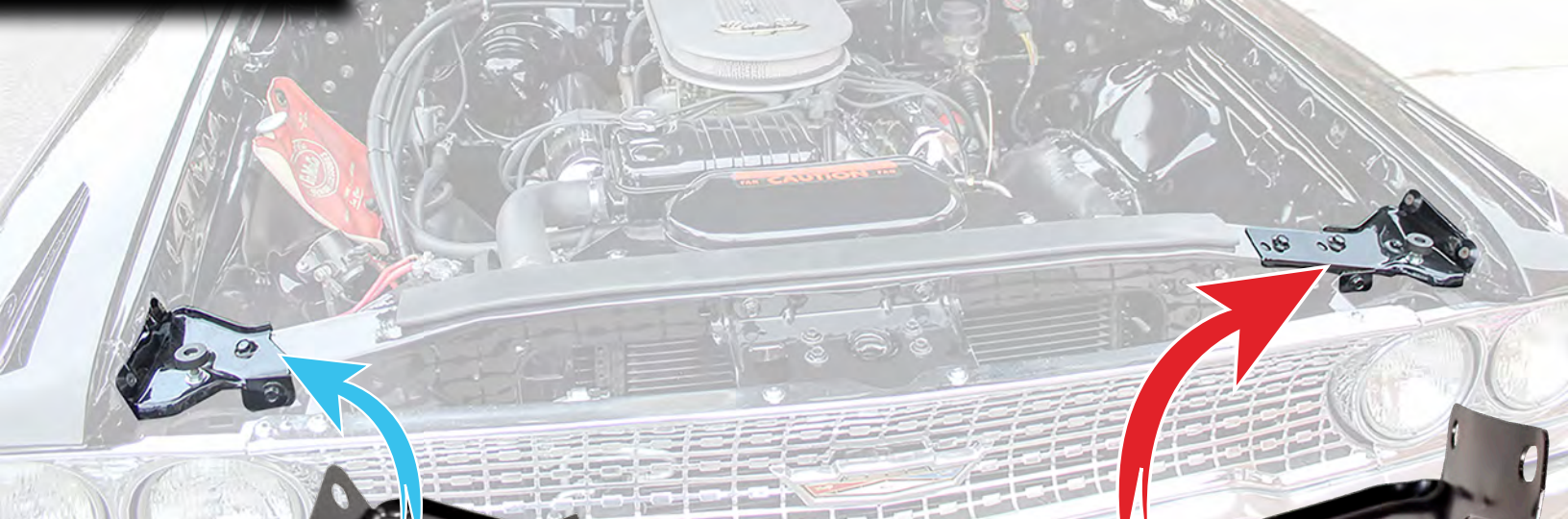


RADIATOR SUPPORT

Reproduction radiator core support for the Ford Galaxie. This radiator support is correct for models equipped with standard and extra cooling radiators.

Stamped from high quality OE gauge steel on our exclusive new tools. Each radiator support features correct as original shape, size, bends, tabs and holes, like original. Arrives EDP coated to help protect against rust and corrosion.

Item Code	Description
350-8963	Radiator Support - 63 Ford Galaxie; 63 Mercury Marauder / Monterey
350-8964	Radiator Support - 64 Galaxie Monterey Marauder

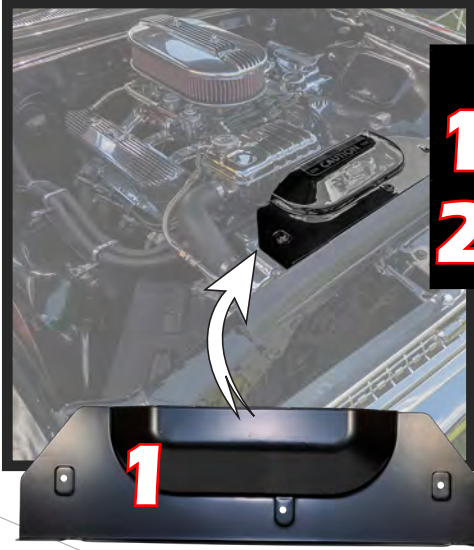


5

350-8963-1R

350-8963-1L

	Item Code	Description
1	349-8964	Radiator Support Bracket - Lower - LH or RH - 64 Ford Galaxie
2	349-8964-1	Radiator Hold Down Bracket - Upper - 64 Ford Galaxie (Small Block)
3	349-8964-2	Radiator Hold Down Bracket - Upper - 64 Galaxie Monterey Marauder (Big Block or Small Block w/ HD Cooling or A/C)
4	350-8963-1L	Radiator Support Upper Extension - LH - 63 Ford Galaxie
5	350-8963-1R	Radiator Support Upper Extension - RH - 63-64 Galaxie
6	350-8963-S	Radiator Support & Upper Extensions Kit - 63 Ford Galaxie
7	350-8964-1L	Radiator Support Extension - LH - 64 Galaxie Monterey Marauder



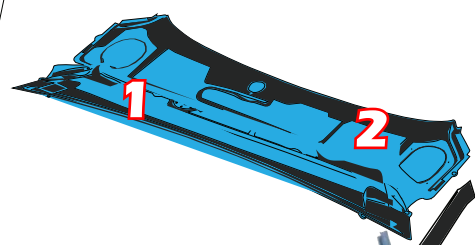
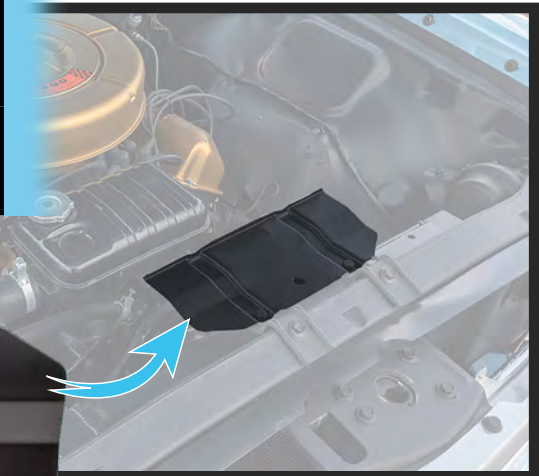
	Item Code	Description
1	355-8963	Fan Guard - 63 Ford Galaxie
2	355-8964	Fan Guard - 64 Ford Galaxie (Big Block)



355-8963



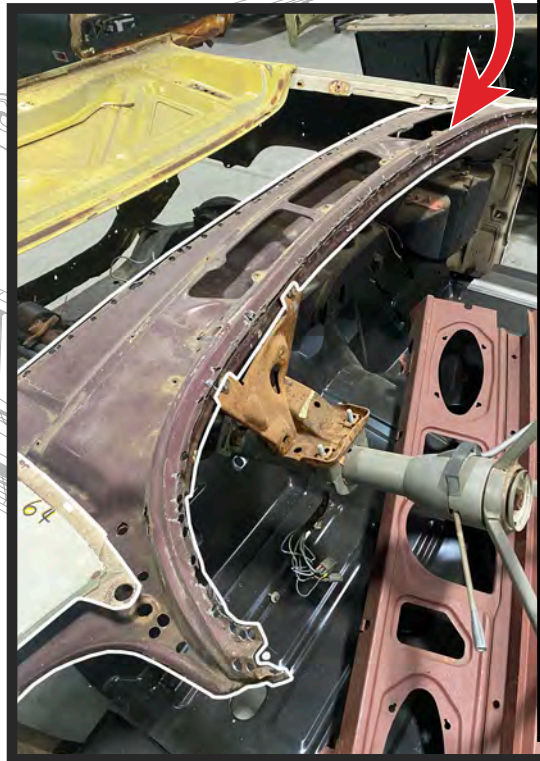
355-8964



360-8963

COWLS

	Item Code	Description
1	360-8963	Upper Cowl Panel - 63-64 Galaxie Monterey Marauder
2	360-8963-1	Lower Inner Cowl Plenum - 63-64 Galaxie Monterey Marauder
3	376-8963-2L	Lower Cowl Side - Rear - LH - 63 Galaxie
4	376-8963-2R	Lower Cowl Side - Rear - RH - 63 Galaxie





FIREWALLS

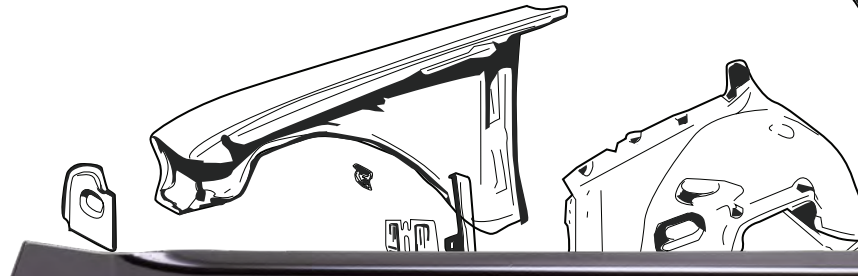
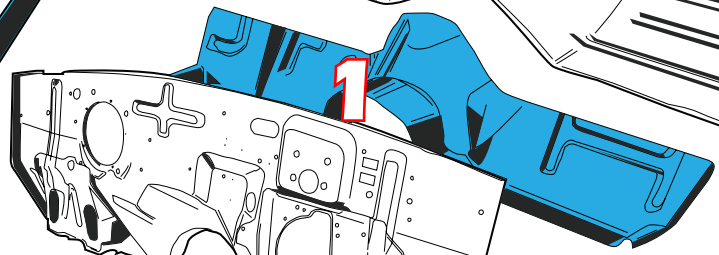
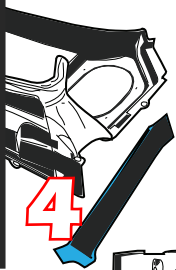
Reproduction OE style firewall for the Ford Galaxie,

Stamped from high quality OE gauge steel on our exclusive new tools. Each firewall features the correct shape, size, bends, holes, ribs and frame mounts, like original. EDP coated to help protect against rust and corrosion.

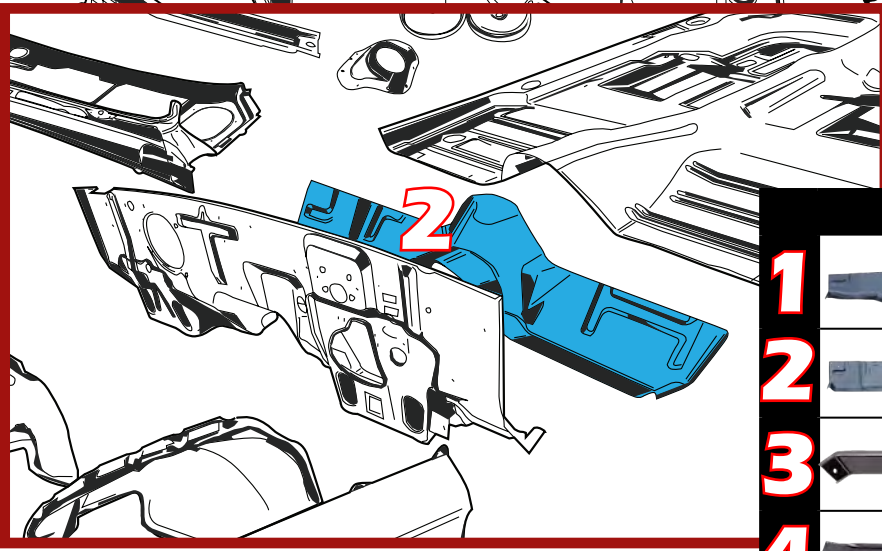
Item Code	Description
370-8961	Firewall - OE Style - 60-63 Galaxie; 61-63 Monterey Marauder
370-8964	Firewall - 64 Galaxie Monterey Marauder



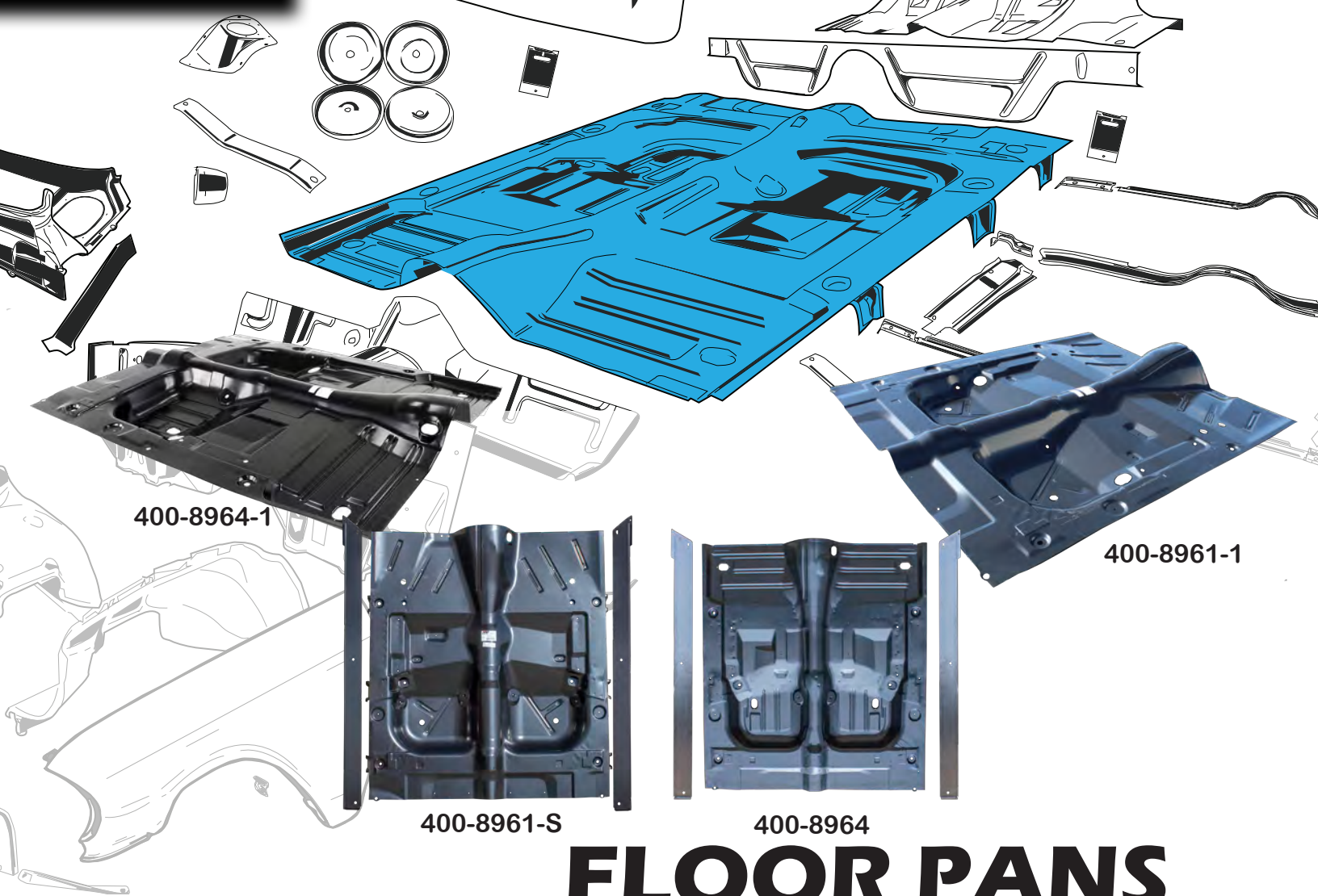
372-8963-L



372-8963-R



	Item Code	Description
1	370-8964-1	Lower Firewall (Toe Board) Patch - 64 Galaxie, Marauder, Monterey
2	371-8963	Lower Firewall (Toe Board) Patch - 63 Ford Galaxie; Mercury Marauder
3	372-8963-L	Rocker Panel to Firewall Brace - LH - 63 Ford Galaxie
4	372-8963-R	Rocker Panel to Firewall Brace - RH - 63 Ford Galaxie



400-8964-1

400-8961-1

400-8961-S

400-8964

FLOOR PANS

Reproduction OE style floor pan assembly for the Ford Galaxie. Correct for all hardtop, sedan and station wagon models. This part is not for use on convertible models.

Floor pan assembly includes our full OE style floor pan, floor pan braces and inner rocker panels. Braces are welded in place. Inner rocker panels are shipped loose with the floor pan to allow for proper installation.

Stamped from high quality OE gauge steel on our exclusive new tools. All components feature the correct shape, size, bends, holes, ribs and curvature, like original. All parts arrive EDP coated to help protect against rust and corrosion.

Item Code	Description
400-8961	Floor Pan - OE Style w/ Braces - 60-63 Galaxie; 61-63 Monterey; 63 Marauder
400-8961-1	Floor Pan - OE Style - 60-63 Galaxie; 61-63 Monterey; 63 Marauder (Except Convertible)
400-8961-S	Floor Pan Assembly - OE Style w/ Braces & Inner Rockers - 60-63 Galaxie; 61-63 Monterey; 63 Marauder (Except Convertible)
400-8964	Floor Pan - OE Style w/ Braces & Inner Rockers - 64 Galaxie Marauder Monterey (Exc. Wagon & Convertible)
400-8964-1	Floor Pan - OE Style - 64 Ford Galaxie Marauder Monterey (Exc. Wagon & Convertible)

COMPLETE FLOOR SOLUTION



FIREWALLS

OE style firewall for the 1964 Ford Galaxie, 1964 Mercury Marauder & 1964 Mercury Monterey. Stamped from high quality OE gauge steel on our exclusive new tools. Each firewall features the correct shape, size, bends, holes, ribs and frame mounts, like original. EDP coated to help protect against rust and corrosion.

FLOOR PANS

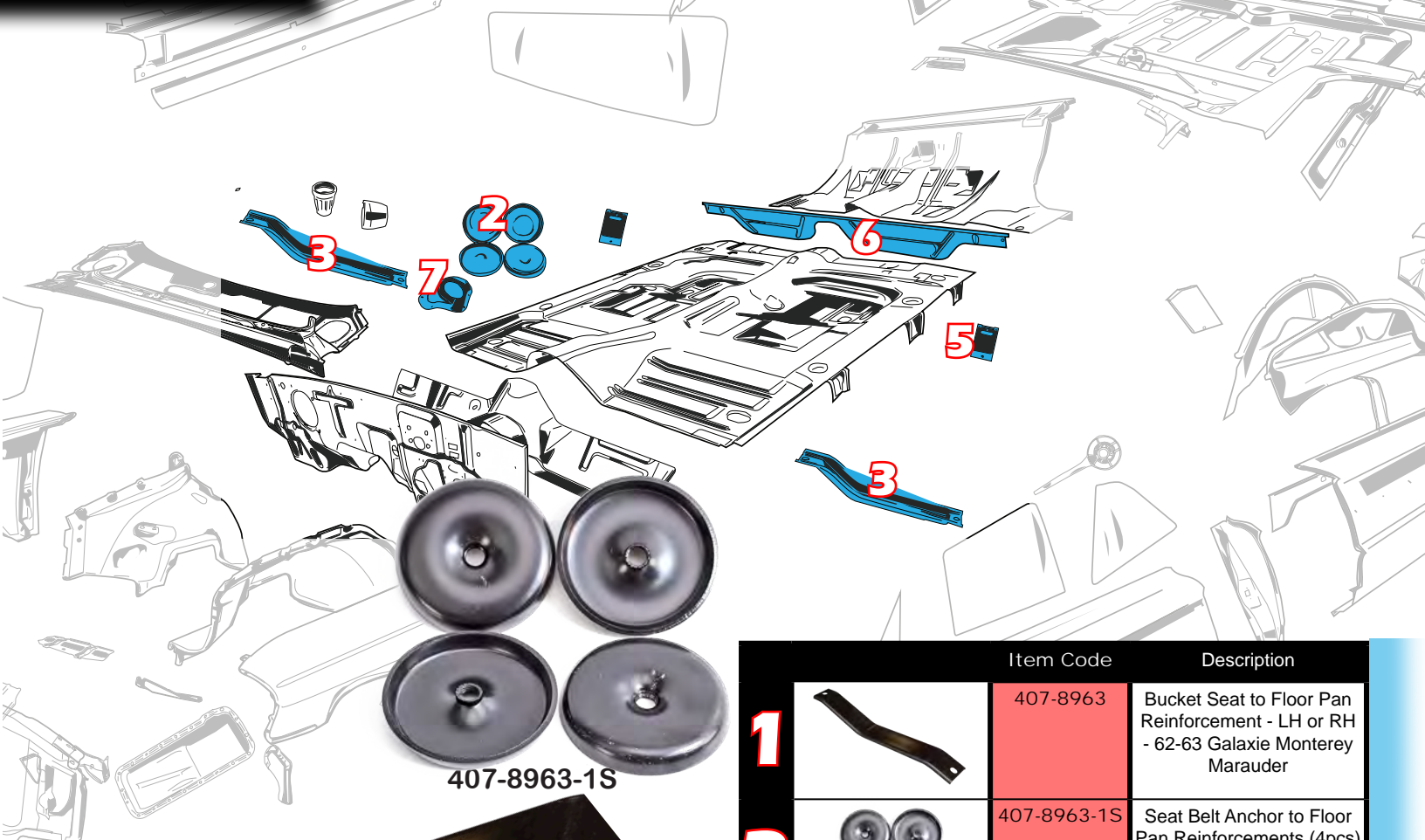
OE style floor pan assembly for the 1964 Ford Galaxie & Mercury Marauder / Monterey. Correct for all hardtop & sedan models. This part is not for use on station wagon or convertible models.

Floor pan assembly includes our full OE style floor pan, floor pan braces and inner rocker panels. Braces are welded in place. Inner rocker panels are shipped loose with the floor pan to allow for proper installation.

FIREWALL PATCH

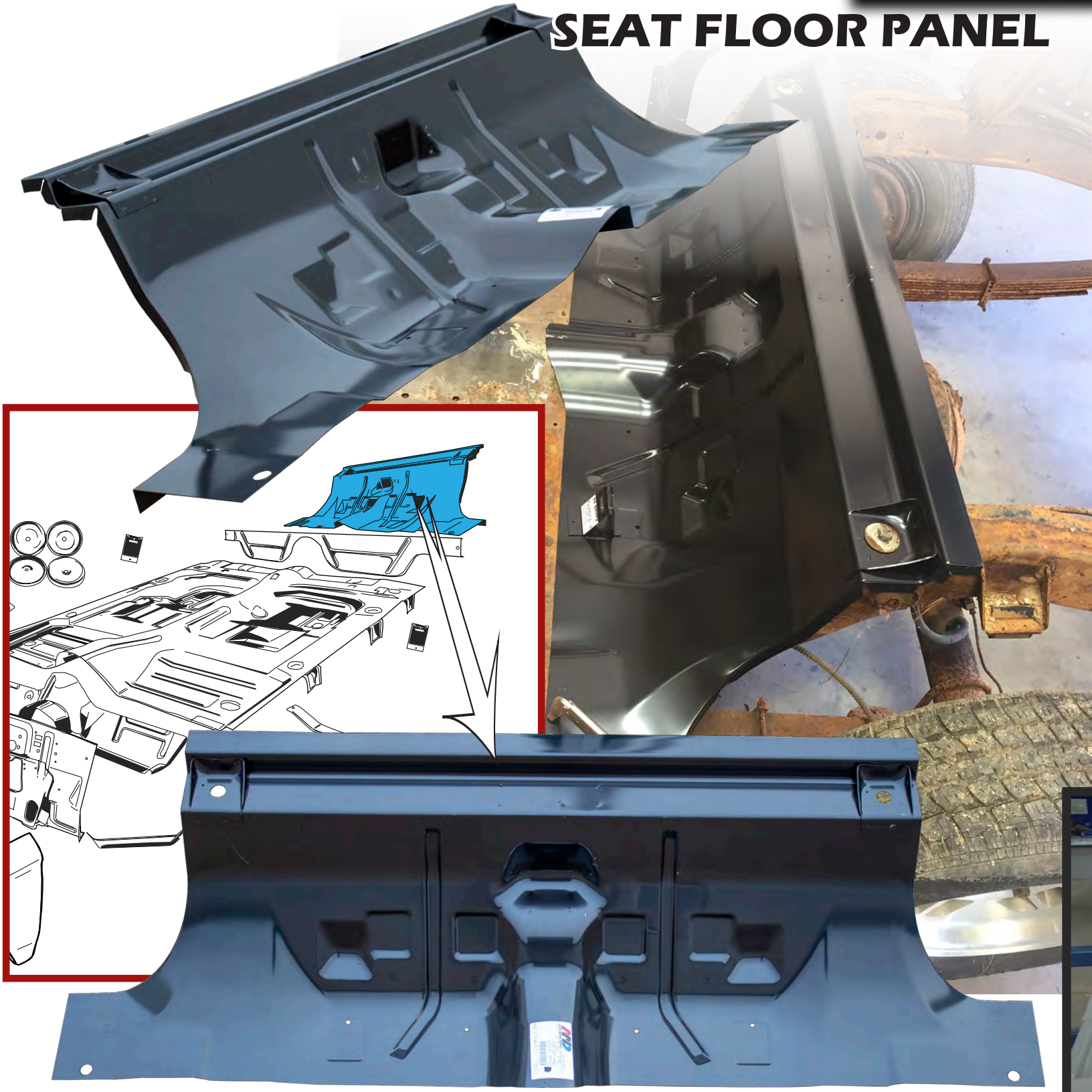


When designing the Galaxie, Ford produced the firewall with the front part of the floor as part of the firewall. We saw the need to produce a patch for guys not replacing the firewall but still need that front 2" of the floor when restoring these cars (an area that is almost always rusted). That is where our Firewall patch came in. This patch is made to replace the toeboard in situations where the firewall is in good shape. So when you're looking at repairs, you will need either the Complete Floor assembly and the Firewall or the Complete Floor assembly and the Firewall patch.



	Item Code	Description
1	407-8963	Bucket Seat to Floor Pan Reinforcement - LH or RH - 62-63 Galaxie Monterey Marauder
2	407-8963-1S	Seat Belt Anchor to Floor Pan Reinforcements (4pcs) - 62-65 Galaxie Monterey Marauder
3	407-8964	Bucket Seat to Floor Pan Reinforcement - LH or RH - 64 Galaxie Monterey Marauder
4	411-8963-1	Rear Seat Riser / Support - 63 Galaxie Marauder Fastback
5	411-8963-2	Under Seat Retainer Bracket - LH or RH - 63-64 Galaxie Marauder Fastback
6	411-8964-1	Rear Seat Riser / Support - 64 Galaxie Marauder Fastback
7	415-8963	Floor Pan M/T Tunnel Hump - 62-63 Galaxie Monterey Marauder
8	415-8964	Shifter Tunnel Hump - Manual Transmission - 64 Galaxie Monterey Marauder

SEAT FLOOR PANEL

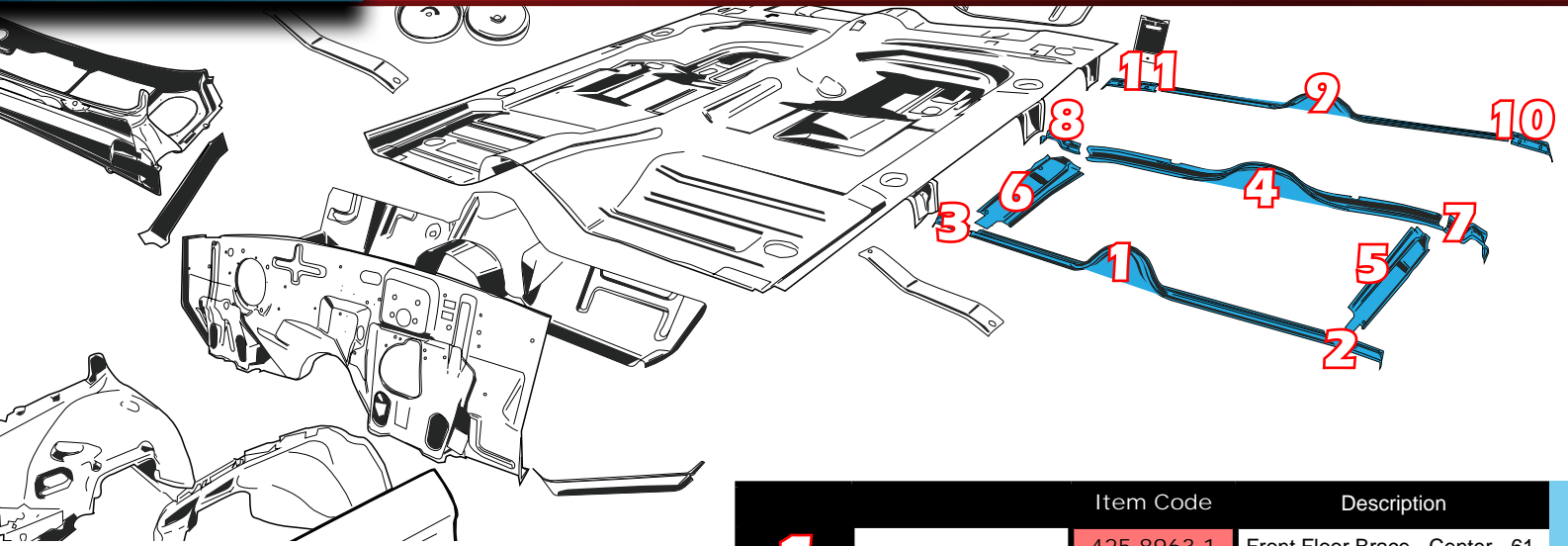


Item Code

420-8963

Description

Under Rear Seat Floor Panel - 61-64 Galaxie Monterey Marauder (Except Wagon)



425-8963-1L 425-8963-1 425-8963-1R



425-8963-22L

425-8963-22R

425-8963-2



425-8963-2L

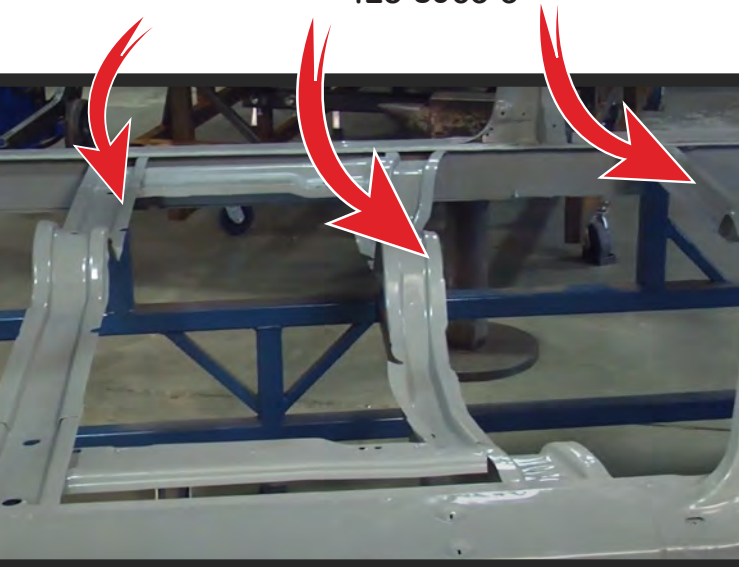
425-8963-2R



425-8963-3L

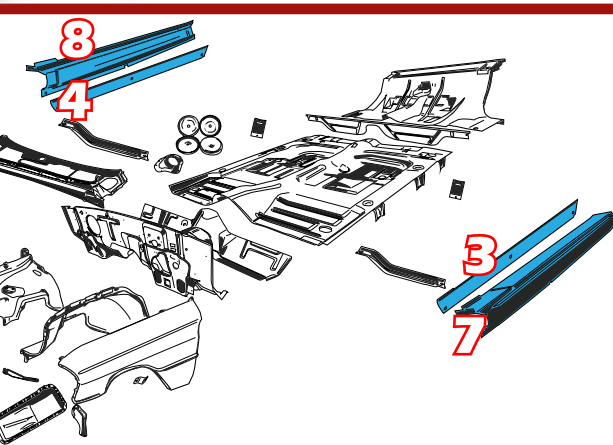
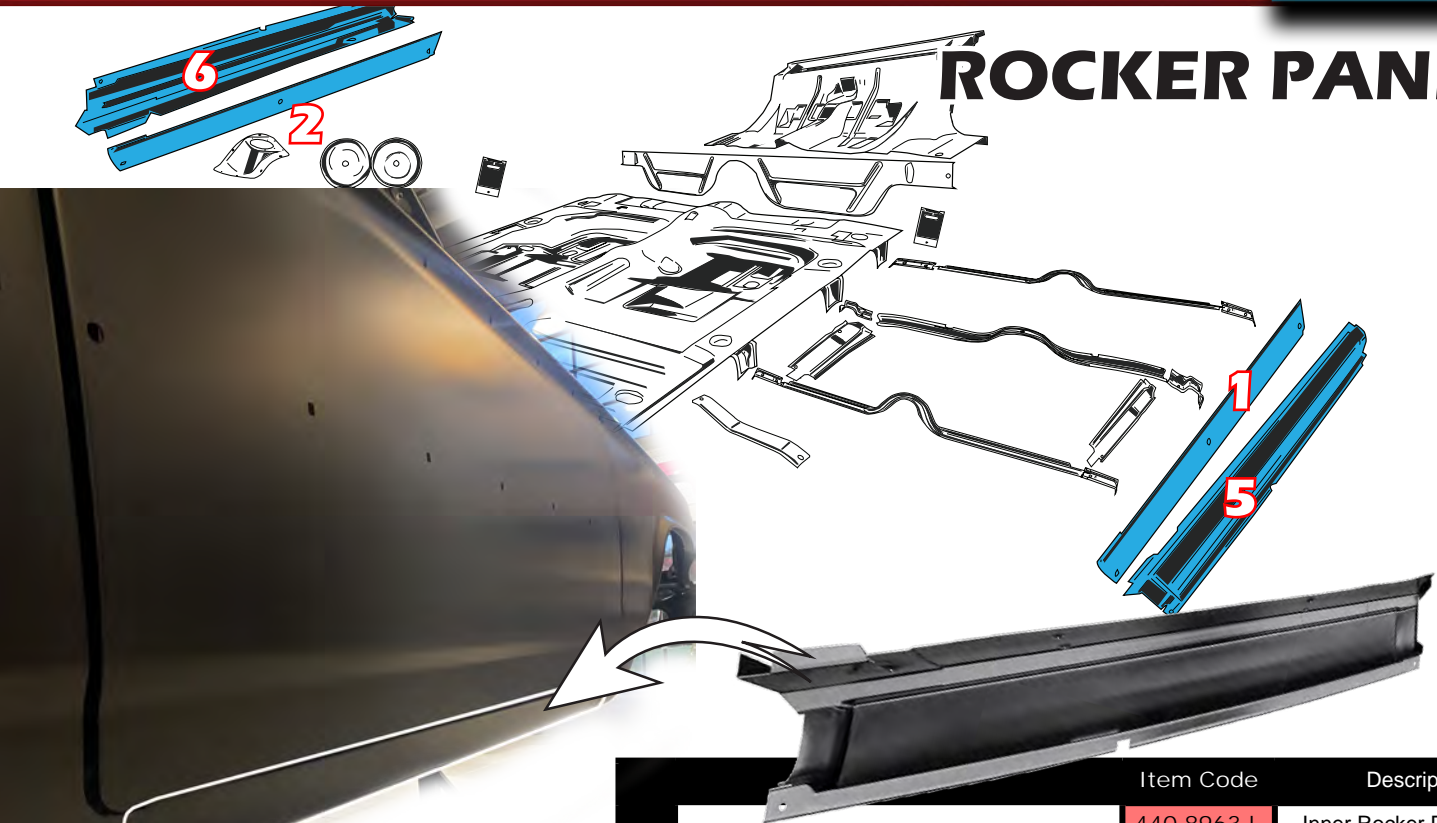
425-8963-3

425-8963-3R



	Item Code	Description
1	425-8963-1	Front Floor Brace - Center - 61-63 Galaxie Monterey Marauder
2	425-8963-1L	Front Floor Brace - LH - 61-63 Ford Galaxie; 61-63 Mercury Monterey; 63 Marauder
3	425-8963-1R	Front Floor Brace - RH - 61-63 Ford Galaxie; 61-63 Mercury Monterey; 63 Marauder
4	425-8963-2	Mid Floor Brace - Center - 61-63 Ford Galaxie; 61-63 Mercury Monterey; 63 Marauder
5	425-8963-22L	Floor Brace Reinforcement - LH - 61-63 Galaxie Monterey Marauder
6	425-8963-22R	Floor Brace Reinforcement - RH - 61-63 Galaxie Monterey Marauder
7	425-8963-2L	Mid Floor Brace - LH - 61-63 Galaxie Monterey Marauder
8	425-8963-2R	Mid Floor Brace - RH - 61-63 Galaxie Monterey Marauder
9	425-8963-3	Rear Floor Brace - Center - 61-63 Ford Galaxie; 61-63 Mercury Monterey; 63 Marauder
10	425-8963-3L	Rear Floor Brace - LH - 61-63 Ford Galaxie; 61-63 Mercury Monterey; 63 Marauder
11	425-8963-3R	Rear Floor Brace - RH - 61-63 Ford Galaxie; 61-63 Mercury Monterey; 63 Marauder
12	425-8963-S	Floor Brace Set (11pcs) - 60-63 Ford Galaxie; 61-63 Mercury Monterey; 63 Marauder

ROCKER PANELS



	Item Code	Description
1	440-8963-L	Inner Rocker Panel, LH - 61-63 Galaxie Monterey Marauder
2	440-8963-R	Inner Rocker Panel, RH - 61-63 Galaxie Monterey Marauder
3	440-8964-L	Inner Rocker Panel, LH - 64 Galaxie Monterey Marauder
4	440-8964-R	Inner Rocker Panel, RH - 64 Galaxie Monterey Marauder
5	450-8961-L	Outer Rocker Panel - LH - 61-63 Ford Galaxie, Monterey; 63 Marauder 2DR & Convertible (Except Wagon)
6	450-8961-R	Outer Rocker Panel - RH - 61-63 Ford Galaxie, Monterey; 63 Marauder 2DR & Convertible (Except Wagon)
7	450-8964-L	Outer Rocker Panel - LH - 64 Galaxie 2DR; 64 Monterey / Marauder 2dr
8	450-8964-R	Outer Rocker Panel - RH - 64 Galaxie 2DR; 64 Monterey / Marauder 2dr



458-8961-1

Item Code	Description
458-8961-1	Steering Column Collar - 63-66 Galaxie Monterey Marauder; 61-72 F-Series Pickup; w/ Floor Shift M/T
X460-8564-1	Wiper Switch Knob - 64 Galaxie



X460-8564-1

STEERING COLUMN COLLAR

Reproduction steering column collar. Correct for models equipped with a floor shifter. This item is ideal for customers converting from a column shift transmission to a floor shift transmission.





DOOR SKINS

Reproduction door skin for the Ford Galaxie. Correct for all 2 door models.

Stamped from high quality OE gauge steel on our exclusive new tools. Each door skin features the correct shape, size, body lines and holes, like original. This item arrives EDP coated to help protect against rust and corrosion.

LH = driver side, RH = passenger side.

Item Code	Description
510-8963-L	Door Skin - LH - 63 Ford Galaxie 2DR; 63-64 Marauder, Monterey 2DR
510-8963-R	Door Skin - RH - 63 Ford Galaxie 2DR; 63-64 Marauder, Monterey 2DR
510-8964-L	Door Skin - LH - 64 Ford Galaxie 2DR
510-8964-R	Door Skin - RH - 64 Ford Galaxie 2DR



X535-8571-L



X535-8571-R



X540-4568-1



X540-8963



X540-4568-L



X540-4568-R



X540-4573



X540-8068-68

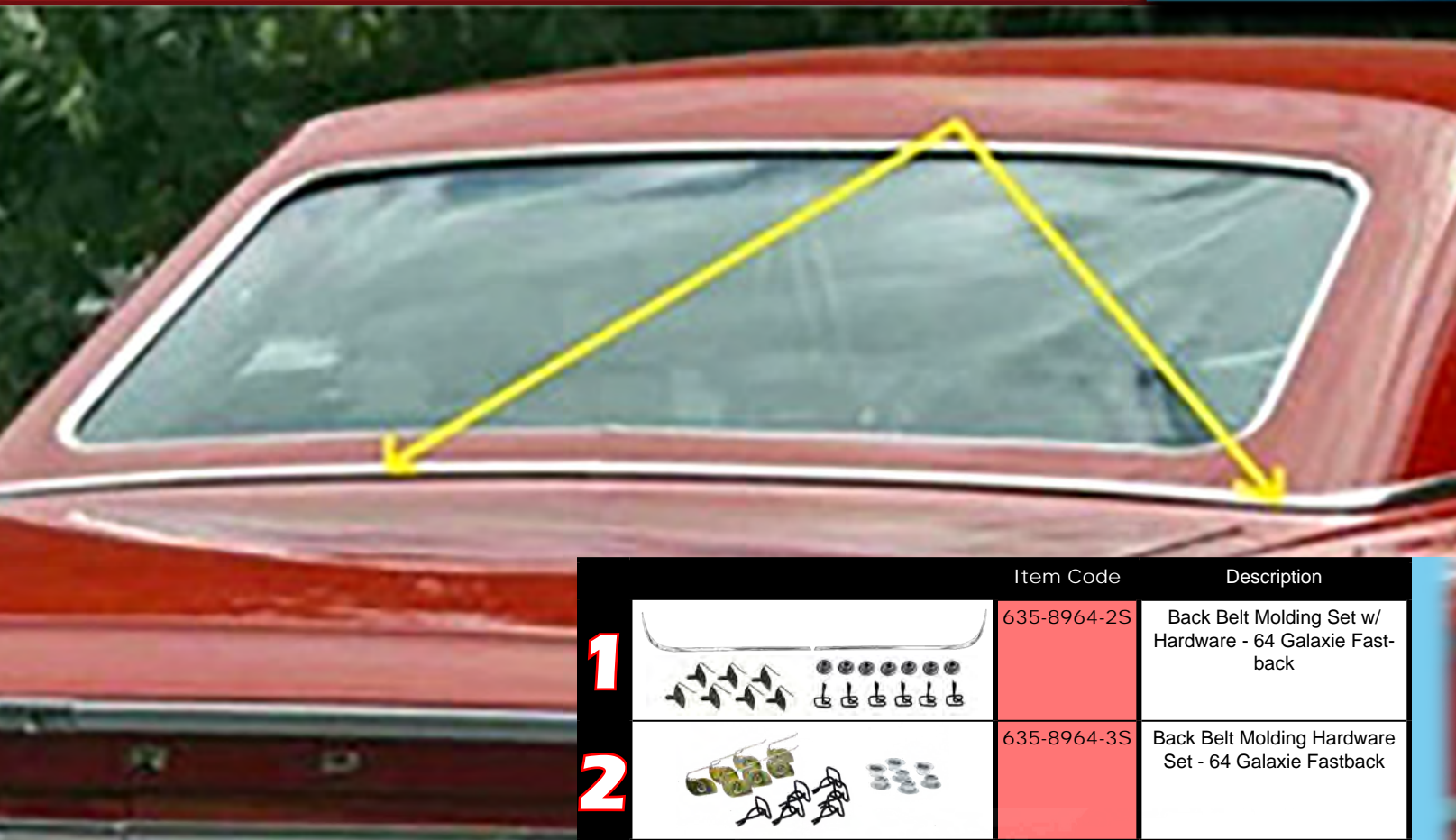


X546-8068-681A



X546-8068-682

	Item Code	Description
1	X535-8571-L	Door Latch - LH - 71-78 Galaxie LTD Monterey Marquis
2	X535-8571-R	Door Latch - RH - 71-78 Galaxie LTD Monterey Marquis
3	X540-4568-1	Interior Front Door Handle Cup - Black - LH or RH - 68 Galaxie LTD Monterey Marquis
4	X540-4568-L	Interior Door Handle - Front - LH - 68 Galaxie / LTD Monterey Marquis
5	X540-4568-R	Interior Door Handle - Front - RH - 68 Galaxie / LTD Monterey Marquis
6	X540-8963	Inside Door Handle - Clip-on Style - LH or RH (Sold as Each) - 63-64 Galaxie Monterey
7	X546-4573	Window Crank Handle w/ Clear Knob - 73-77 Galaxie LTD Monterey Marquis
8	X546-8068-68	Window Crank Handle w/o Knob - 68-69 Galaxie / LTD / Monterey / Marquis
9	X546-8068-681A	Window Crank Handle Knob - Black - 68-72 Montego Galaxie LTD Monterey Marquis
10	X546-8068-682	Window Crank Handle Screw Cover - Brushed Aluminum - 68-72 Galaxie / LTD / Monterey / Marquis



	Item Code	Description
1	635-8964-2S	Back Belt Molding Set w/ Hardware - 64 Galaxie Fastback
2	635-8964-3S	Back Belt Molding Hardware Set - 64 Galaxie Fastback

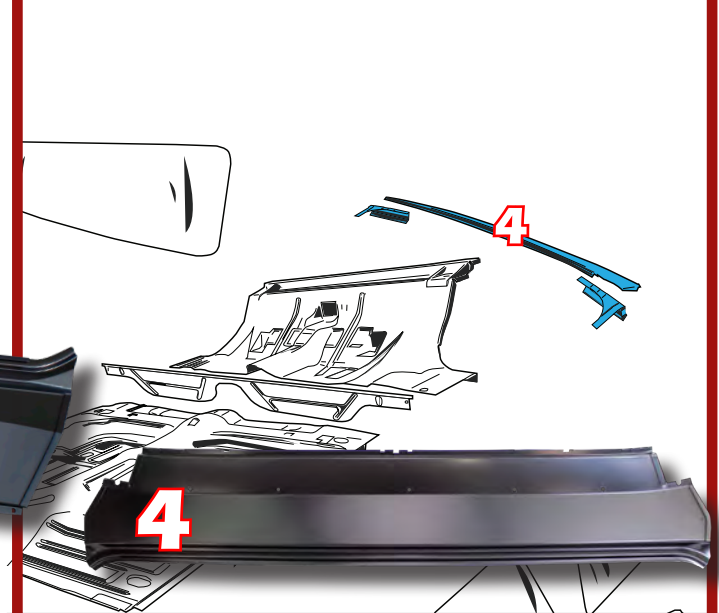
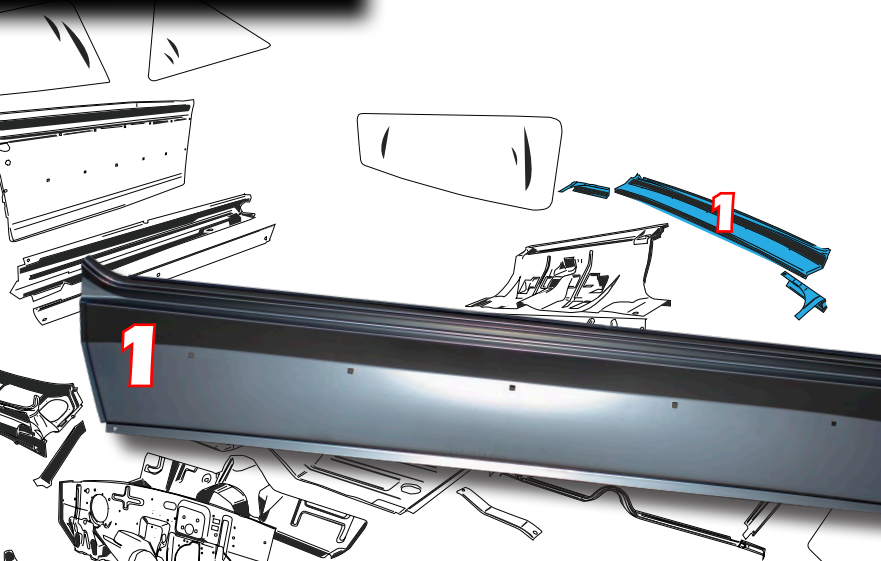


X646-8069-1



X646-8567-1

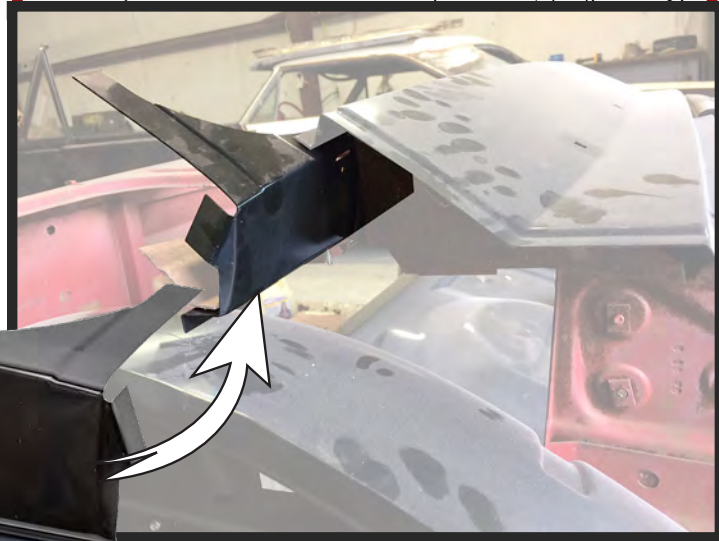
Item Code	Description
X646-8069-1	Sun Visor Arm and Bracket, LH or RH - 69-78 Galaxie LTD Monterey Marquis (except Convertible)
X646-8567-1	Sun Visor Arm and Bracket, LH or RH - 67-68 Galaxie LTD Monterey Marquis (except Convertible)



DECK FILLER PANELS

Reproduction deck filler panel for the 1963 Ford Galaxie Fastback models. Badly needed on most vehicles, this piece installs between the back glass and the deck (trunk) lid.

Stamped from high quality OE gauge steel on our exclusive new tools. Each deck filler panel features correct bends, tabs, curves and holes, like original. Arrives EDP coated to help protect against rust and corrosion.



	Item Code	Description
1	650-8963	Deck Filler Panel - 63 Galaxie Fastback
2	650-8963-1L	Deck Filler Extension - LH - 63-64 Ford Galaxie
3	650-8963-1R	Deck Filler Extension - RH - 63-64 Ford Galaxie
4	650-8964	Deck Filler Panel - 64 Ford Galaxie Fastback

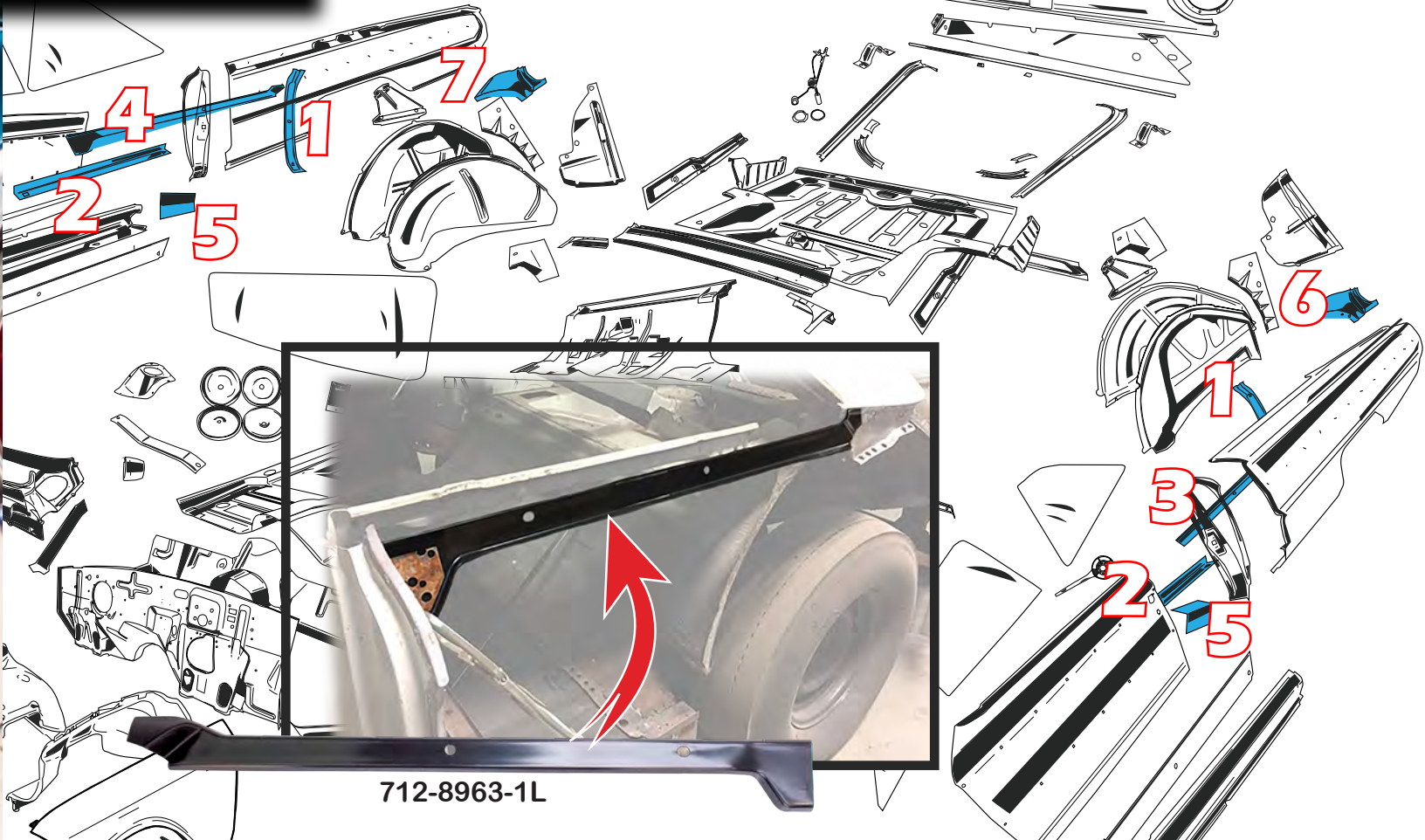


QUARTER PANELS

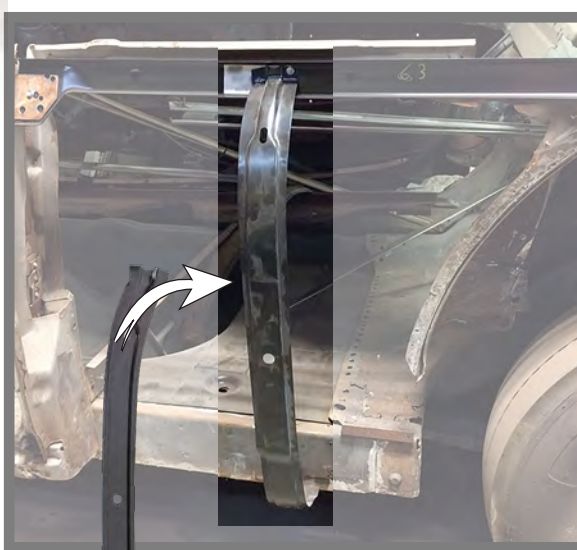
New from Auto Metal Direct, OE style quarter panels for the Ford Galaxie fastback models. Made on new AMD tools, each quarter panel is stamped from high quality, OE gauge steel and features correct as original shapes, holes and contours. All AMD quarter panels arrive EDP coated to protect against rust and corrosion.

LH = driver side, RH = passenger side

Item Code	Description
700-8963-L	Quarter Panel - OE Style - LH - 63 Ford Galaxie Fastback
700-8963-R	Quarter Panel - OE Style - RH - 63 Ford Galaxie Fastback
700-8964-L	Quarter Panel - OE Style - LH- 64 Ford Galaxie Fastback
700-8964-R	Quarter Panel - OE Style - RH- 64 Ford Galaxie Fastback

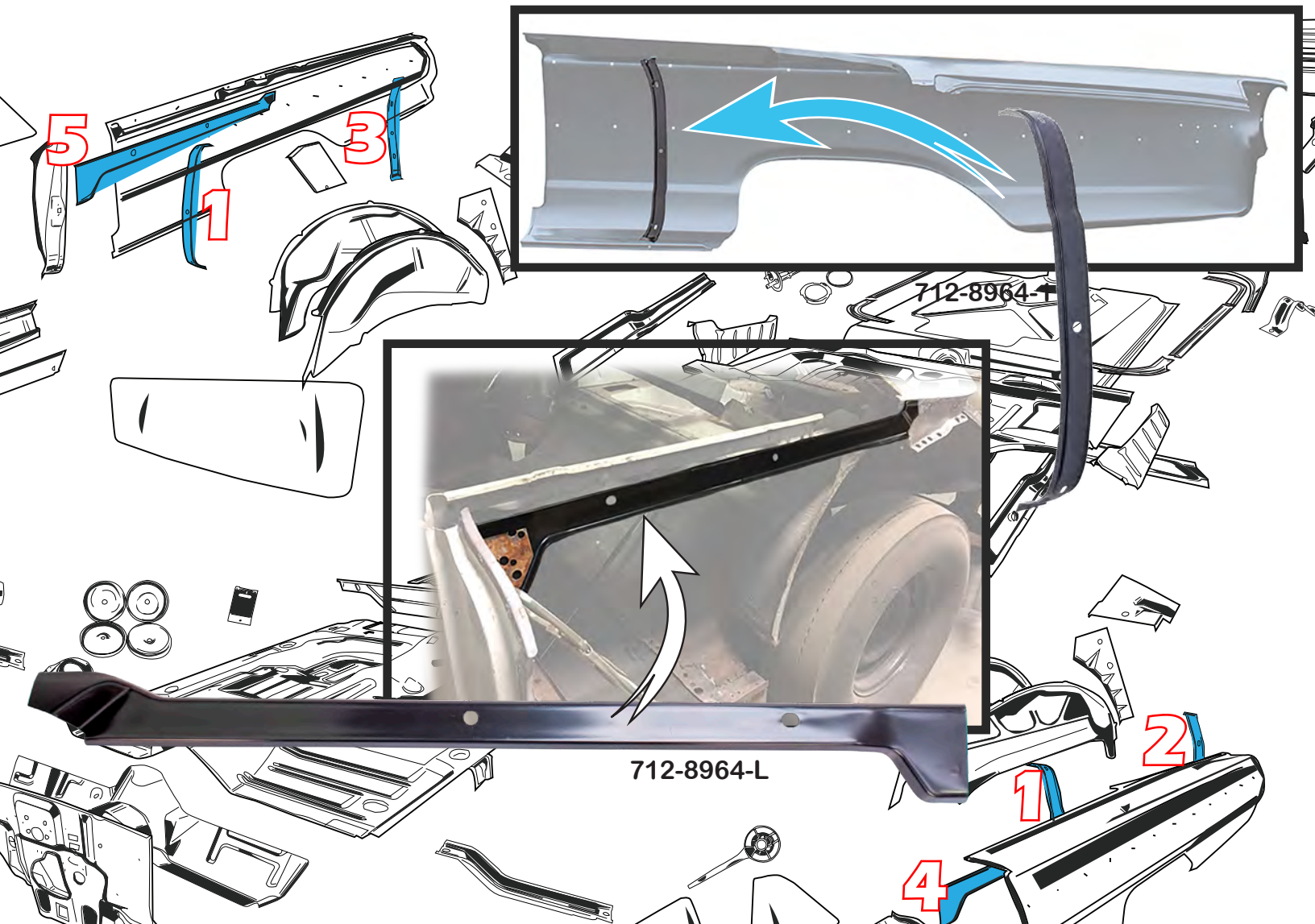


712-8963-1L



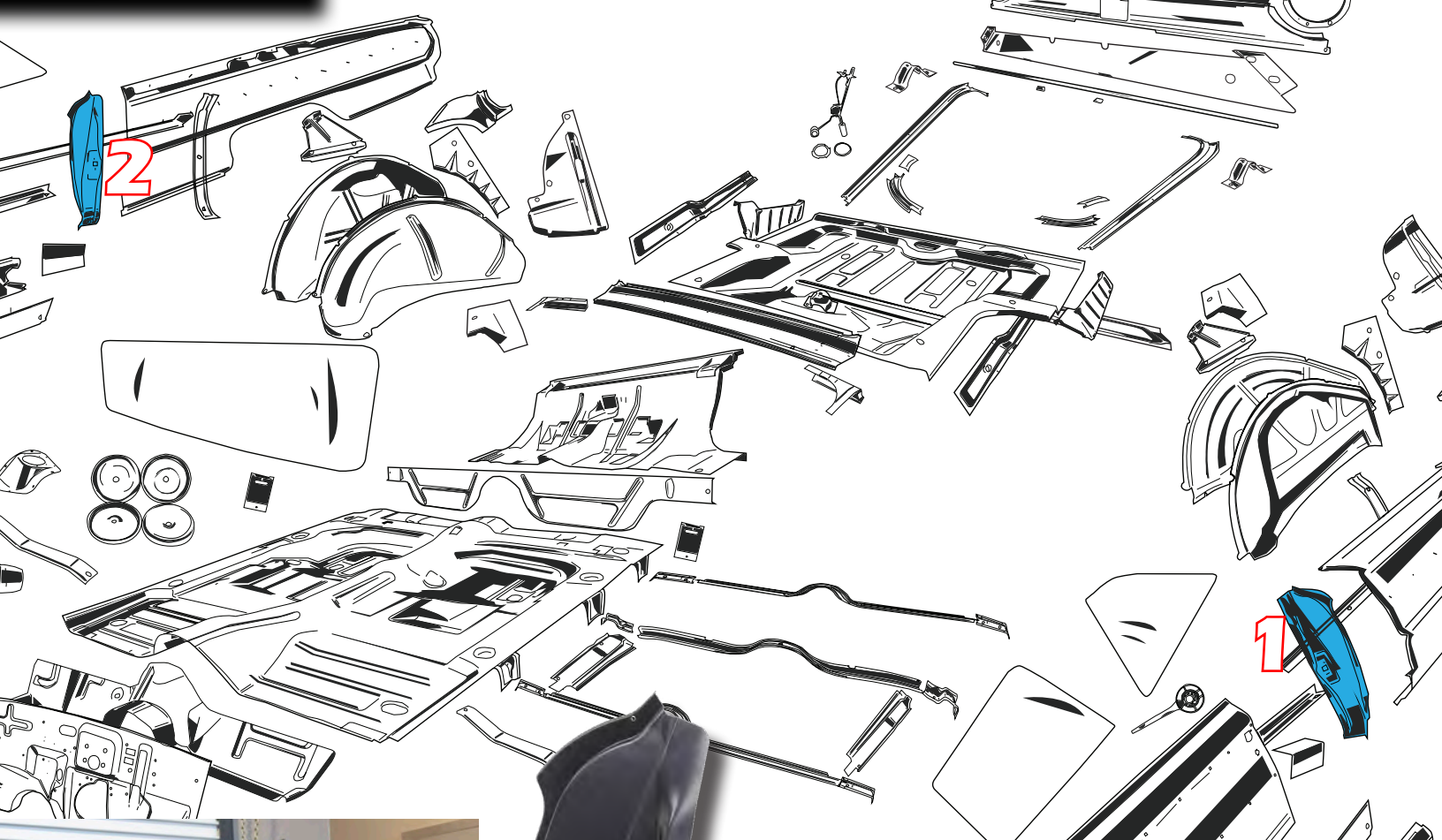
712-8963

	Item Code	Description
1	712-8963	Quarter Panel Brace - LH or RH - 63 Ford Galaxie
2	712-8963-1	Rear Lower Door Panel Bracket - Long - LH or RH - 63 Ford Galaxie
3	712-8963-1L	Quarter Panel Reinforcement - Upper - LH - 63 Ford Galaxie
4	712-8963-1R	Quarter Panel Reinforcement - Upper - RH - 63 Ford Galaxie
5	712-8963-2	Rear Lower Door Panel Bracket - Short - LH or RH - 63 Ford Galaxie
6	785-8963-L	Quarter Panel Extension - LH - 63 Galaxie (Except Wagon)
7	785-8963-R	Quarter Panel Extension - RH - 63 Galaxie (Except Wagon)



1
2
3
4
5

Item Code	Description
712-8964-1	Front Quarter Panel Brace - LH or RH - 64 Galaxie
712-8964-2L	Rear Quarter Panel Brace - LH - 64 Galaxie
712-8964-2R	Rear Quarter Panel Brace - RH - 64 Galaxie
712-8964-L	Quarter Panel Reinforcement - Upper - LH - 64 Ford Galaxie
712-8964-R	Quarter Panel Reinforcement - Upper - RH - 64 Ford Galaxie



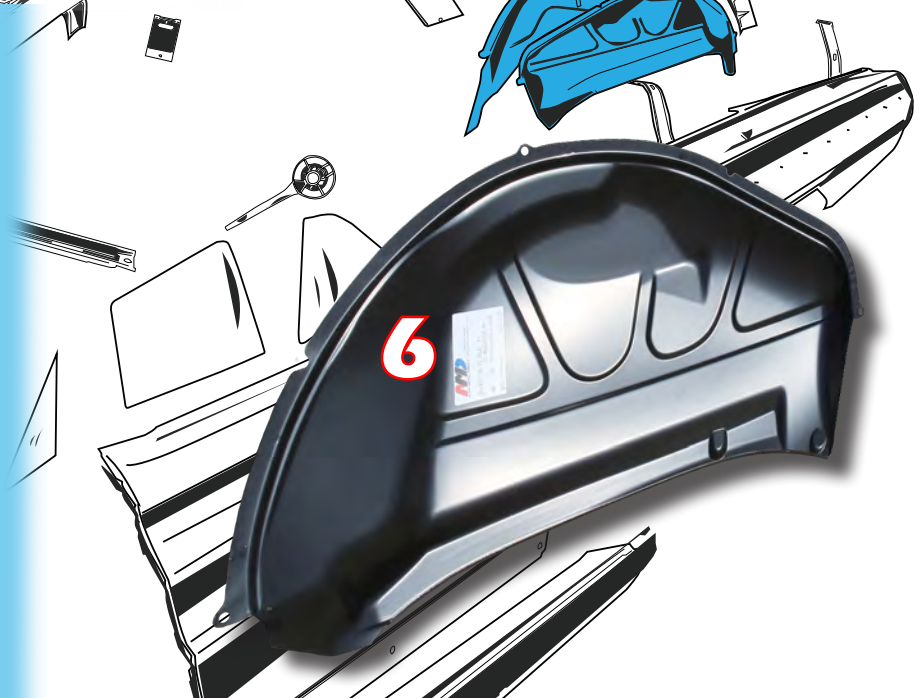
750-8964-R

	Item Code	Description
1	750-8963-L	Door Jamb Lock Pillar - LH - 63 Galaxie 2DR; 63-64 Marauder Monterey 2DR
2	750-8963-R	Door Jamb Lock Pillar - RH - 63 Galaxie 2DR; 63-64 Marauder Monterey 2DR
3	750-8964-L	Door Jamb Lock Pillar - LH - 64 Galaxie
4	750-8964-R	Door Jamb Lock Pillar - RH - 64 Galaxie 2DR



- 1
- 2
- 3
- 4
- 5
- 6
- 7
- 8

	Item Code	Description
	760-8963-L	Inner Wheelhouse - LH - 60-63 Ford Galaxie
	760-8963-R	Inner Wheelhouse - RH - 60-63 Ford Galaxie
	760-8964-L	Inner Wheelhouse - LH - 64 Ford Galaxie
	760-8964-R	Inner Wheelhouse - RH - 64 Ford Galaxie
	770-8963-L	Outer Wheelhouse - LH - 61-63 Ford Galaxie; 63 Mercury Marauder
	770-8963-R	Outer Wheelhouse - RH - 61-63 Ford Galaxie; 63 Mercury Marauder
	770-8964-L	Outer Wheelhouse - LH - 64 Ford Galaxie
	770-8964-R	Outer Wheelhouse - RH - 64 Ford Galaxie

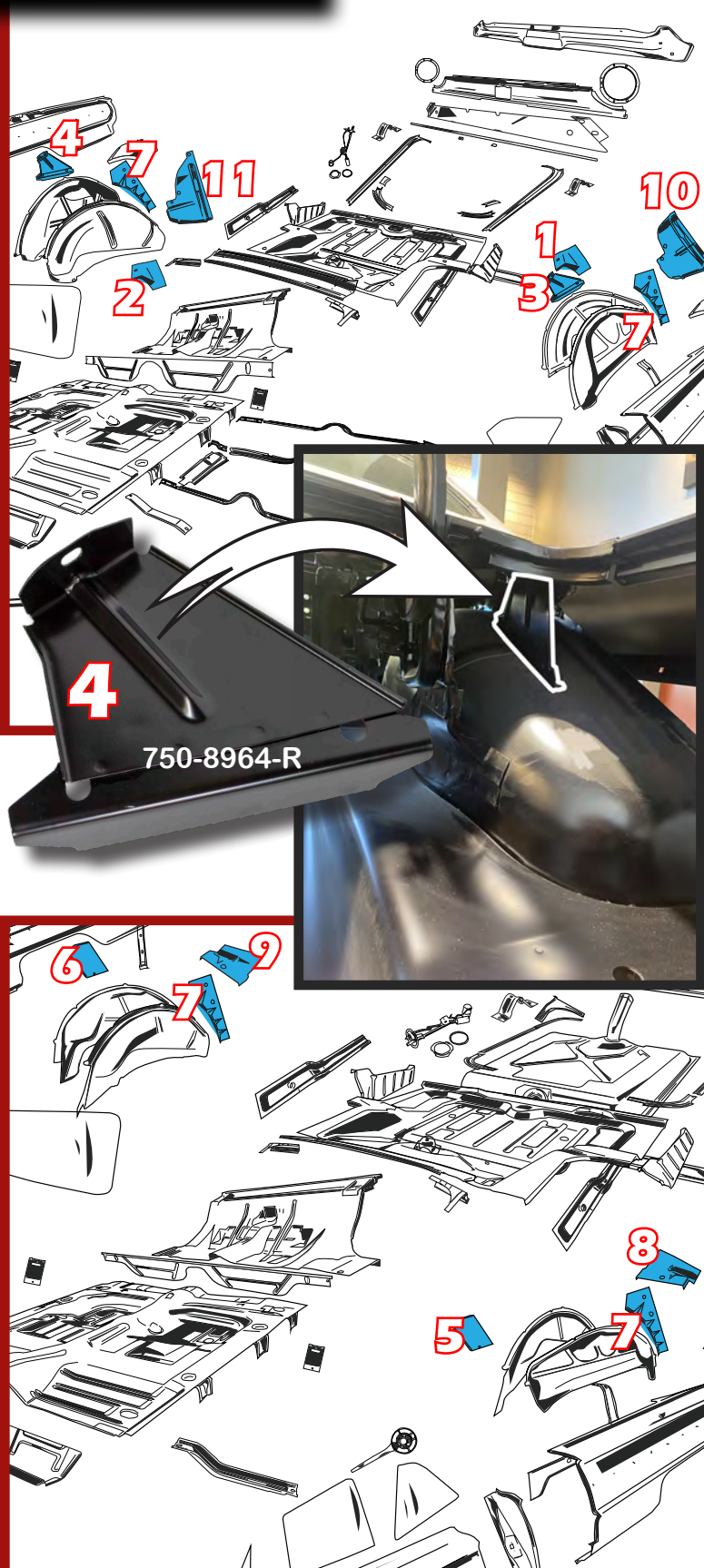


WHEELHOUSES

Reproduction OE style inner wheelhouses for the Ford Galaxie. Made our exclusive new tools, each wheelhouse is stamped from high quality OE gauge steel and features correct as original shapes and contours.

Wheelhouses arrive EDP coated to protect against rust and corrosion.

LH = driver side, RH = passenger side



	Item Code	Description
1	762-8963-1L	FD Galaxie 63 Wheelhouse to Trunk Supt Bracket LH
2	762-8963-1R	FD Galaxie 63 Wheelhouse to Trunk Supt Bracket RH
3	762-8963-L	Inner Wheelhouse to Deck Filler Support - LH - 63 Ford Galaxie
4	762-8963-R	Inner Wheelhouse to Deck Filler Support - RH - 63 Ford Galaxie
5	762-8964-L	Quarter Panel to Inner Wheelhouse Support - LH - 64 Ford Galaxie
6	762-8964-R	Quarter Panel to Inner Wheelhouse Support - RH - 64 Ford Galaxie
7	764-8963-L	Trunk to Wheelhouse Reinforcement - LH - 63-64 Galaxie
8	764-8964-2L	Wheelhouse to Trunk Support Bracket - LH - 64 Galaxie
9	764-8964-2R	Wheelhouse to Trunk Support Bracket - RH - 64 Galaxie
10	770-8963-1L	Outer Wheelhouse Extension - LH - 63 Ford Galaxie; Mercury Marauder
11	770-8963-1R	Outer Wheelhouse Extension - RH - 63 Ford Galaxie; Mercury Marauder



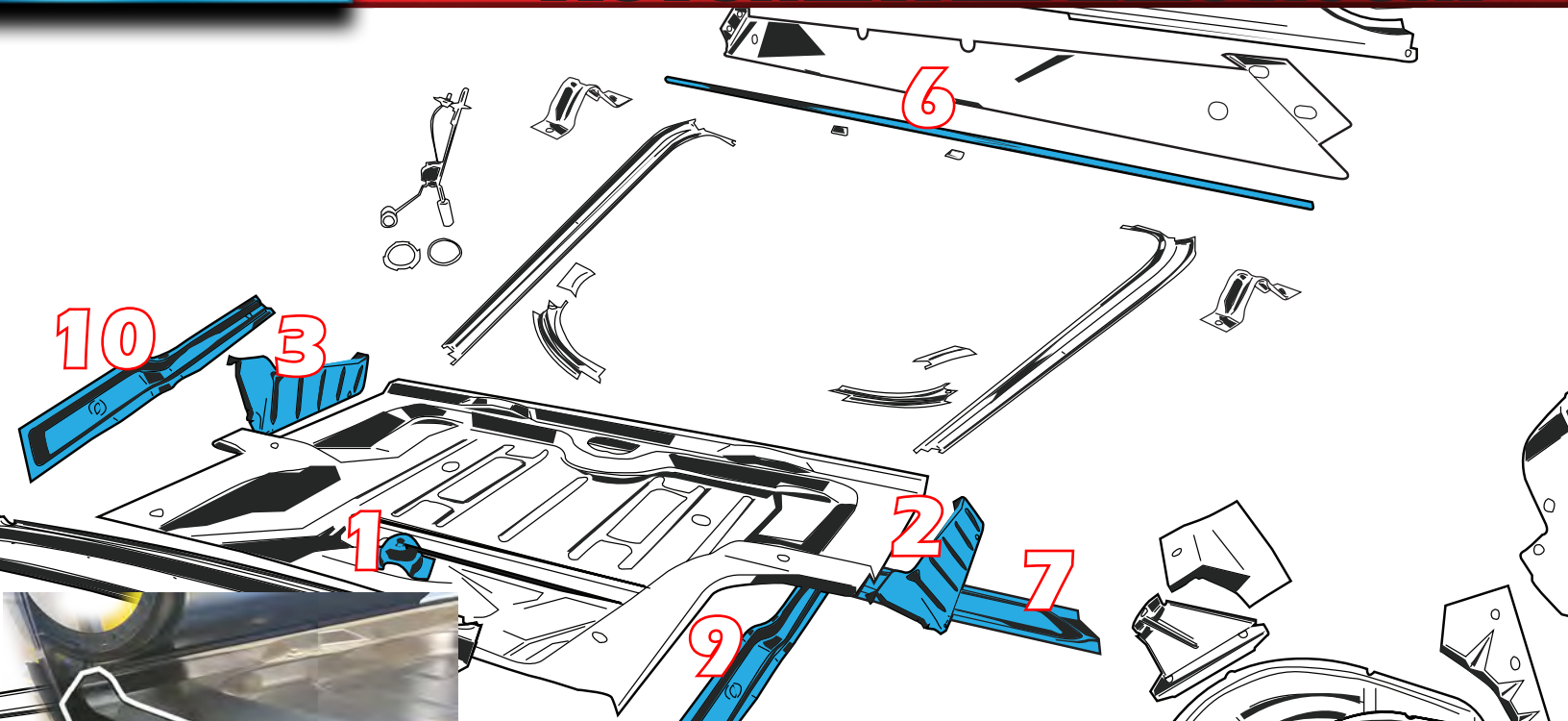
TRUNK FLOORS

Reproduction OE style trunk floor with braces for the Ford Galaxie & Mercury Monterey. Correct for all models except station wagon & sedan delivery.

Made on our exclusive new tools, each trunk floor is stamped from high quality OE gauge steel and features the correct shape, size, bends, holes and ribs. Trunk floor braces and rear cross brace are already welded-on.

Like all AMD parts, this item arrives EDP coated to help protect against rust and corrosion.

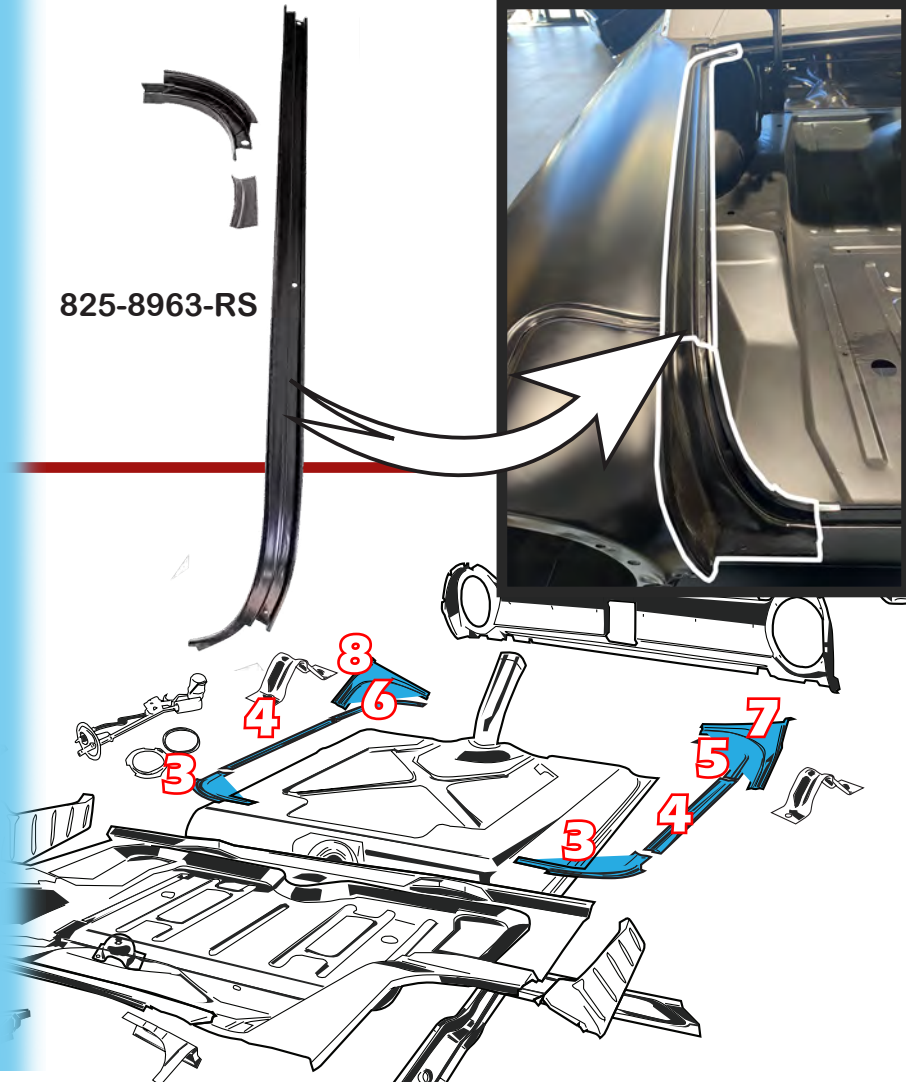
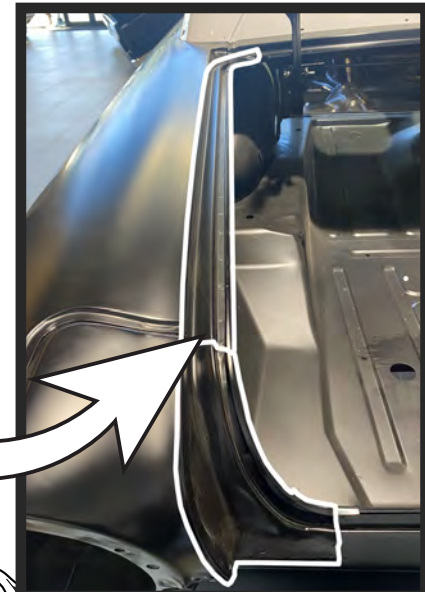
Item Code	Description
800-8963	Trunk Floor - OE Style w/ Braces - 61-63 Ford Galaxie; Mercury Monterey (Except Wagon & Sedan Delivery)
800-8964	Trunk Floor - OE Style w/ Braces - 64 Galaxie



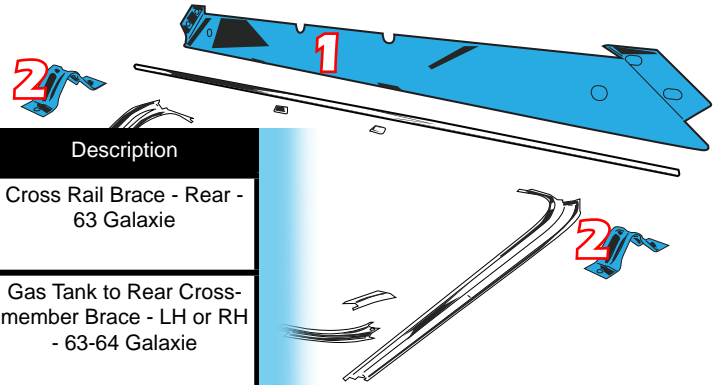
	Item Code	Description
1	817-8963	Spare Tire Mount - 63-64 Galaxie
2	840-8963-L	Trunk Floor Extension - LH - 63 Galaxie (Except Wagon)
3	840-8963-R	Trunk Floor Extension - RH - 63 Galaxie (Except Wagon)
4	840-8964-L	Trunk Floor Extension - LH - 64 Galaxie (Except Wagon)
5	840-8964-R	Trunk Floor Extension - RH - 64 Galaxie (Except Wagon)
6	855-8963	Trunk Molding Set w/ Hardware - 63 Galaxie (Except Wagon)
7	870-8963	Trunk Floor Cross Brace - Rear - 61-64 Galaxie (Except Wagon & Sedan Delivery)
8	870-8963-1	Trunk Floor Brace Set - Front - 61-64 Galaxie
9	870-8963-1L	Trunk Floor Brace - Front - LH - 61-64 Galaxie
10	870-8963-1R	Trunk Floor Brace - Front - RH - 61-64 Galaxie

TRUNK GUTTERS

	Item Code	Description
1	825-8963-LS	Trunk Gutter Set (3pcs) - LH - 63 Ford Galaxie
2	825-8963-RS	Trunk Gutter Set (3pcs) - RH - 63 Ford Galaxie
3	825-8964-1	Trunk Gutter - Front - LH or RH - 64 Galaxie (exc. Wagon or Convertible)
4	825-8964-2	Trunk Gutter - Center - LH or RH - 64 Galaxie (Except Wagon)
5	825-8964-3L	Trunk Gutter - Rear - LH - 64 Galaxie (exc. Wagon)
6	825-8964-3R	Trunk Gutter - Rear - RH - 64 Galaxie (exc. Wagon)
7	825-8964-4L	Quarter Panel to Taillight Panel Brace - LH - 64 Galaxie
8	825-8964-4R	Quarter Panel to Taillight Panel Brace - RH - 64 Galaxie
9	825-8964-S	Trunk Gutter Set (6pcs) - 64 Galaxie (exc. Wagon or Convertible)



	Item Code	Description
1	871-8963	Cross Rail Brace - Rear - 63 Galaxie
2	871-8963-1	Gas Tank to Rear Cross-member Brace - LH or RH - 63-64 Galaxie



GAS TANKS



SS SENDING UNITS



891-8960-3

891-8960-5

Item Code	Description
881-8960-3	Gas Tank Sending Unit - 3/8" w/o Return Line - 60-64 Galaxie; 61-64 Monterey; 63-64 Marauder 4V or 8V V8; except Wagon
881-8960-5	Gas Tank Sending Unit - GALAXIE '60-'64
890-8964	Gas Tank - 64 Ford Galaxie

TAILLIGHT PANELS



900-8963

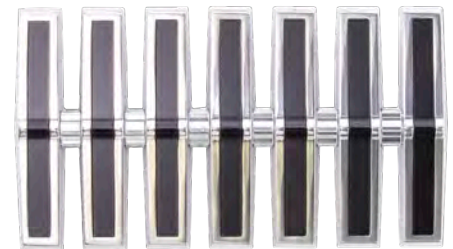
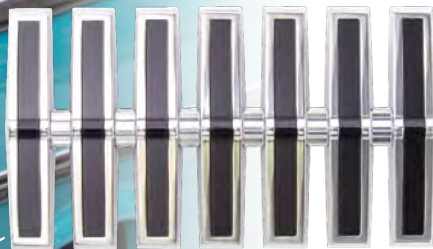


900-8964



900-8963-1

Item Code	Description
900-8963	Taillight Panel - 63 Galaxie (Except Station Wagon)
900-8963-1	Taillight Bezel Reinforcement - LH or RH - 63 Galaxie
900-8964	Taillight Panel - 64 Galaxie (Except Wagon)



Item Code	Description
999-8963-71P	Quarter Panel Emblems - "Fishbone" - LH/RH Pair - 63 Galaxie



990-8964

990-8963

970-8964-S

REAR BUMPERS

AMD bumpers are made from heavy gauge steel and feature OE quality chrome finish. All parts feature, depending on application, correct holes for turn signals or back-up lamps. Installation is fast and easy as all parts are designed to be a direct bolt-on utilizing OE bumper brackets and hardware.

All AMD bumpers are covered by a 5 year limited rust-through warranty.

Item Code	Description
970-8964-S	Rear Bumper Bracket Set - 64 Galaxie
990-8963	Rear Bumper - 63 Galaxie
990-8964	Rear Bumper - 64 Galaxie
990-8965	Rear Bumper - 65-66 Galaxie



550-8963-T



560-8963-T



660-8963-T



795-8963-T

GLASS

New from Auto Metal Direct, high quality reproduction glass for 63-64 Ford Galaxie fastback models. Made our exclusive new tools, all AMD reproduction glass features the correct shape, contour and thickness as original.

Choose from clear or OE style green tint.

Item Code	Description
380-8963-C	Windshield - Clear - 63-64 Galaxie Marauder Monterey 2/4DR Hardtop & Convertible
380-8963-T	Windshield - Green Tint - 63-64 Galaxie Marauder Monterey 2/4DR Hardtop & Convertible
550-8963-C	Door Glass - Clear - LH or RH - 63-64 Ford Galaxie Fastback
550-8963-T	Door Glass - Green Tint - LH or RH - 63-64 Ford Galaxie Fastback
560-8963-C	Vent Glass - Clear - LH or RH - 63-64 Ford Galaxie Fastback
560-8963-T	Vent Glass - Green Tint - LH or RH - 63-64 Ford Galaxie Fastback
660-8963-C	Back Glass - Clear - 63-64 Ford Galaxie Fastback
660-8963-T	Back Glass - Green Tint - 63-64 Ford Galaxie Fastback
795-8963-C	Quarter Glass - Clear - LH or RH - 63-64 Ford Galaxie Fastback
795-8963-T	Quarter Glass - Green Tint - LH or RH - 63-64 Ford Galaxie Fastback

AUTOMETALDIRECT.COM

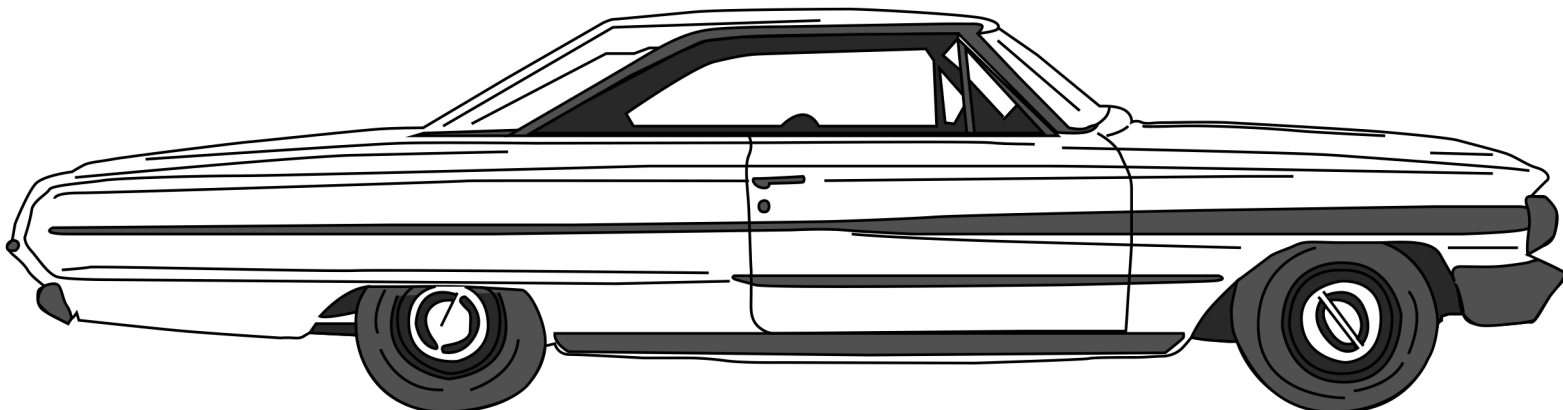


VISIT OUR WEBSITE WWW.AUTOMETALDIRECT.COM | 866.393.0313

INDEX

Description	Page
Oil Pan	11
Outer Rocker Panel	22
Outer Wheelhouse	32
Outer Wheelhouse Extension	33
Quarter Glass	41
Quarter Panel	28
Quarter Panel Brace	29
Quarter Panel Emblems	38
Quarter Panel Extension	29
Quarter Panel Reinforcement	29
Quarter Panel Reinforcement	30
Quarter Panel to Inner Wheelhouse Support	33
Quarter Panel to Taillight Panel Brace	36
Radiator Hold Down Bracket	13
Radiator Support	12
Radiator Support Bracket	13
Radiator Support Extension	13
Radiator Support Upper Extension	13
Rear Bumper	39
Rear Bumper Bracket Set	39
Rear Floor Brace	21
Rear Lower Door Panel Bracket	29
Rear Quarter Panel Brace	30
Rear Seat Riser / Support	19
Rocker Panel to Firewall Brace	16

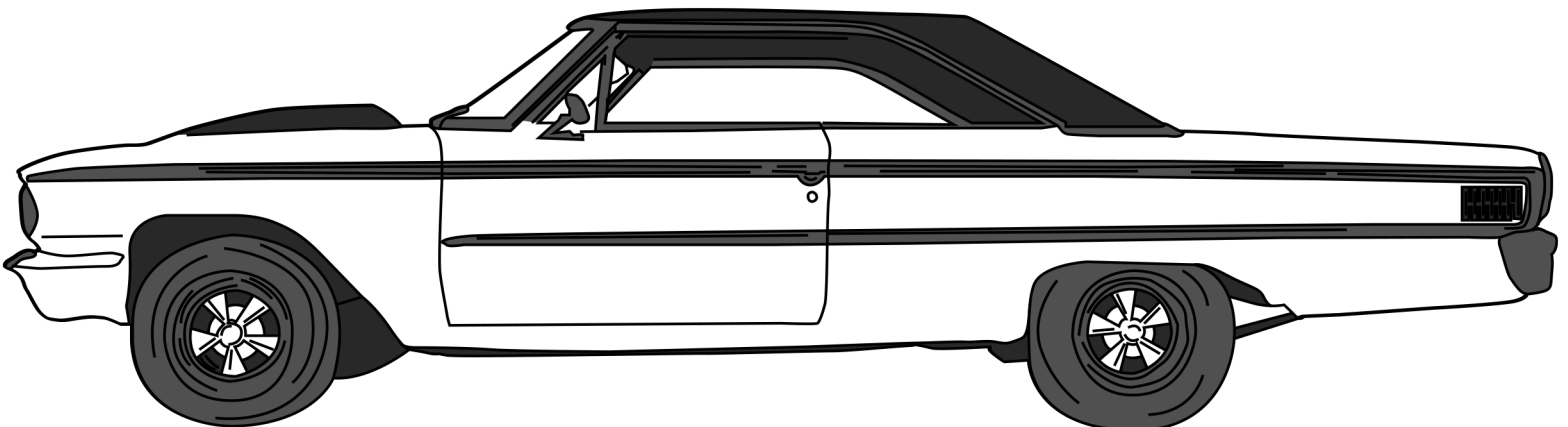
Description	Page
Seat Belt Anchor to Floor Pan Reinforcements	19
Shifter Tunnel Hump	19
Spare Tire Mount	35
Steering Column Collar	23
Sun Visor Arm and Bracket	26
Taillight Bezel Reinforcement	38
Taillight Panel	38
Trunk Floor	34
Trunk Floor Brace Set	35
Trunk Floor Cross Brace	35
Trunk Floor Extension	35
Trunk Gutter	36
Trunk Molding Set	35
Trunk to Wheelhouse Reinforcement	33
Under Rear Seat Floor Panel	20
Under Seat Retainer Bracket	19
Upper Cowl Panel	14
Vent Glass	41
Wheelhouse to Trunk Support Bracket	33
Wheelhouse to Trunk Support Bracket	33
Window Crank Handle	25
Window Crank Handle Knob	25
Window Crank Handle Screw Cover	25
Windshield	41
Wiper Switch Knob	23



INDEX

Description	Page
Back Belt Molding Set	26
Back Glass	41
Battery Hold Down Bracket	11
Battery Tray	11
Battery Tray Support	11
Bucket Seat to Floor Pan Reinforcement	19
Bucket Seat to Floor Pan Reinforcement	19
Cross Rail Brace - Rear - 63 Galaxie	37
Deck Filler Extension	27
Deck Filler Panel	27
Door Glass	41
Door Jamb Lock Pillar	31
Door Latch	25
Door Skin	24
Tech / How-To	40
Fan Guard	14
Fender to Radiator Support Brace	9
Firewall	15
Floor Brace Reinforcement	21
Floor Brace Set (11pcs)	21
Floor Pan	17
Floor Pan Assembly	17
Floor Pan M/T Tunnel Hump	19
Front Bumper	6
Front Bumper Bracket Set	7

Description	Page
Front Fender	8
Front Fender Splash Shield	9
Front Fender to Inner Fender Bracket	9
Front Floor Brace	21
Front Quarter Panel Brace	30
Gas Tank	37
Gas Tank Sending Unit	37
Gas Tank to Rear Crossmember Brace	37
Grille Support	7
Grille to Bumper Filler Panel	7
Headlamp Mounting Ring	9
Headlamp Support Apron	9
Hood Latch Support	11
Inner Fender	10
Inner Headlamp Support Bracket	9
Inner Rocker Panel	22
Inner Wheelhouse	32
Inner Wheelhouse to Deck Filler Support	33
Inside Door Handle	25
Interior Door Handle	25
Interior Front Door Handle Cup	25
Lower Cowl Side	14
Lower Firewall (Toe Board) Patch	16
Lower Inner Cowl Plenum	14
Mid Floor Brace	21





www.AUTOMETALDIRECT.com
3348 Gateway Centre Pkwy • Gainesville, Ga • 30507 | 888.256.4624