

66-67 FAIRLANE



After years of only offering the small-block 221, 260, or 289 V8 (except for the very limited edition thunderbolt and Comet AF/X drag cars), Ford and Mercury finally designed the Fairlane, Comet, and Cyclone to accept the big-block FF, 390 V8. In '66, all GT models had the 390 ci 335 hp V8 as standard equipment. A very few '66 Fairlane GT's could have the 289 V8 as well as the 390 or 427 V8, and '67 comets could have the 427 V8 as well (very rare cars!). The Ranchero switched to the Fairlane platform for the first time in '67.

68-69 FAIRLANE/TORINO

For '68 the Torino and Cyclone offered a sleek fastbak roofline that added top end speed on the NASCAR tracks.

Dodge responded in '69 with the special Charger 500 models with a sleek front end and a fiberglass plug filling in the back window, so Ford and Mercury responded with the awesome '69 Talladega and Cyclone Spoiler II with their own flush front end styling, which then prompted Dodge to craft the wild Charger Daytona with aero front end and wild rear wing. On the street, the 427 V8 was detuned to 390 hp but only available with automatic 428

Cobra Jet rated at a detuned 335hp. In '69, the high performance Torino Cobra and Cyclone CJ 428 were first offered.



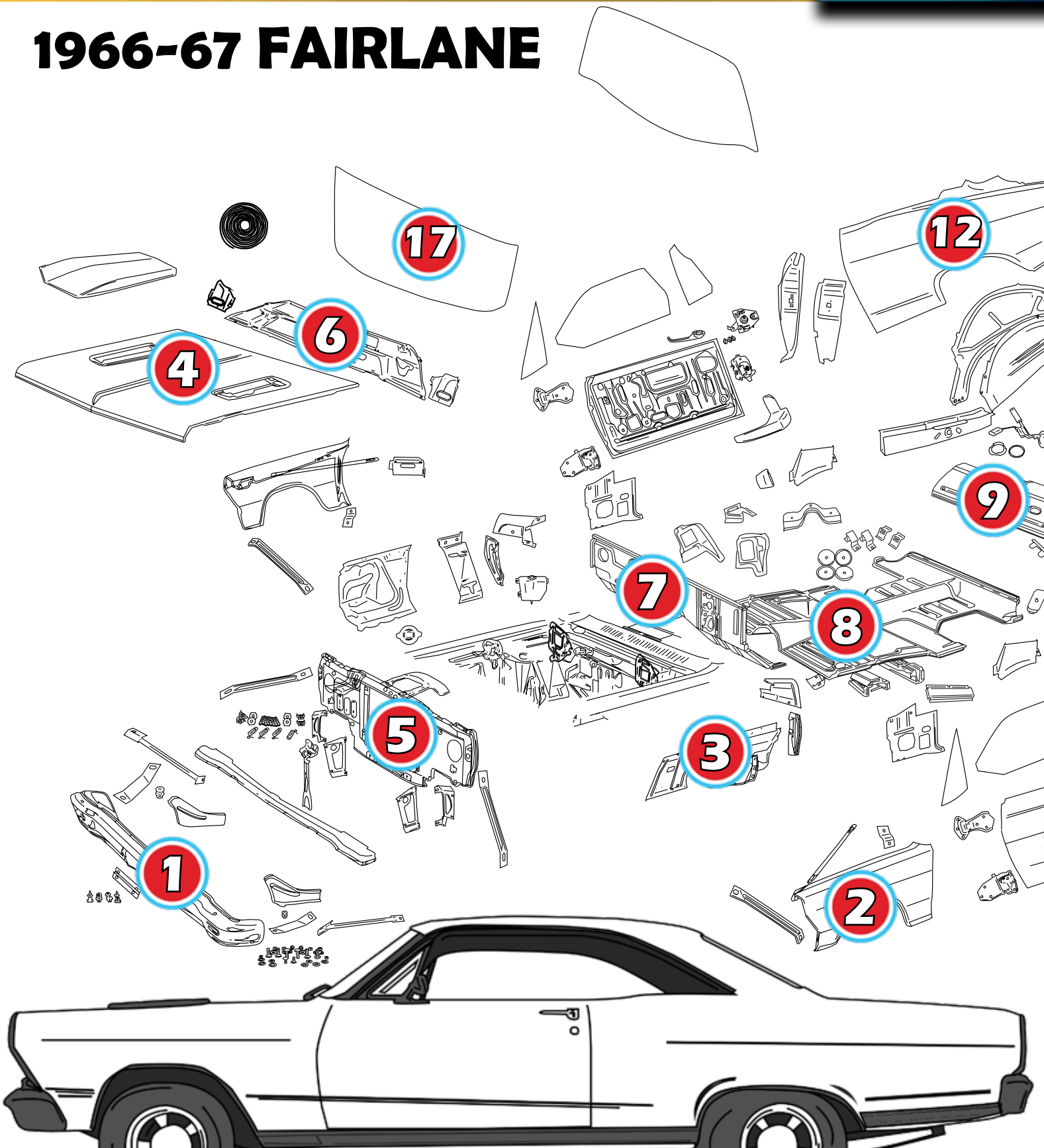
70-71 TORINO

In '70, the 429 Cobra-Jet was offered with or without Ram Air, and the awesome Drag Pack was available which turned them into the 427 Super Cobra-Jet.

Cobra and Spoiler models were continued. This was the pinnacle of Ford Mid-Size Performance!

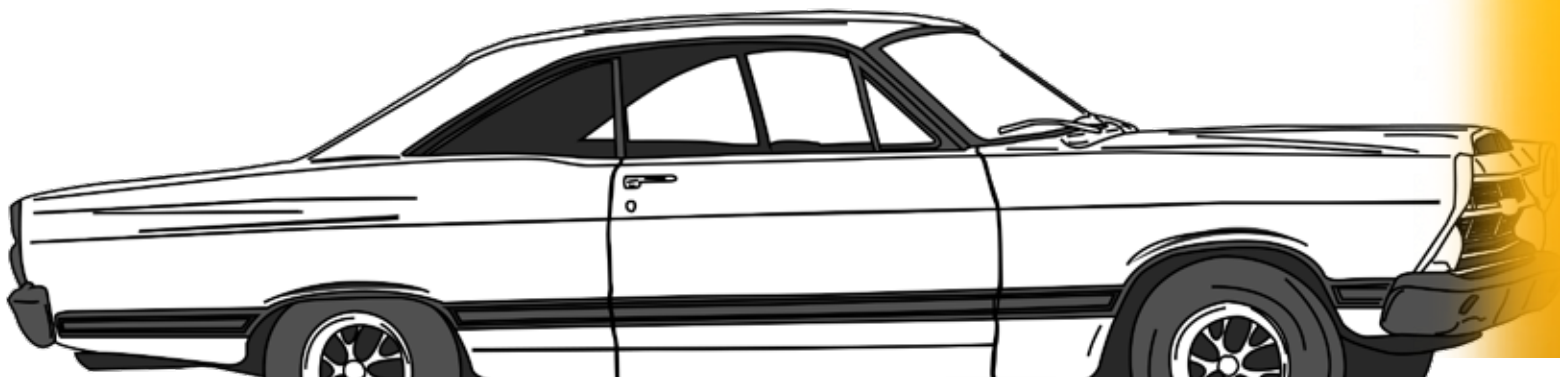
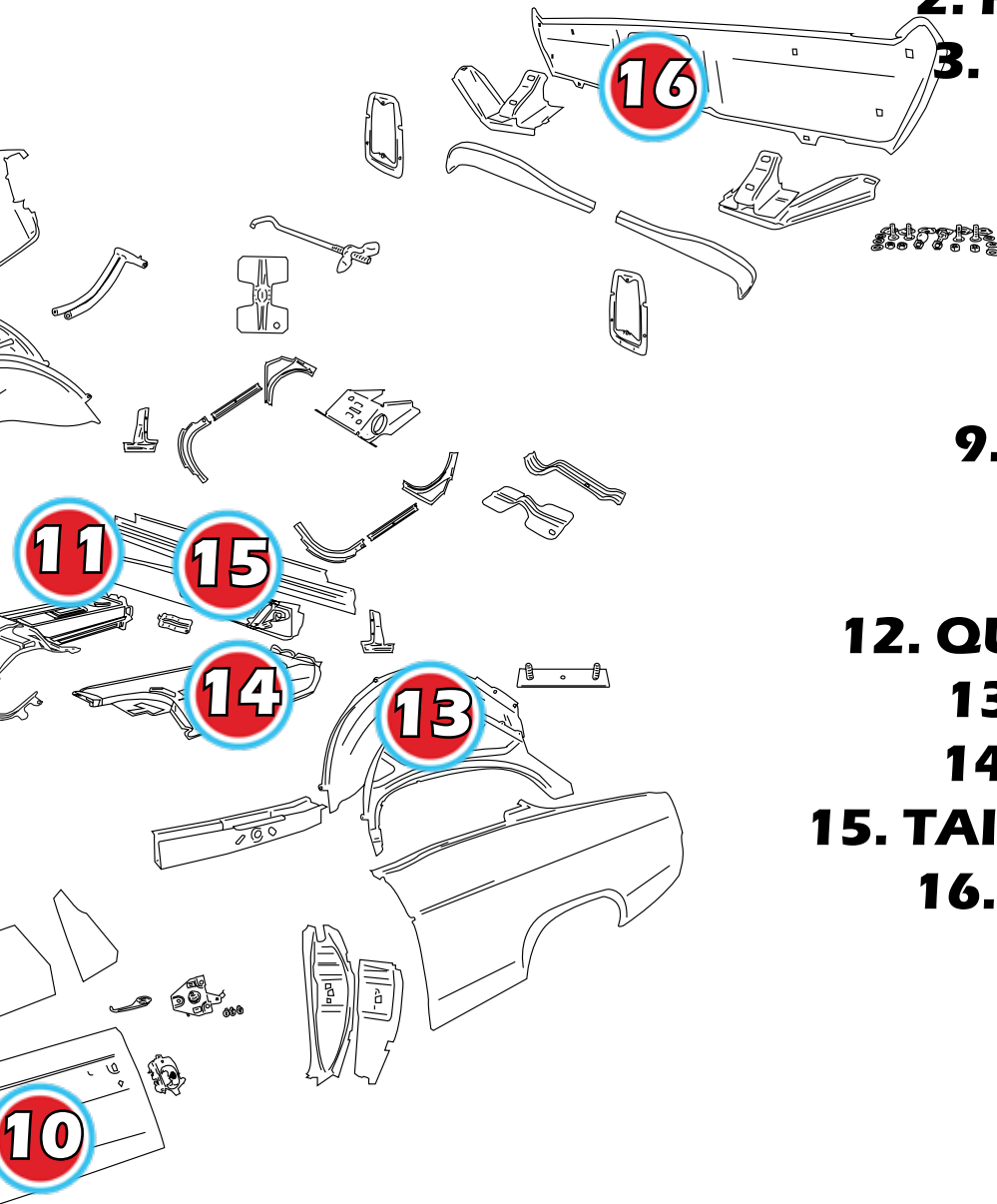


1966-67 FAIRLANE



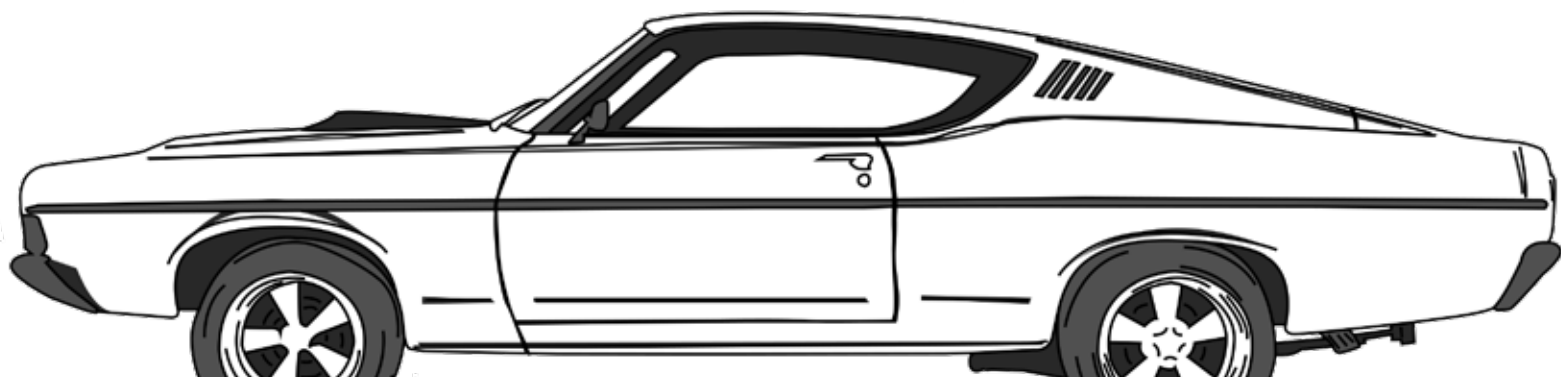
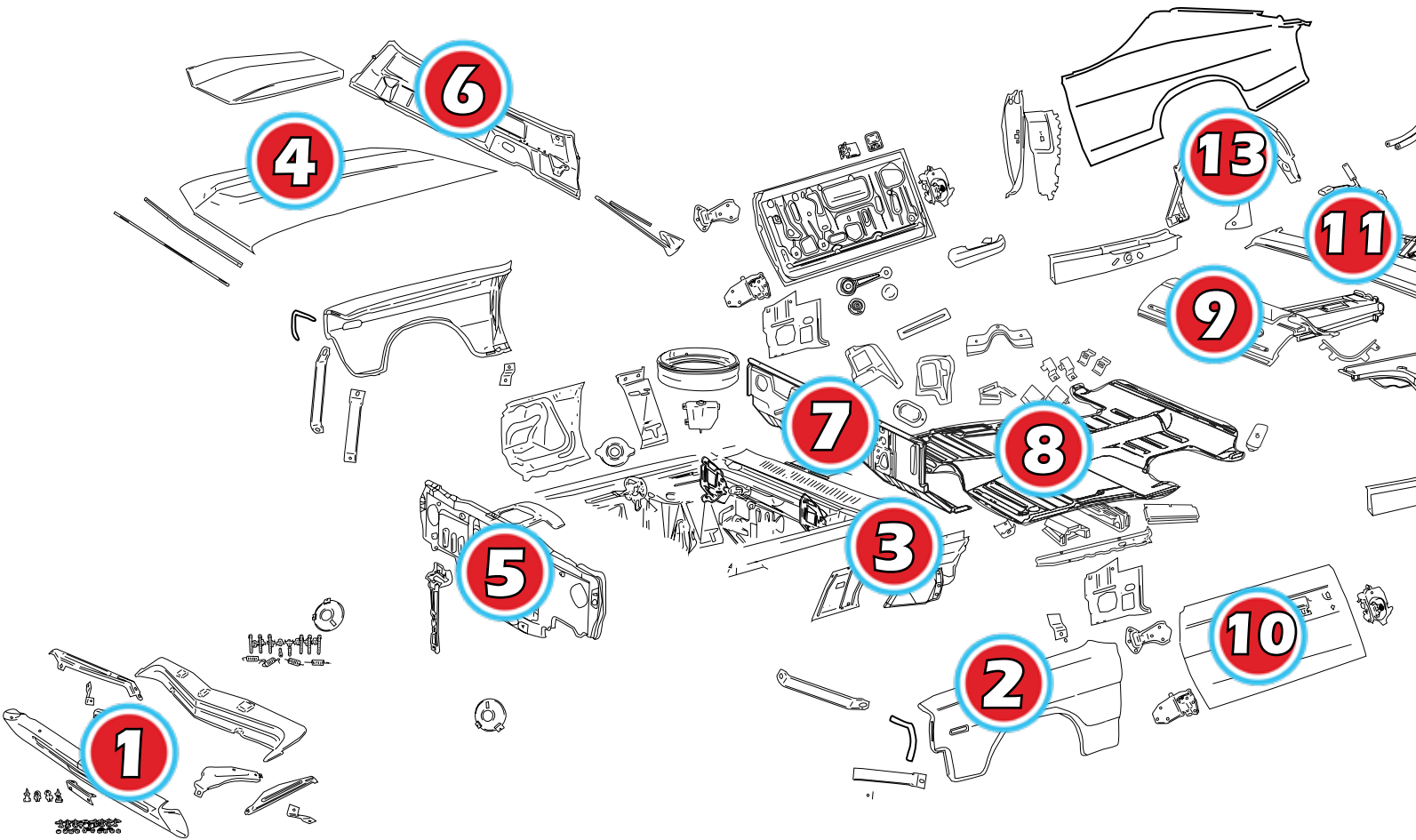
AUTOMETALDIRECT.COM

1. FRONT BUMPERS.....8
2. FRONT FENDERS...12
3. INNER FENDERS...15
4. HOODS...18
5. RADIATORS...21
6. COWLS...23
7. FIREWALLS...26
8. FLOOR PANS...28
9. FLOOR PANELS...34
10. DOORS...35
11. DECK FILLER...41
12. QUARTER PANELS...42
13. WHEELHOUSE...44
14. TRUNK FLOOR...48
15. TAIL LIGHT PANELS...53
16. REAR BUMPERS...55
17. GLASS...57



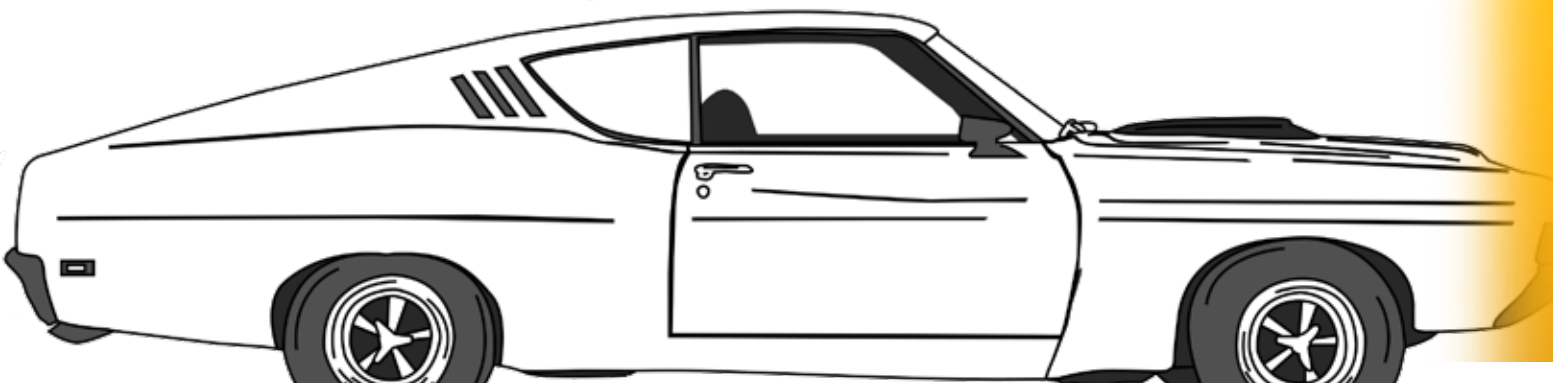
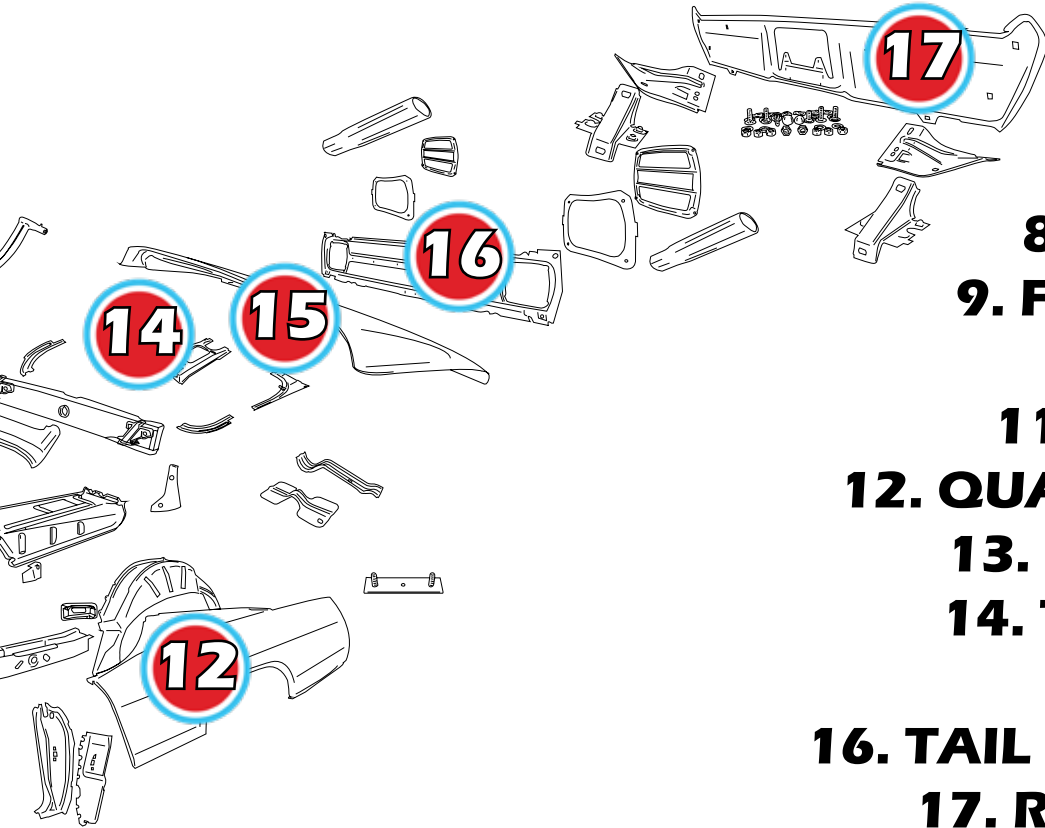


1968-69 FAIRLANE



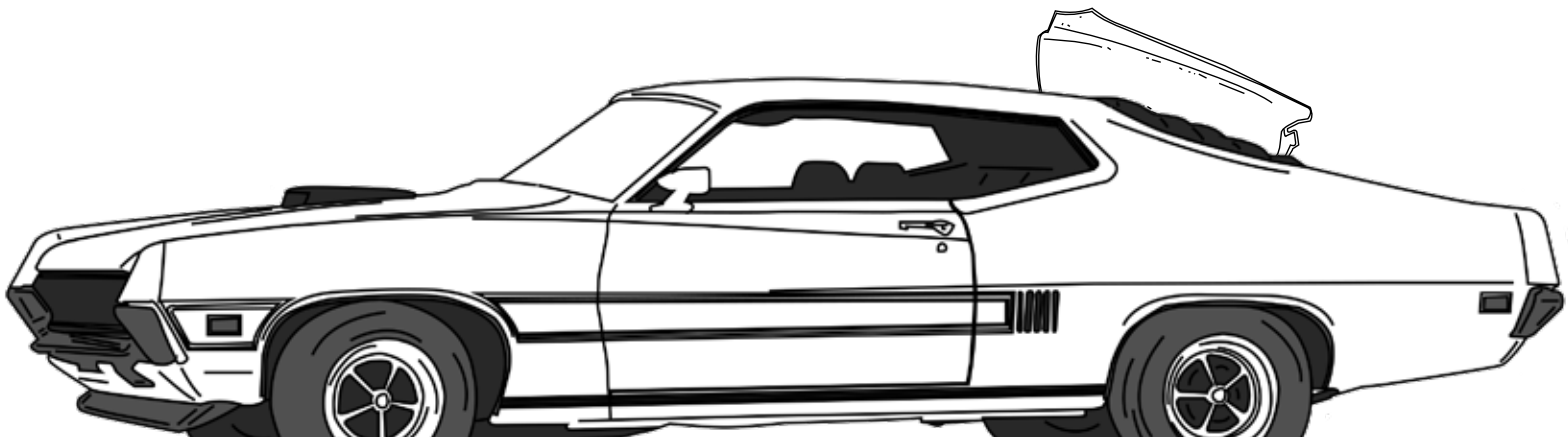
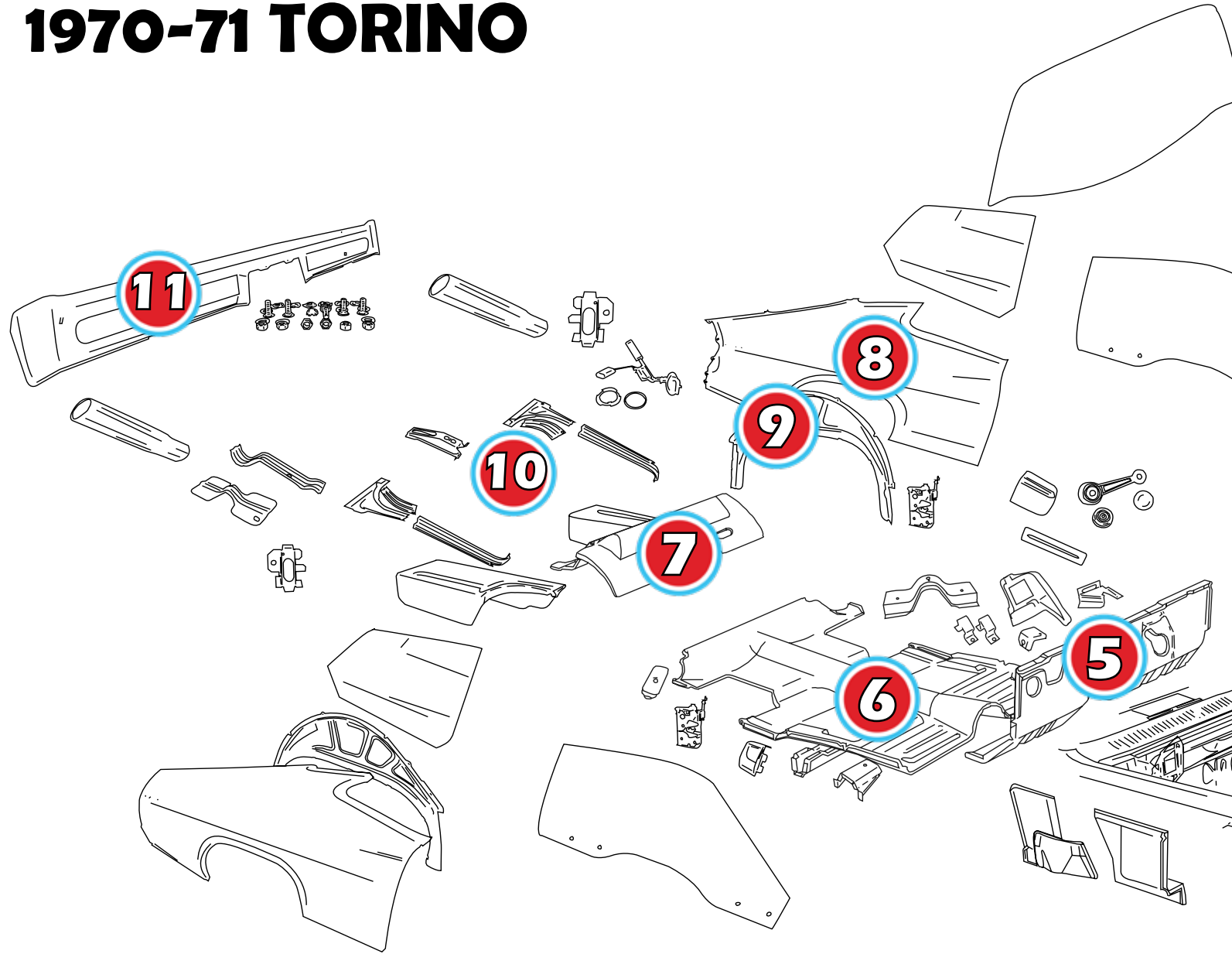
AUTOMETALDIRECT.COM

1. FRONT BUMPERS.....8
2. FRONT FENDERS... 12
3. INNER FENDERS... 15
4. HOODS... 18
5. RADIATORS...21
6. COWLS...23
7. FIREWALLS...26
8. FLOOR PANS...28
9. FLOOR PANELS...34
10. DOORS...35
11. DECK FILLER...41
12. QUARTER PANELS...42
13. WHEELHOUSE...44
14. TRUNK FLOOR...48
15. DECK LID...49
16. TAIL LIGHT PANELS...53
17. REAR BUMPERS...55



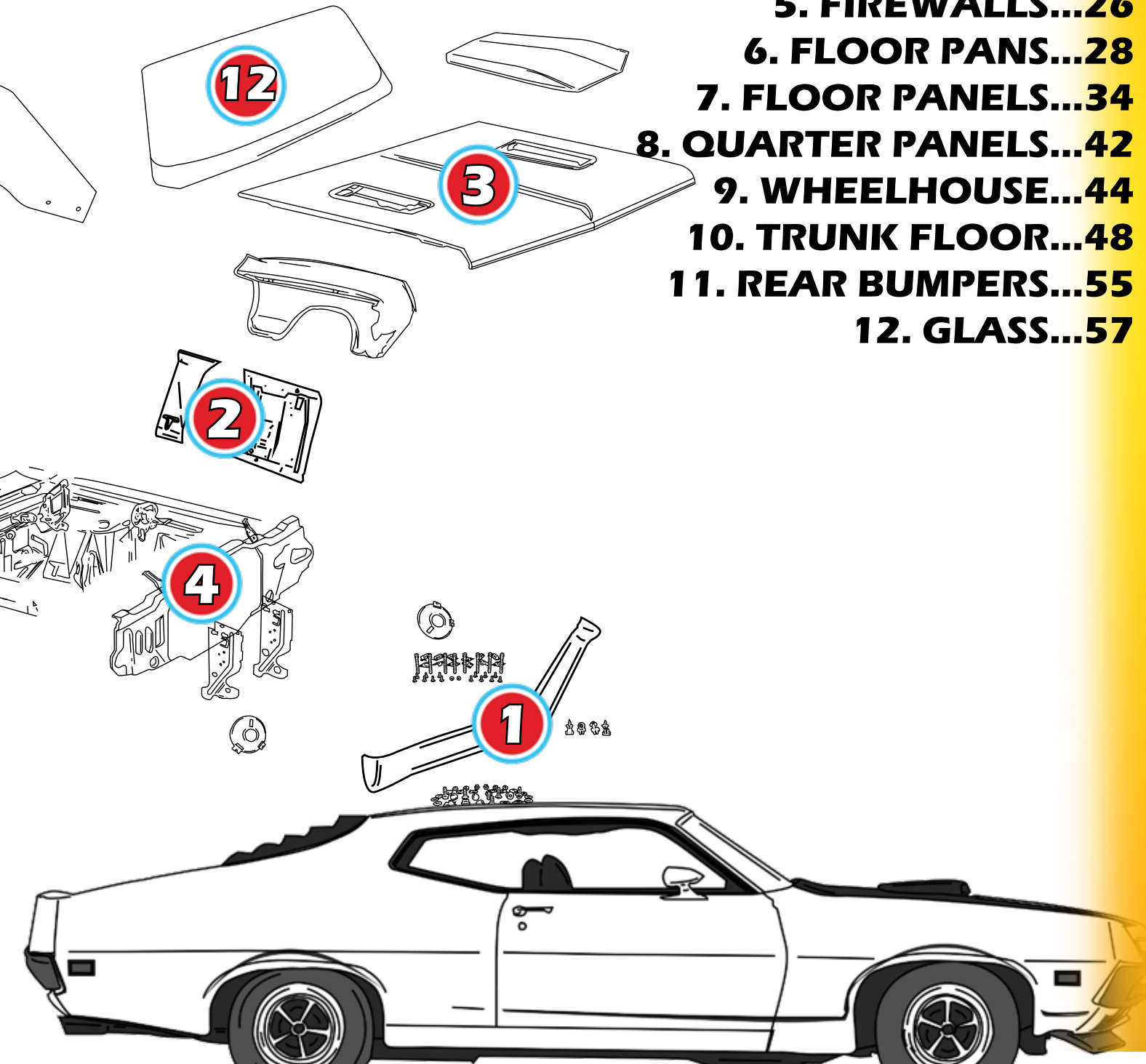


1970-71 TORINO



AUTOMETALDIRECT.COM

- 1. FRONT BUMPERS.....8
- 2. INNER FENDERS... 15
- 3. HOODS... 18
- 4. RADIATORS...21
- 5. FIREWALLS...26
- 6. FLOOR PANS...28
- 7. FLOOR PANELS...34
- 8. QUARTER PANELS...42
- 9. WHEELHOUSE...44
- 10. TRUNK FLOOR...48
- 11. REAR BUMPERS...55
- 12. GLASS...57





100-8466



101-8466-S

Item Code	Description
100-8466	Front Bumper - 66-67 Fairlane
101-8466-S	Front Bumper Bolt Kit (28 pcs) - 66-67 Fairlane



100-8468



101-8468-S

Item Code	Description
100-8468	Front Bumper - 68-69 Fairlane Torino
101-8468-S	Front Bumper Bolt Kit (38 pcs) - 68-69 Fairlane Torino



100-8470



101-8470-S

Item Code	Description
100-8470	Front Bumper - 70-71 Torino; 70 Fairlane
101-8470-S	Front Bumper Bolt Kit (32 pcs) - 70-71 Fairlane Torino

FRONT BUMPERS

AMD bumpers are made from heavy gauge steel and feature OE quality chrome finish. All parts feature, depending on application, correct holes for turn signals or back-up lamps. Installation is fast and easy as all parts are designed to be a direct bolt-on utilizing OE bumper brackets and hardware.



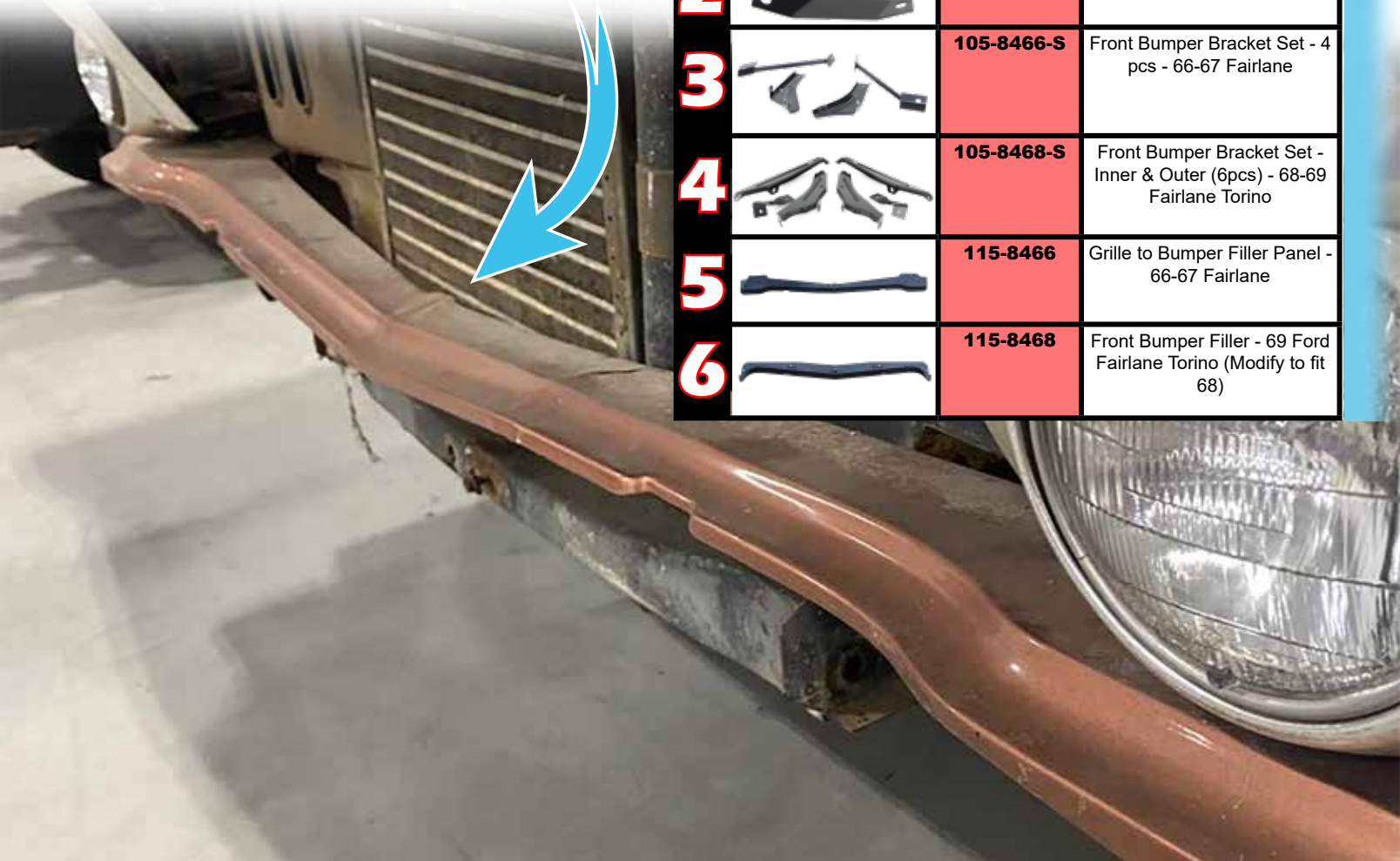
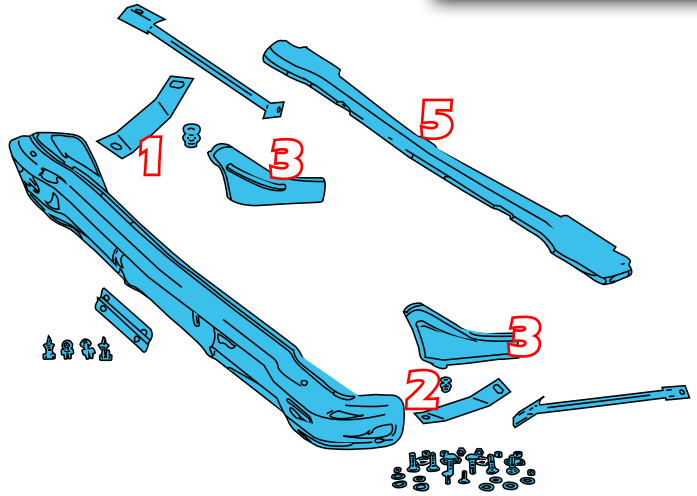


102-8466

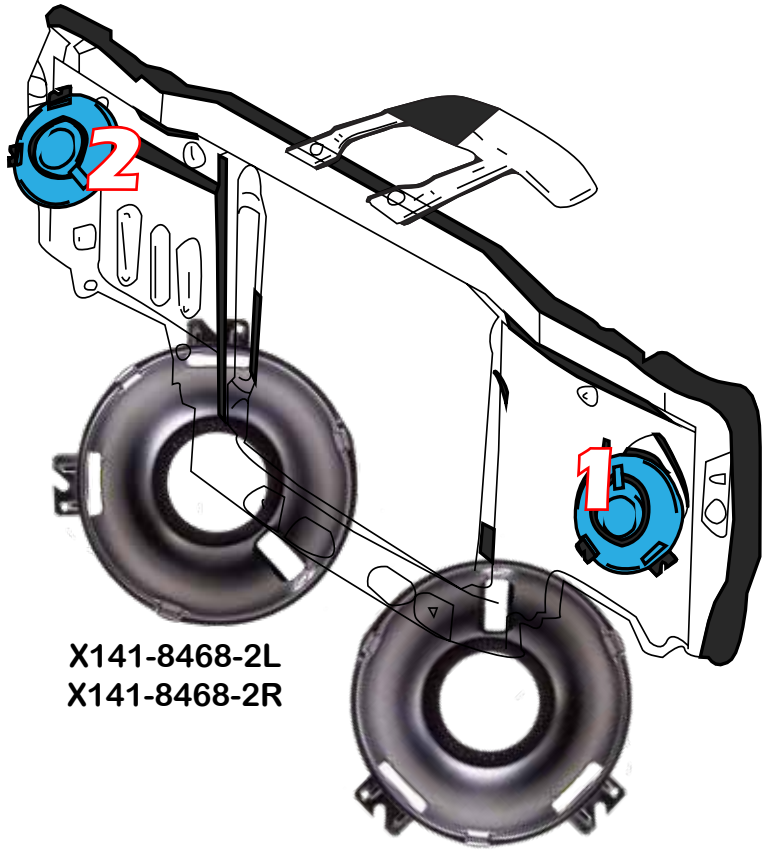


102-8468

	Item Code	Description
1	102-8466	Front License Plate Bracket - 66-67 Fairlane
2	102-8468	Front License Plate Bracket - 68-69 Fairlane Torino
3	X102-4568-S	Front and Rear License Plate Hardware Kit (4 pcs) - 68-71 Fairlane Torino



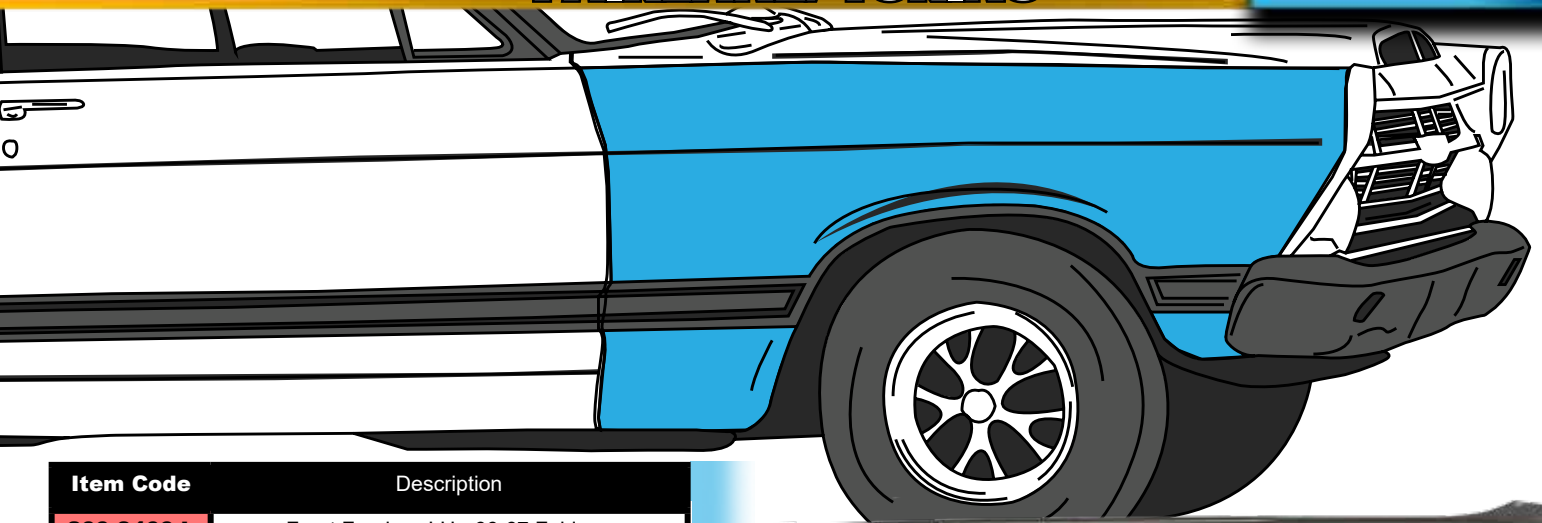
	Item Code	Description
1	105-8466-3L	Front Bumper to Fender Bracket, LH - 66-67 Fairlane
2	105-8466-3R	Front Bumper to Fender Bracket, RH - 66-67 Fairlane
3	105-8466-S	Front Bumper Bracket Set - 4 pcs - 66-67 Fairlane
4	105-8468-S	Front Bumper Bracket Set - Inner & Outer (6pcs) - 68-69 Fairlane Torino
5	115-8466	Grille to Bumper Filler Panel - 66-67 Fairlane
6	115-8468	Front Bumper Filler - 69 Ford Fairlane Torino (Modify to fit 68)



	Item Code	Description
1	X141-8468-2L	Headlamp Mounting Ring, LH Hi-Beam - 68-69 Fairlane Torino; 70-71 Torino w/ hidden lamps
2	X141-8468-2R	Headlamp Mounting Ring, RH Hi Beam - 68-69 Fairlane Torino; 70-71 Torino w/ hidden lamps
3	X142-8466-S	Headlamp Adjuster Kit (20pcs) - 66-67 Fairlane Comet Cyclone
4	X142-8468-S	Headlamp Adjuster Kit (20pcs) - 68-69 Fairlane Torino Comet Cyclone; 71 Torino (w/o Hidden Headlamps)
5	X142-8470-S	Headlamp Adjuster Kit (28pcs) - 70-71 Torino (except 71 w/o Hidden Headlamps)
6	202-8467-L	Headlight Brace - LH - 67 Fairlane
7	202-8467-R	Headlight Brace - RH - 67 Fairlane



202-8467-L



Item Code	Description
200-8466-L	Front Fender - LH - 66-67 Fairlane
200-8466-R	Front Fender - RH - 66-67 Fairlane



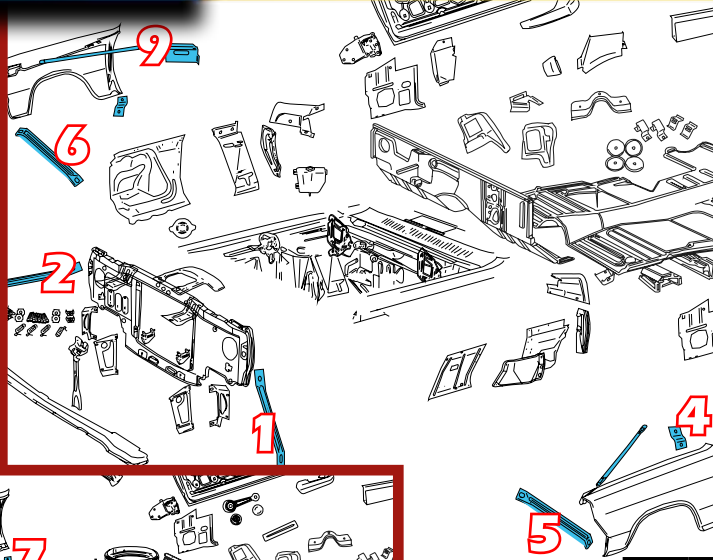
FENDERS

Reproduction front fender for the 66-67 Ford Fairlane.

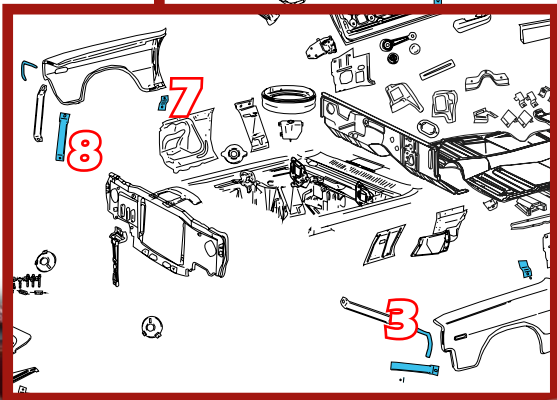
Stamped from high quality OE gauge steel on our exclusive new tools. Each fenders features the correct shape, size, bends, welds, curves and body lines, like original. Fenders arrive EDP coated to help protect against rust and corrosion.

LH = driver side - RH = passenger side



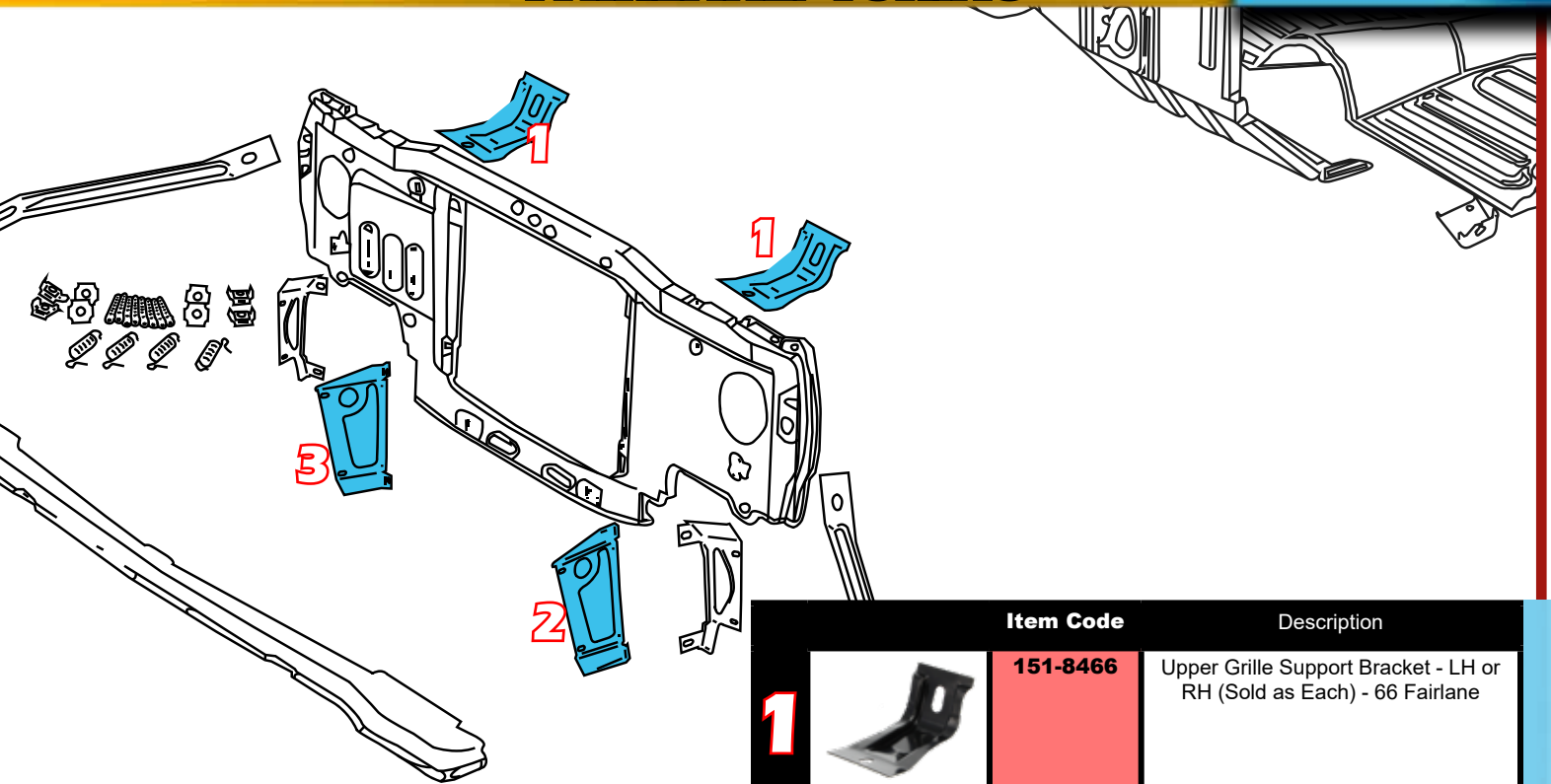


X148-8468-1P



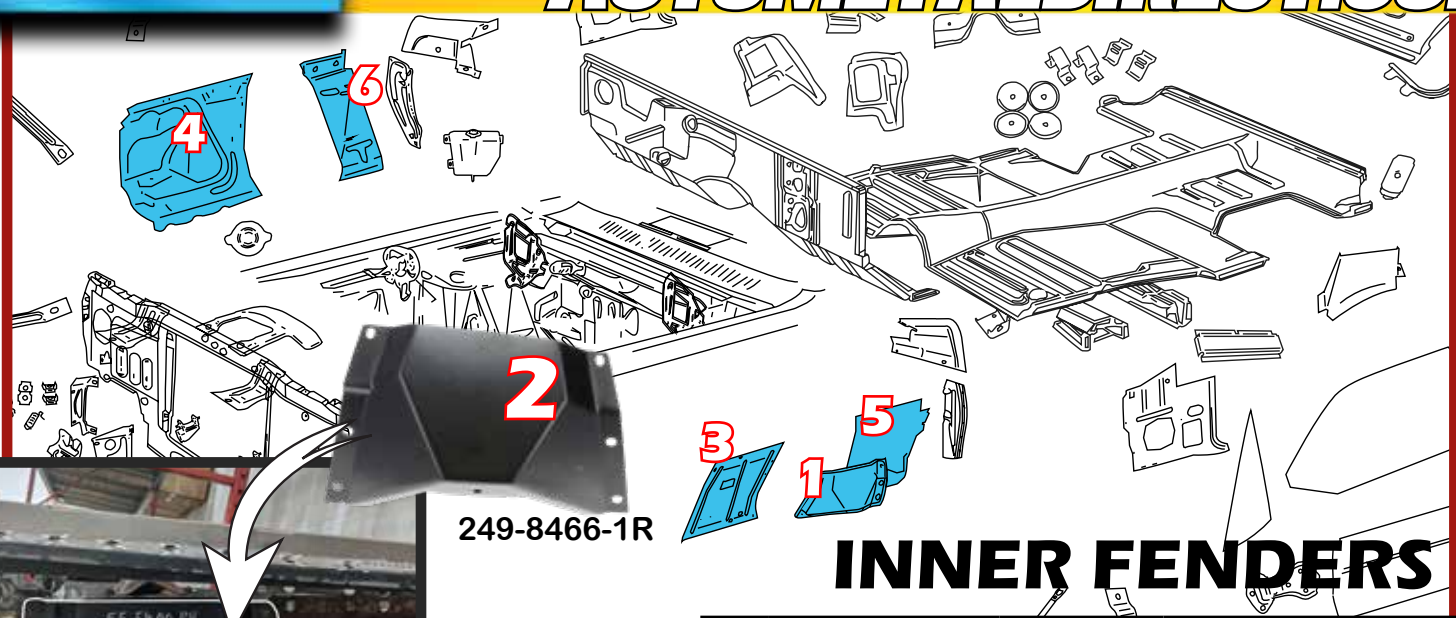
220-8466-L

	Item Code	Description
1	115-8466-L	Fender to Radiator Support Bracket - LH - 66-67 Fairlane
2	115-8466-R	Fender to Radiator Support Bracket - RH - 66-67 Fairlane
3	X148-8468-1P	Fender Eyebrow Moldings - LH/RH Pair - 68-69 Fairlane Torino
4	220-8466-2	Lower Rear Fender Brace, LH or RH (Sold as Each) - 66-67 Falcon Fairlane Comet Cyclone
5	220-8466-L	Front Fender to Radiator Support Brace, LH - 66-67 Fairlane
6	220-8466-R	Front Fender to Radiator Support Brace, RH - 66-67 Fairlane
7	220-8468	Lower Rear Fender Brace, LH or RH (Sold as Each) - 68-69 Fairlane Torino Comet Cyclone
8	220-8468-1	Fender to Bumper Bracket Brace - LH or RH (Sold as Each) - 68-69 Fairlane Torino
9	260-8466-S	Front Fender Apron to Dash Braces (Export Brace) - 66 Fairlane (Applicable for 67-69)



	Item Code	Description
1	151-8466	Upper Grille Support Bracket - LH or RH (Sold as Each) - 66 Fairlane
2	202-8466-L	Grille Support Brace, LH - 66 Fairlane
3	202-8466-R	Grille Support Brace, RH - 66 Fairlane





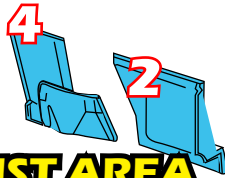
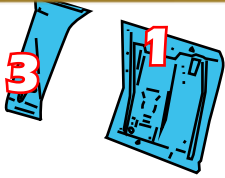
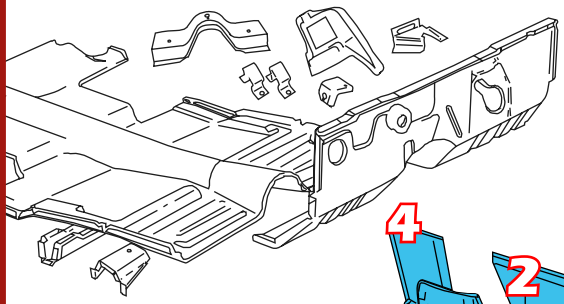
249-8466-1R

INNER FENDERS



250-8466-1R

	Item Code	Description
1	249-8466-1L	Outer Front Shock Tower Brace - LH - 66-71 Fairlane Torino
2	249-8466-1R	Outer Front Shock Tower Brace - RH - 66-71 Fairlane Torino
3	250-8466-1L	Inner Fender - Front 1/2 - LH - 66-69 Fairlane; 68-69 Torino
4	250-8466-1R	Inner Fender - Front 1/2 - RH - 66-69 Fairlane; 68-69 Torino
5	250-8466-2L	Inner Fender - Rear 1/2 - LH - 66-69 Fairlane; 68-69 Torino
6	250-8466-2R	Inner Fender - Rear 1/2 - RH - 66-69 Fairlane; 68-69 Torino

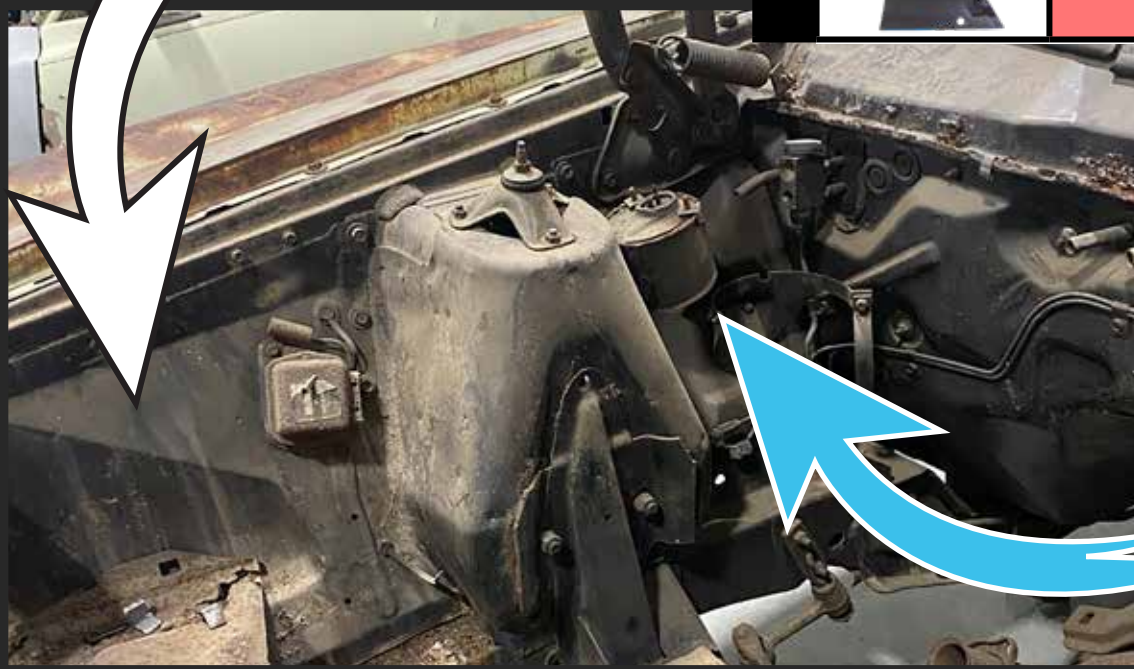


COMMON RUST AREA UNDER THE BATTERY TRAY

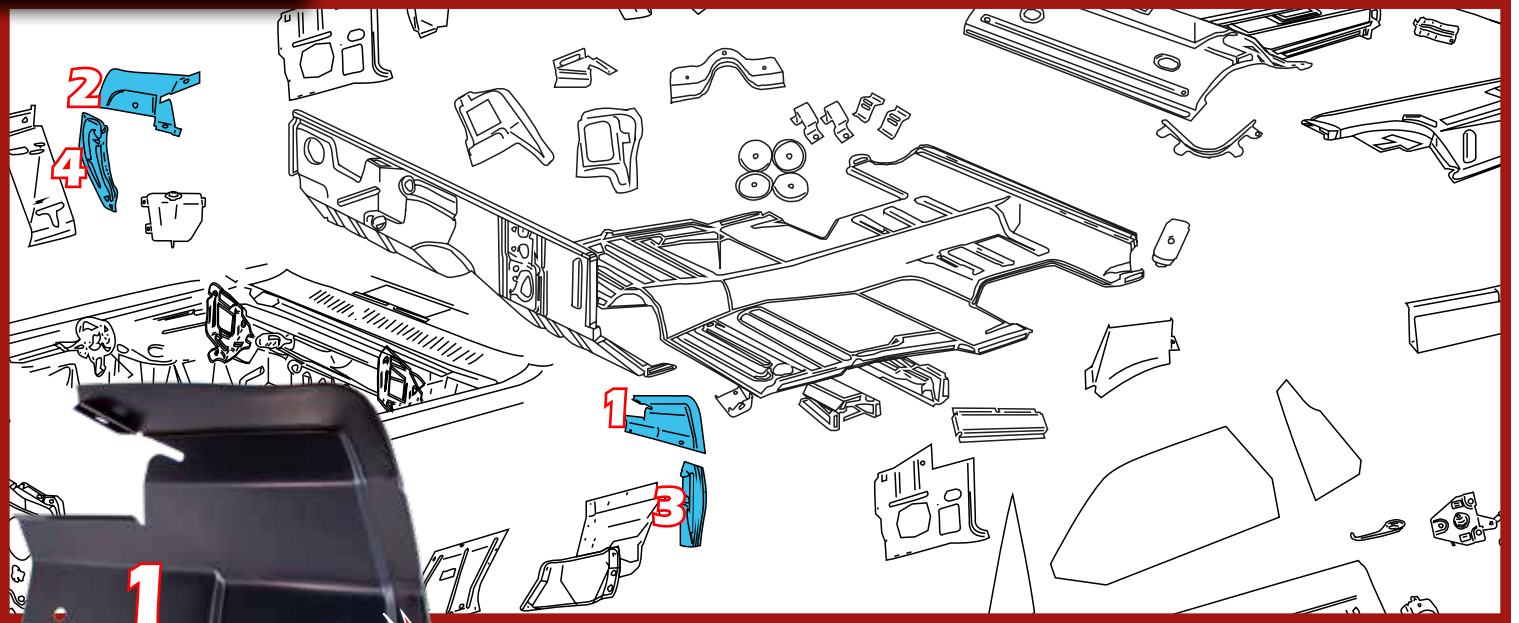


250-8470-1R

	Item Code	Description
1	250-8470-1L	Inner Fender - Front 1/2 - LH - 70-71 Fairlane Torino
2	250-8470-1R	Inner Fender - Front 1/2 - RH - 70-71 Fairlane Torino
3	250-8470-2L	Inner Fender - Rear 1/2 - LH - 70-71 Fairlane Torino
4	250-8470-2R	Inner Fender - Rear 1/2 - RH - 70-71 Fairlane Torino



250-8470-2R



255-8466-1L



255-8466-L

	Item Code	Description
1	255-8466-1L	Upper Rear Fender Splash Shield - LH - 66-67 Fairlane
2	255-8466-1R	Upper Rear Fender Splash Shield - RH - 66-67 Fairlane
3	255-8466-L	Lower Rear Fender Splash Shield - LH - 66-67 Fairlane
4	255-8466-R	Lower Rear Fender Splash Shield - RH - 66-67 Fairlane
5	255-8466-S	Upper & Lower Rear Fender Splash Shield Set (4pcs) - 66-67 Fairlane



HOODS
 Stamped from high quality steel on our exclusive new tools. Each hood is made like OE and features the correct, shape, size, bends, curves, holes and braces. Hoods arrive EDP coated to help protect against rust and corrosion.



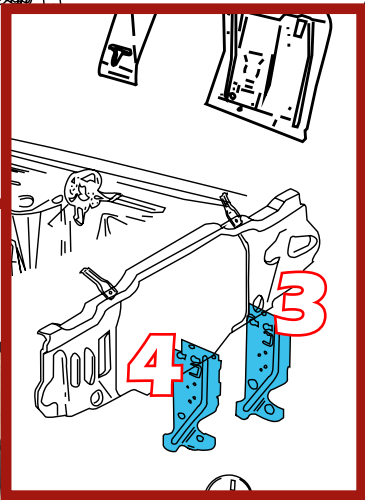
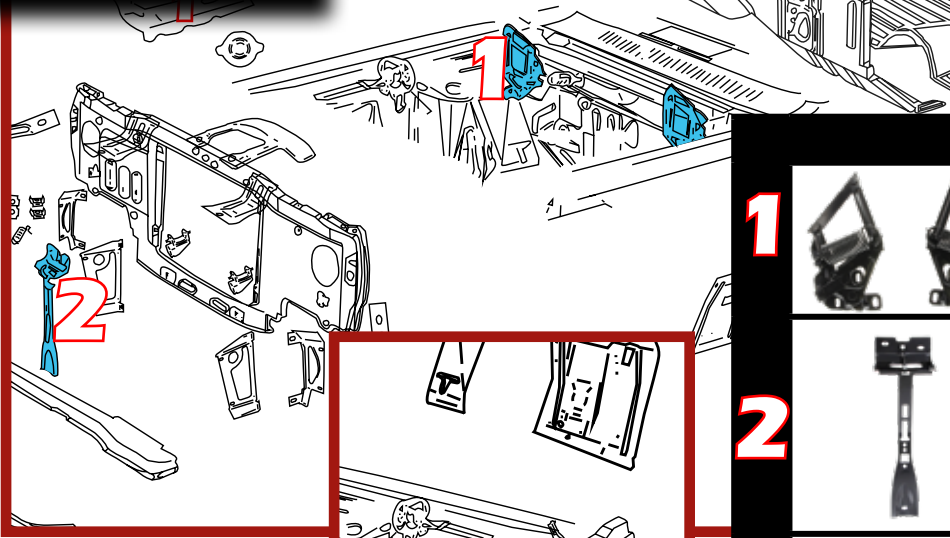
1968-69 FAIRLANE/TORINO HOOD SET

300-8468

300-8468-1

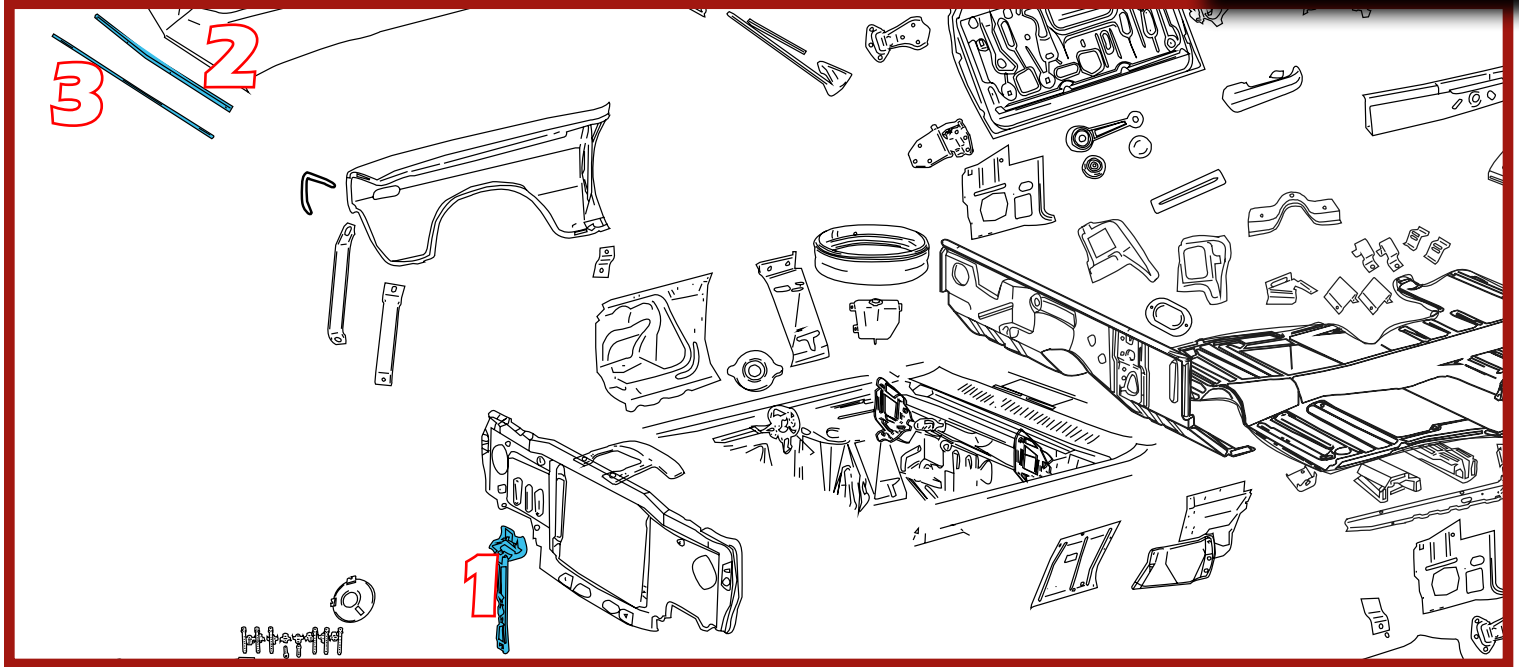
X330-8468

Item Code	Description
300-8466	Hood - GT Style - 66 Fairlane
300-8467	Hood - GT Style - 67 Fairlane
300-8468	Hood - OE Style - 68-69 Fairlane Torino
301-SCOOP-1	Universal Steel Hood Scoop - 2" Raise
301-SCOOP-2	Universal Steel Hood Scoop - 4" Raise



	Item Code	Description
1	310-8466-P	Hood Hinges - LH/RH Pair - 66-69 Fairlane; 68-69 Torino
2	326-8466	Hood Latch Support - 66 Fairlane
3	326-8470-L	Hood Latch Support Brace - LH - 70-71 Fairlane Torino
4	326-8470-R	Hood Latch Support Brace - RH - 70-71 Fairlane Torino





X330-8468

	Item Code	Description
1	326-8467	Hood Latch Support - 67-69 Fairlane; 68-69 Torino
2	300-8468-1	Hood Lip Molding Mounting Strip - 68-69 Fairlane Torino
3	X330-8468	Hood Lip Molding - Anodized Aluminum - 68-69 Fairlane
4	X334-8469	Ram Air Seal - 69 Fairlane Torino
5	X343-8466-S	Windshield Washer Bottle and Cap (NOS) - 67-68 Fairlane Torino

326-8467

RADIATORS



350-8466



350-8469



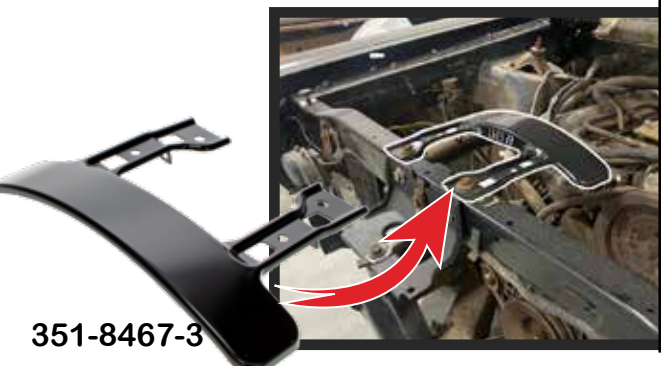
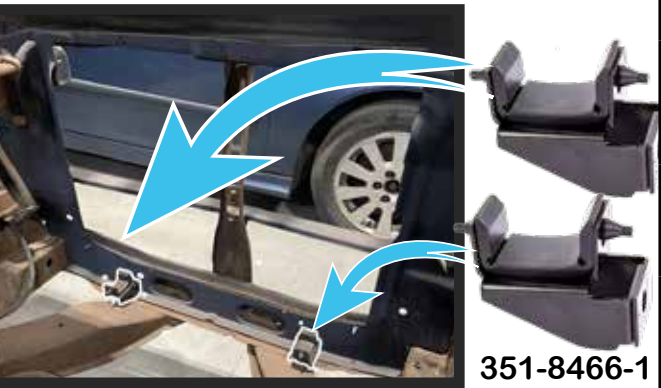
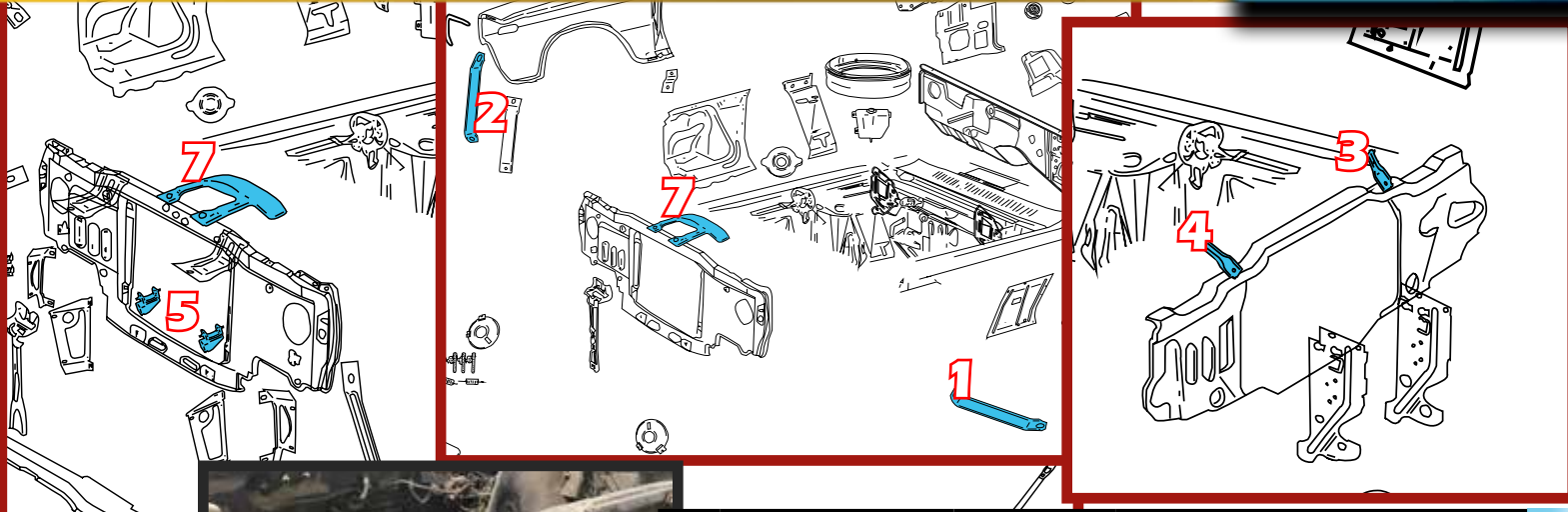
350-8467

REPRODUCTION RADIATOR CORE SUPPORT

Stamped from high quality OE gauge steel on our exclusive new tools. Each radiator support features correct as original shape, size, bends, tabs and holes, like original. Arrives EDP coated to help protect against rust and corrosion.

Item Code	Description
350-8466	Radiator Support - OE Style - 66 Fairlane
350-8467	Radiator Support - OE Style - 67 Fairlane
350-8469	Radiator Support - OE Style - 69 Fairlane Torino

FAIRLANE/TORINO



	Item Code	Description
1	349-8468-L	Radiator Support to Fender Brace - LH - 68-69 Fairlane Torino
2	349-8468-R	Radiator Support to Fender Brace - RH - 68-69 Fairlane Torino
3	350-8470-1L	Radiator Support Upper Bracket, LH - 70-71 Torino
4	350-8470-1R	Radiator Support Upper Bracket, RH - 70-71 Torino
5	351-8466-1	Lower Radiator Support Mounting Brackets - LH/RH Pair - 66 Fairlane
6	351-8467-2	Lower Radiator Support Mounting Brackets - LH/RH Pair - 67 Fairlane
7	351-8467-3	Upper Radiator Mounting Bracket - 67-69 Fairlane Torino
8	X357-8467-C	Radiator Cap - OE Style - Chrome - 67-69 All Ford Mercury Passenger Cars
9	X357-8467-Z	Radiator Cap - OE Style - Zinc - 67-69 All Ford Mercury Passenger Cars

UPPER COWL



360-8466



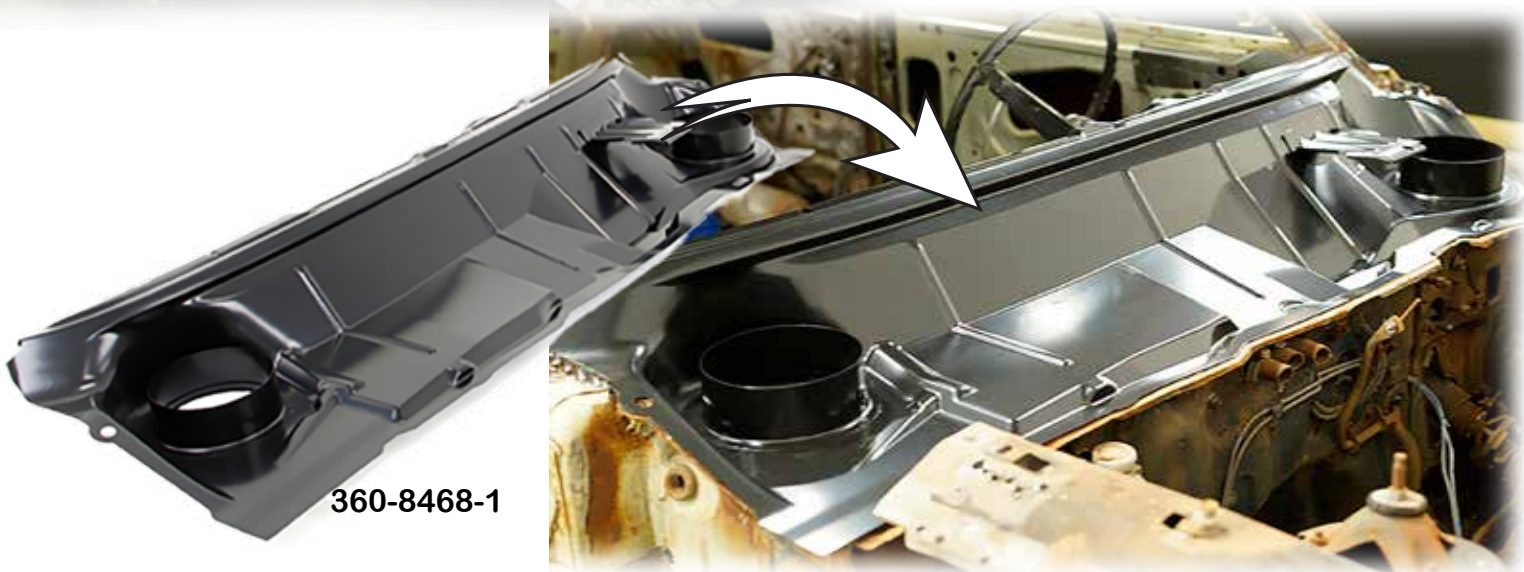
360-8468

Item Code	Description
360-8466	Upper Cowl - 66-67 Fairlane
360-8466-1	Lower Cowl Panel - 66-67 Falcon Fairlane Ranchero Comet Cyclone
360-8468	Upper Cowl - 68-69 Fairlane Torino
360-8468-1	Lower Cowl Panel Plenum - 68-69 Fairlane Torino Cyclone

LOWER COWL



**THE LOWER COWL IS A
COMMON RUST AREA**



Reproduction upper & lower cowl panel for 66-67, & 68-69 Ford Fairlane, Falcon & Ranchero and 66-67 Mercury Comet & Cyclone.

The lower cowl is a common area for water to collect and rust out over time. This is a needed replacement on almost every Fairlane.

Made like OE. Each piece is stamped from high quality OE gauge steel on our exclusive new tools and features the correct shape, size, bends and holes, like original. EDP coated to help protect against rust and corrosion.



360-8466-R



360-8466-L



360-8466-L
360-8466-R

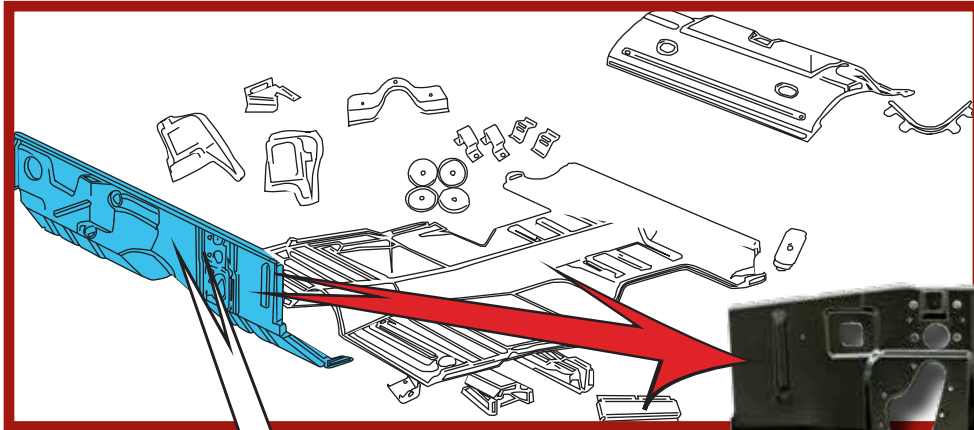


360-8466-1L
360-8466-1R



360-8466-2L

	Item Code	Description
1	360-8466-1L	Windshield Corner Bracket, LH - 66-67 Fairlane
2	360-8466-1R	Windshield Corner Bracket, RH - 66-67 Fairlane
3	360-8466-2L	Upper Cowl Lower Bracket - LH - 66-69 Fairlane; 68-69 Torino
4	360-8466-L	Inner Cowl Side Extension, LH - 66-67 Fairlane
5	360-8466-R	Inner Cowl Side Extension, RH - 66-67 Fairlane
6	360-8468-L	Upper Cowl to Inner Fender Brace - LH - 68-71 Fairlane Torino
7	360-8468-R	Upper Cowl to Inner Fender Brace - RH - 68-71 Fairlane Torino



FIREWALLS



370-8468



370-8466

Stamped from high quality OE gauge steel on our exclusive new tools. Each firewall features the correct shape, size, bends, holes, ribs and frame mounts, like original. EDP coated to help protect against rust and corrosion.



370-8466-1

Item Code	Description
370-8466	Firewall - 66-67 Fairlane
370-8468	Firewall - 68-69 Fairlane Torino
370-8466-1	Lower Firewall (Toe Board) Patch - 66-71 Fairlane; 68-71 Torino (May Require Modification)



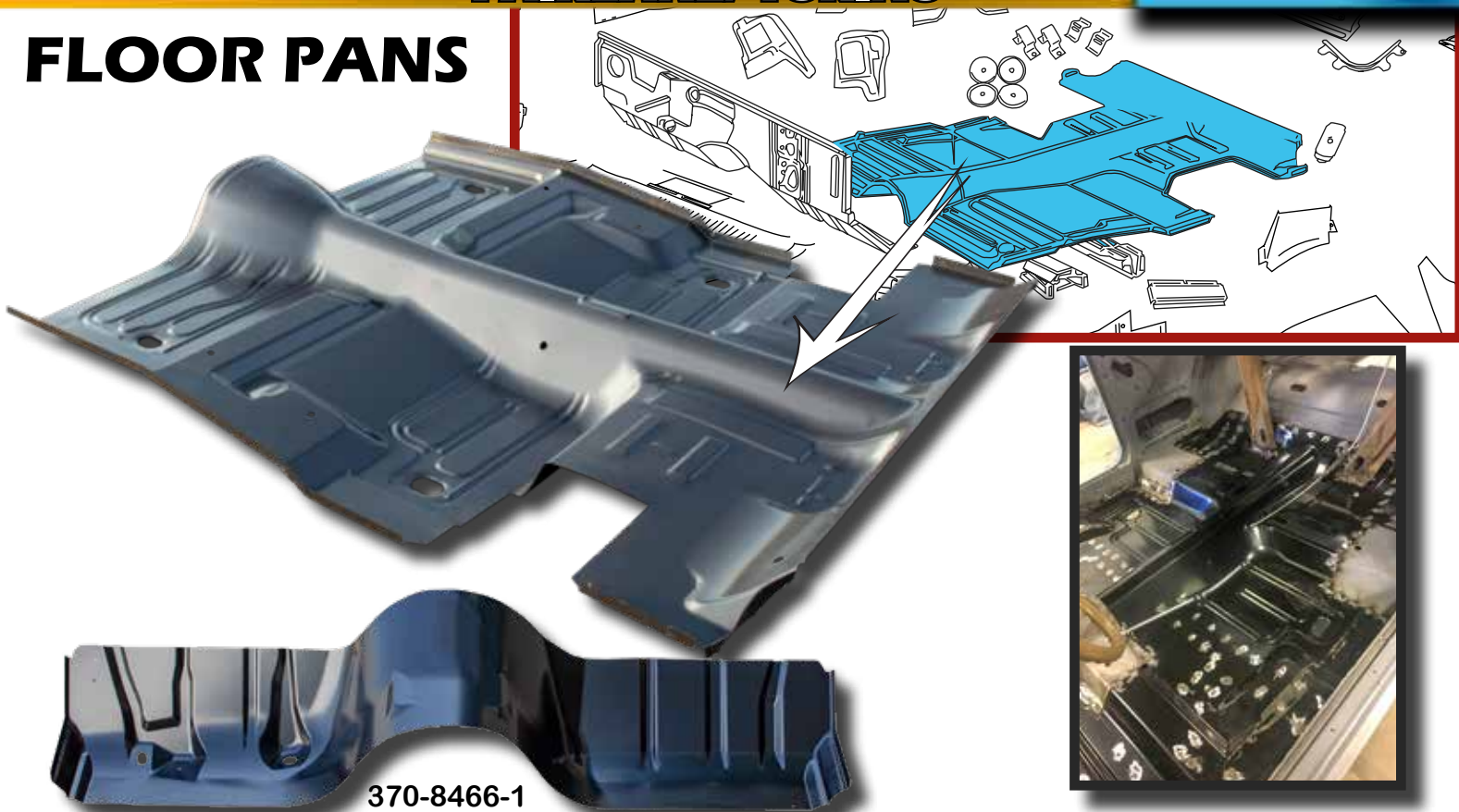
376-8466-R



376-8466-1L

	Item Code	Description
1	376-8466-1L	Lower Door Hinge Pillar - LH - 66-67 Fairlane
2	376-8466-1R	Lower Door Hinge Pillar - RH - 66-67 Fairlane
3	376-8466-L	Inner Cowl Side Assembly - LH - 66-67 Fairlane
4	376-8466-R	Inner Cowl Side Assembly - RH - 66-67 Fairlane
5	376-8468-L	Inner Cowl Side Assembly - LH - 68-69 Fairlane Torino
6	376-8468-R	Inner Cowl Side Assembly - RH - 68-69 Fairlane Torino

FLOOR PANS



370-8466-1

Item Code	Description
370-8466-1	Lower Firewall (Toe Board) Patch - 66-71 Fairlane; 68-71 Torino (May Require Modification)
400-8466	Floor Pan - Full OE Style - 66-71 Fairlane; 68-71 Torino (Except Wagon & Ranchero)

Reproduction OE style floor pan for the 66-71 Ford Fairlane, and 68-71 Ford Torino,

Stamped from high quality OE gauge steel on our exclusive new tools, this floor pan provides complete OE style coverage - mating to all adjacent panels with OE dimensions. Each floor features the correct shape, size, bends, holes and ribs, like original. Arrives EDP coated to help protect against rust and corrosion.





1

394-8466-1

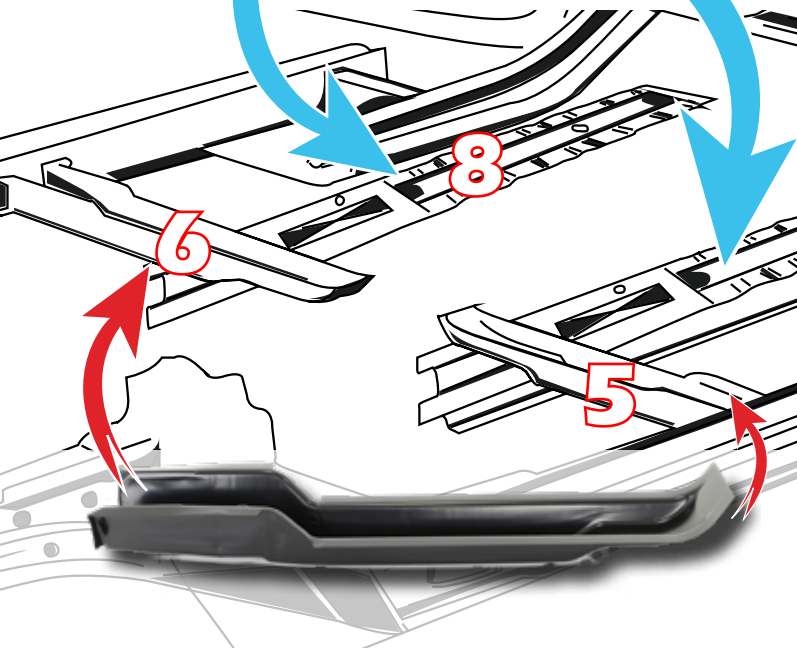


2

407-8466



8



	Item Code	Description
1	394-8466-1	Front Crossmember Lower Reinforcement (Jack Pad) - 66-69 Fairlane; 68-69 Torino
2	407-8466	Bucket Seat Floor Support / Bracket - 66-71 Fairlane Comet Cyclone; 68-71 Torino
3	407-8466-1L	Front Seat Floor Brace - LH - 66-71 Fairlane Comet Cyclone; 68-71 Torino (exc. Convertible)
4	407-8466-1R	Front Seat Floor Brace - RH - 66-71 Fairlane Comet Cyclone; 68-71 Torino (exc. Convertible)
5	407-8466-2L	Center Floor Pan Brace w/ Seat Anchor - LH - 66-71 Fairlane Comet Cyclone; 68-71 Torino (exc. Convertible)
6	407-8466-2R	Center Floor Pan Brace w/ Seat Anchor - RH - 66-71 Fairlane Comet Cyclone; 68-71 Torino (exc. Convertible)
7	407-8963-1S	Seat Belt Anchor to Floor Pan Reinforcements (4pcs) - 62-66 Fairlane Comet; 64-66 Cyclone
8	425-8468-1	Front Floor Brace - LH or RH - 68-70 Falcon; 68-69 Fairlane Torino Comet Cyclone



FAIRLANE/TORINO

FIREWALLS FIREWALL PATCH FLOOR PANS

370-8466-1



FIREWALL - 66-67 FAIRLANE FALCON RANCHERO COMET CYCLONE

Reproduction firewall for 66-67 Ford Fairlane, Falcon, Ranchero and 66-67 Mercury Comet & Cyclone.

Stamped from high quality OE gauge steel on our exclusive new tools. Each firewall features the correct shape, size, bends, holes, ribs and frame mounts, like original. EDP coated to help protect against rust and corrosion.

LOWER FIREWALL (TOE BOARD) PATCH PANEL FOR THE 66-71 FORD FAIRLANE.

370-8466

This patch panel allows you to complete the connection between the floor and the firewall (an area that is almost always rusted)

Stamped from high quality heavy gauge steel on our exclusive new tools, each piece features the correct shape, size, ribs, holes and contours, like original. Arrives EDP coated to help protect against rust and corrosion.

FLOOR PAN - OE STYLE - 66-71 FAIRLANE; 68-71 TORINO (EXCEPT WAGON & RANCHERO)

66-71 Mercury Cyclone, 68-71 Ford Torino, 68-71 Mercury Montego & 66-71 Mercury Comet. This floor is correct for all models except station wagon and Ranchero.

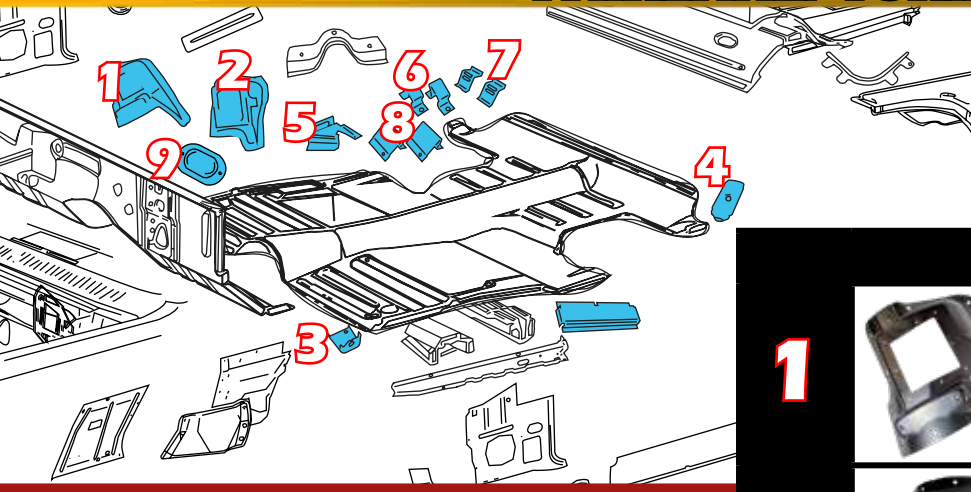
Stamped from high quality OE gauge steel on our exclusive new tools, this floor pan provides complete OE style coverage - mating to all adjacent panels with OE dimensions. Each floor features the correct shape, size, bends, holes and ribs, like original. Arrives EDP coated to help protect against rust and corrosion.

400-8466

Please note: Our panel is correct for models equipped with wide spaced speedometer and emergency brake cables.

Models with narrow spaced cables will require the the speedometer cable holes to be filled and relocated. Please refer to the alternate product images to determine which version you have.





425-8466-P



425-8466-2P

	Item Code	Description
1	415-8466-A	Shifter Tunnel Hump - Automatic Transmission - 66-70 Fairlane Comet Cyclone; 68-71 Torino; 71 Cyclone
2	415-8466-M	Shifter Tunnel Hump - Manual Transmission - 66-69 Fairlane Comet Cyclone; 68-69 Torino
3	425-8466	Floor Pan Park Brake Cable Retainer Bracket, LH - 66-71 Fairlane Comet Cyclone; 68-71 Torino
4	425-8466-1P	Seat Belt Anchor to Floor Pan Reinforcements (2pcs) - 67-70 Fairlane; 68-70 Torino; 67-70 Comet Cyclone
5	425-8466-2	Floor Pan Park Brake Cable J-Hook Bracket, RH - 66-71 Fairlane Comet Cyclone; 68-71 Torino
6	425-8466-2P	Floor Pan Rear Seat Back Support Brackets (2pcs) - 66-67 Fairlane Comet Cyclone 2d sdn or htp or conv; 68-71 Torino conv
7	425-8466-P	Rear Seat Attach Bracket Set (2pcs) - 66-69 Fairlane Comet Cyclone; 68-69 Torino
8	425-8468-1P	Rear Seat Base Perch - LH/RH Pair - 68-69 Fairlane Torino Cyclone Fastback
9	427-8963	Floor Pan Plug - 66-69 Fairlane Comet Cyclone; 68-69 Torino

REPRODUCTION FLOOR PAN ACCESSORY SET FOR THE 66-67 FORD FAIRLANE



Reproduction floor pan accessory set for the 66-67 Ford Fairlane. This kit includes all our individually available parts in one easy to buy set.

Set Includes:

- Floor pan plugs
- Seat belt anchor to floor pan reinforcements
- Rear seat base retainer brackets
- Rear seat attach brackets
- Brake cable retainer bracket
- Emergency cable bracket

All parts are stamped from high quality heavy gauge steel on our exclusive new tools and feature the correct shape, size, bends, curves and holes, like original. Each piece arrives EDP coated to help protect against rust and corrosion.

Please note: 1966 models utilize (4) round seat belt anchor reinforcements. 1967 models utilize (2) round and (2) oval seat belt reinforcements. Depending on the application, customers will have to discard unused reinforcements.

Item Code

425-8466-S

Description

Floor Pan Accessory Set - 66-67 Fairlane

FAIRLANE/TORINO

FLOOR PANELS

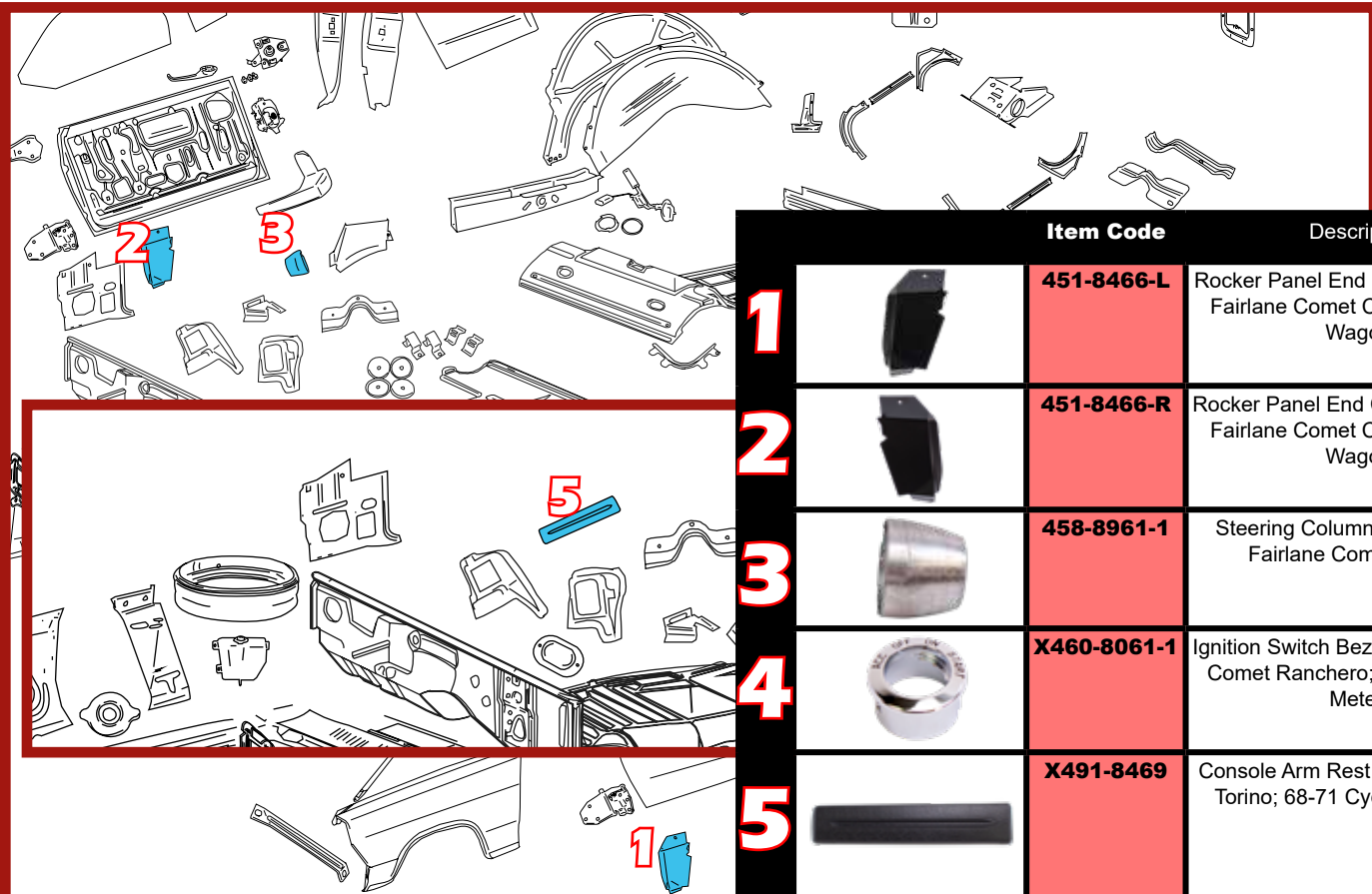
Reproduction under rear seat floor panel for the 66-69 Fairlane Comet Cyclone & 68-69 Torino Montego.



420-8466

Stamped from high quality heavy gauge steel on our exclusive new tools. Each panel features the correct shape, size, holes, bends and ribs, like original. Arrives EDP coated to help protect against rust and corrosion.

Item Code	Description
420-8466	Over The Axle Rear Floor Panel - 66-69 Fairlane; 68-69 Torino



	Item Code	Description
1	451-8466-L	Rocker Panel End Cap - LH - 66-67 Fairlane Comet Cyclone (except Wagon)
2	451-8466-R	Rocker Panel End Cap - RH - 66-67 Fairlane Comet Cyclone (except Wagon)
3	458-8961-1	Steering Column Collar - 62-66 Fairlane Comet Cyclone
4	X460-8061-1	Ignition Switch Bezel - 61-65 Falcon Comet Ranchero; 62-65 Fairlane Meteor
5	X491-8469	Console Arm Rest - 69-71 Fairlane Torino; 68-71 Cyclone Montego

DOOR SHELLS

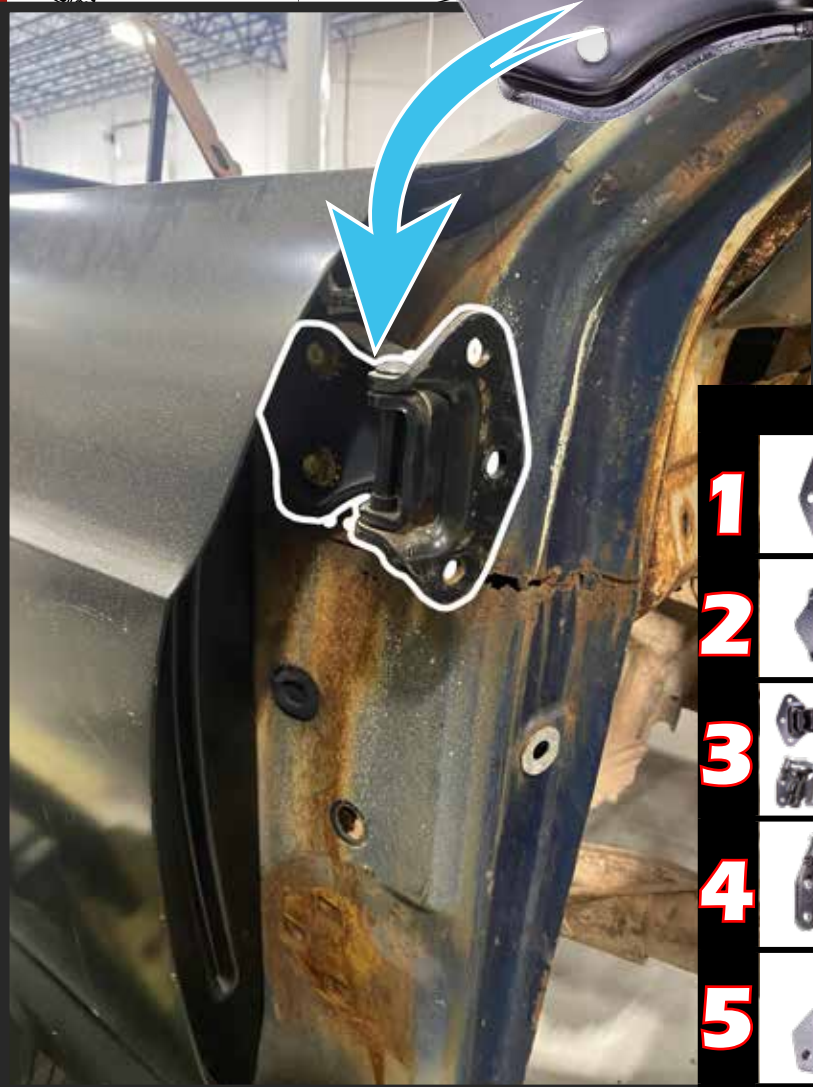


500-8466-L
500-8466-R

Reproduction door shell for the 66-67 Ford Fairlane.

Stamped from high quality OE gauge steel on our exclusive new tools. Door shells feature the correct shape, size, bends, curves and holes, like original. Arrive EDP coated to help protect against rust and corrosion. Internals (Glass, Handles, etc) are not included.

Item Code	Description
500-8466-L	Door Shell - LH - 66-67 Fairlane Comet Cyclone Fastback
500-8466-R	Door Shell - RH - 66-67 Fairlane Comet Cyclone Fastback

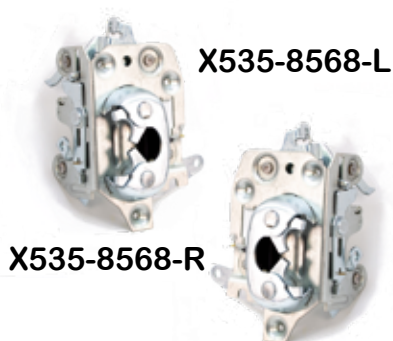


	Item Code	Description
1	520-8466-L	Upper Door Hinge - LH - 66-69 Fairlane Ranchero Comet Cyclone; 68-69 Torino Montego
2	520-8466-R	Upper Door Hinge - RH - 66-69 Fairlane Ranchero Comet Cyclone; 68-69 Torino Montego
3	520-8466-S	Door Hinge Set - Upper / Lower - 4pcs - 66-69 Fairlane Ranchero Comet Cyclone; 68-69 Torino Montego
4	525-8466-L	Lower Door Hinge - LH - 66-69 Fairlane Ranchero Comet Cyclone; 68-69 Torino Montego
5	525-8466-R	Lower Door Hinge - RH - 66-69 Fairlane Ranchero Comet Cyclone; 68-69 Torino Montego



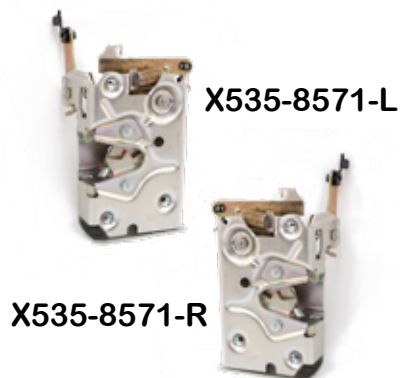
X535-8567-L

X535-8567-R



X535-8568-L

X535-8568-R



X535-8571-L

X535-8571-R

DOOR LATCH

Item Code	Description
X535-8567-L	Door Latch - LH - w/o Door Warning Light - 67 Fairlane Ranchero Comet Cyclone
X535-8567-R	Door Latch - RH - w/o Door Warning Light - 67 Fairlane Ranchero Comet Cyclone
X535-8568-L	Door Latch - LH - w/o Door Warning Light or Vacuum Door Lock - 68-70 Fairlane Torino Ranchero Comet Cyclone Montego
X535-8568-R	Door Latch - RH - w/o Door Warning Light or Vacuum Door Lock - 68-70 Fairlane Torino Ranchero Comet Cyclone Montego
X535-8571-L	Door Latch - LH - 71-76 Torino Ranchero Cyclone Montego
X535-8571-R	Door Latch - RH - 71-76 Torino Ranchero Cyclone Montego



X540-8963



X540-4568-L
X540-4568-R



X540-8467-L
X540-8467-R



X540-8070-L
X540-8070-R



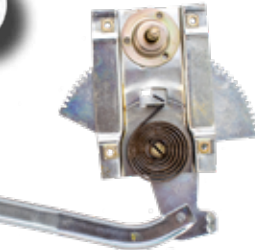
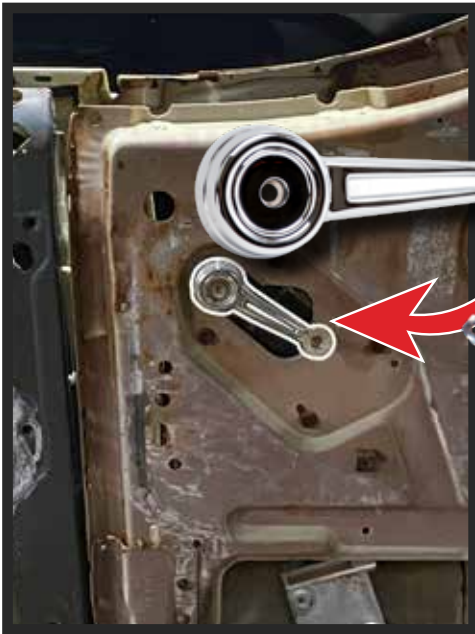
X540-4568-1

INTERIOR DOOR HANDLE

Item Code	Description
X540-4568-1	Interior Front Door Handle Cup - Black - LH or RH - 68-69 Fairlane Torino Ranchero Comet Cyclone Montego
X540-4568-L	Interior Door Handle - Front - LH - 68-69 Fairlane / Torino / Ranchero / Comet / Cyclone / Montego; 68 Galaxie / LTD Monterey Marquis
X540-4568-R	Interior Door Handle - Front - RH - 68-69 Fairlane / Torino / Ranchero / Comet / Cyclone / Montego
X540-8066	Interior Door Handle - LH or RH (Sold Each) - 66-67 Falcon Ranchero Fairlane Comet Cyclone
X540-8070-L	Interior Door Handle - LH - 70-76 Torino / Montego / Cyclone / Ranchero (exc. 72-73 Sport)
X540-8070-R	Interior Door Handle - RH - 70-76 Torino / Montego / Cyclone / Ranchero (exc. 72-73 Sport)
X540-8467-L	Inside Door Handle Remote - LH - 66-67 Fairlane Falcon
X540-8467-R	Inside Door Handle Remote - RH - 66-67 Fairlane Falcon
X540-8963	Inside Door Handle - Clip-on Style - LH or RH (Sold as Each) - 64-65 Fairlane



WINDOW CRANK HANDLE



Item Code	Description
X545-8463-L	Window Regulator - Front Door - LH - 63-65 Fairlane Meteor S-33 2DR Hardtop
X545-8463-R	Window Regulator - Front Door - RH - 63-65 Fairlane Meteor S-33 2DR Hardtop
X546-4573	Window Crank Handle w/ Clear Knob - 73-74 Torino Montego Ranchero
X546-8068-68	Window Crank Handle w/o Knob - 68-69 Fairlane / Torino / Ranchero / Comet / Cyclone / Montego
X546-8068-681A	Window Crank Handle Knob - Black - 68-72 Fairlane Torino Ranchero Comet Cyclone Montego
X546-8068-682	Window Crank Handle Screw Cover - Brushed Aluminum - 68-72 Fairlane / Torino / Ranchero / Comet / Cyclone / Montego



VENT WINDOW HANDLE

Item Code	Description
X561-8060-L	Vent Window Handle - LH - 62-65 Fairlane / Meteor
X561-8060-R	Vent Window Handle - RH - 62-65 Fairlane / Meteor
X561-8066-L	Vent Window Handle - LH - 66-67 Fairlane / Comet / Cyclone
X561-8066-R	Vent Window Handle - RH - 66-67 Fairlane / Comet / Cyclone
X561-8068-L	Vent Window Handle - LH - 68-69 Fairlane Torino Comet Montego 4d
X561-8068-R	Vent Window Handle - RH - 68-69 Fairlane Torino Comet Montego 4d



610-8466-L
610-8466-R

	Item Code	Description
1	610-8466-L	Outer Wheelhouse to Roof Support - LH - 66-67 Fairlane
2	610-8466-R	Outer Wheelhouse to Roof Support - RH - 66-67 Fairlane

	Item Code	Description
1	640-8466-1L	Package Tray to Floor Support - LH - 66-67 Fairlane Comet Cyclone 2-door Sedan or Hardtop
2	640-8466-1R	Package Tray to Floor Support - RH - 66-67 Fairlane Comet Cyclone 2-door Sedan or Hardtop
3	640-8466-L	Package Tray Extension - LH - 66-67 Fairlane Comet Cyclone 2DR Hardtop
4	640-8466-R	Package Tray Extension - RH - 66-67 Fairlane Comet Cyclone 2DR Hardtop



640-8466-1L
640-8466-1R



640-8466-L
640-8466-R





	Item Code	Description
1	X646-8069-1	Sun Visor Arm and Bracket, LH or RH - 69-76 Fairlane Torino Cyclone Montego (exc. Convertible)
2	X646-8567-1	Sun Visor Arm and Bracket, LH or RH - 68 Fairlane Torino Cyclone Montego 2d Hardtop



Back Glass Molding Set



Back Glass Molding Set - 4pcs - Polished Stainless Steel - 68-69 Fairlane Torino

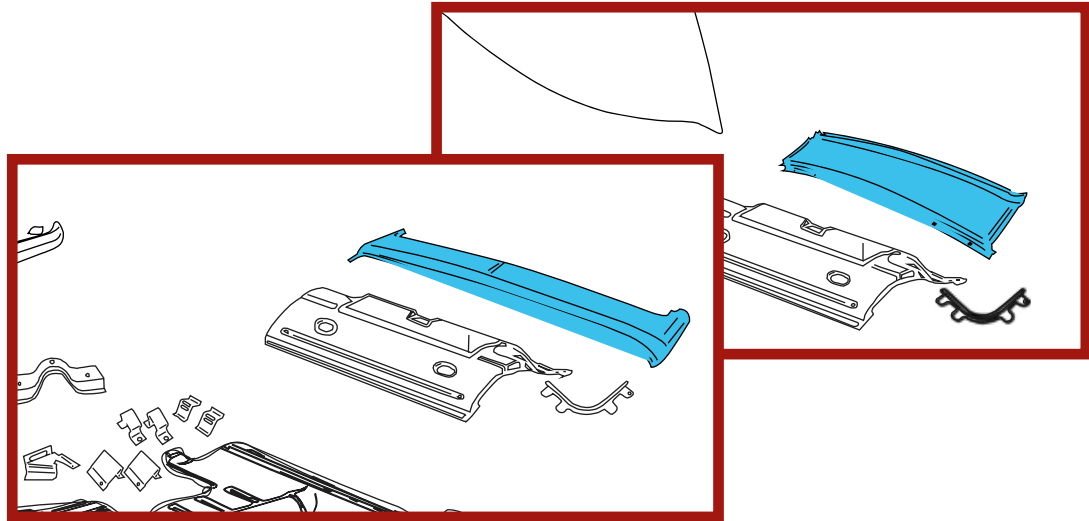
Reproduction back glass molding set for 68-69 Ford Fairlane Torino. Correct for use on Fastback models only. Original thickness polished stainless steel gives that factory original appearance only heavy weight stainless can achieve. Technically correct stamping. 4 piece set.

DECK FILLER



650-8466-L

	Item Code	Description
1	650-8466-L	Deck Filler to Package Tray Bracket - LH - 66-67 Fairlane
2	650-8466-R	Deck Filler to Package Tray Bracket - RH - 66-67 Fairlane



650-8466



650-8468

Item Code	Description
650-8466	Deck Filler Panel - 66-67 Fairlane Comet Cyclone 2DR Hardtop
650-8468	Deck Filler to Package Tray Bracket - LH - 66-67 Fairlane

QUARTER PANELS



700-8466-L
700-8466-R

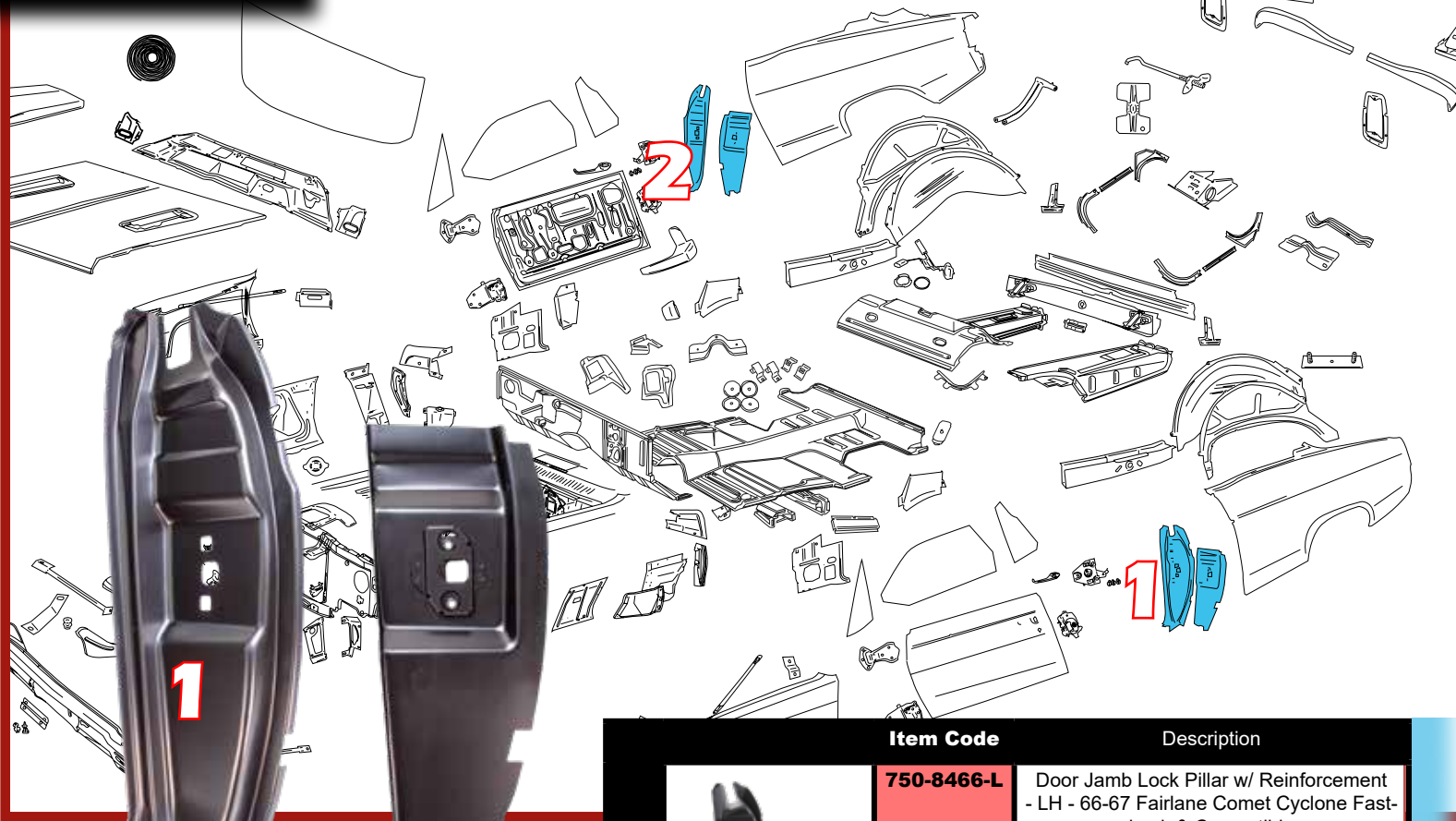
700-8467-L
700-8467-R

700-8468-L
700-8468-R

700-8469-L
700-8469-R

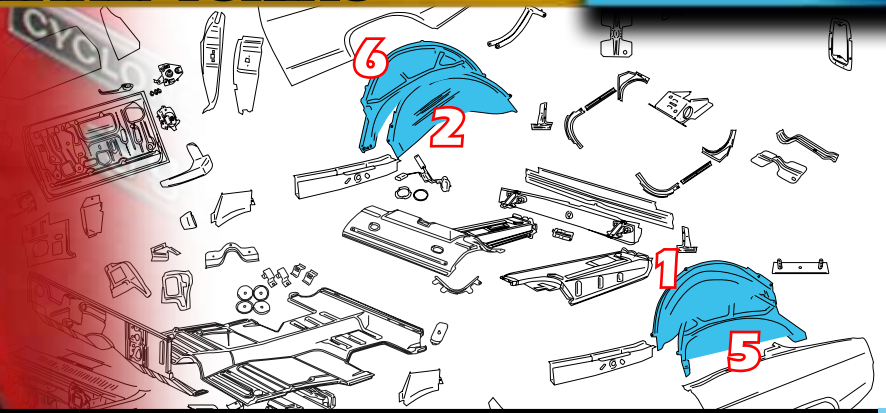
700-8470-L
700-8470-R

Item Code	Description
700-8466-L	Quarter Panel - OE Style - LH - 66 Fairlane 2DR Hardtop
700-8466-R	Quarter Panel - OE Style - RH - 66 Fairlane 2DR Hardtop
700-8467-L	Quarter Panel - OE Style - LH - 67 Fairlane 2DR Hardtop
700-8467-R	Quarter Panel - OE Style - RH - 67 Fairlane 2DR Hardtop
700-8468-L	Quarter Panel - OE Style - LH - 68 Fairlane Torino Fastback
700-8468-R	Quarter Panel - OE Style - RH - 68 Fairlane Torino Fastback
700-8469-L	Quarter Panel - OE Style - LH - 69 Fairlane Torino Fastback
700-8469-R	Quarter Panel - OE Style - RH - 69 Fairlane Torino Fastback
700-8470-L	Quarter Panel - OE Style - LH - 70 Torino Fastback
700-8470-R	Quarter Panel - OE Style - RH - 70 Torino Fastback



	Item Code	Description
1	750-8466-L	Door Jamb Lock Pillar w/ Reinforcement - LH - 66-67 Fairlane Comet Cyclone Fast-back & Convertible
2	750-8466-R	Door Jamb Lock Pillar w/ Reinforcement - RH - 66-67 Fairlane Comet Cyclone Fast-back & Convertible
3	750-8468-L	Door Jamb Lock Pillar w/ Reinforcement - LH - 68-69 Fairlane Torino 2DR & Convertible
4	750-8468-R	Door Jamb Lock Pillar w/ Reinforcement - RH - 68-69 Fairlane Torino 2DR & Convertible

WHEELHOUSE



Reproduction inner rear wheelhouse for the 66-70 Ford Falcon, 66-69 Ford Fairlanem 66-69 Ford Ranchero, 66-69 Mercury Comet, 66-69 Mercury Cyclone, 68-69 Ford Torino & 68-69 Mercury Montego. Correct for all models except Torino Talladega and station wagon.

Stamped from high quality heavy gauge steel on our exclusive new tools. Each wheelhouse features correct as original shape, size, bends, tabs and holes, like original. Wheelhouses arrive EDP coated to protect against rust and corrosion.

LH = driver side;
RH = passenger side

	Item Code	Description
1	760-8466-L	Inner Wheelhouse - LH - 66-69 Fairlane Ranchero Comet Cyclone; 68-69 Torino Montego
2	760-8466-R	Inner Wheelhouse - RH - 66-69 Fairlane Ranchero Comet Cyclone; 68-69 Torino Montego
3	760-8470-L	Inner Wheelhouse - LH - 70-71 Torino Ranchero Montego Cyclone; 70 Fairlane Comet (except Wagon)
4	760-8470-R	Inner Wheelhouse - RH - 70-71 Torino Ranchero Montego Cyclone; 70 Fairlane Comet (except Wagon)
5	770-8466-L	Outer Wheelhouse - LH - 66-67 Fairlane Comet Cyclone (except Wagon or Ranchero)
6	770-8466-R	Outer Wheelhouse - RH - 66-67 Fairlane Comet Cyclone (except Wagon or Ranchero)
7	770-8468-L	Outer Wheelhouse - LH - 68-69 Fairlane Torino
8	770-8468-R	Outer Wheelhouse - RH - 68-69 Fairlane Torino
9	770-8470-L	Outer Wheelhouse - LH - 70-71 Torino; 70 Fairlane (except Wagon)
10	770-8470-R	Outer Wheelhouse - RH - 70-71 Torino; 70 Fairlane (except Wagon)

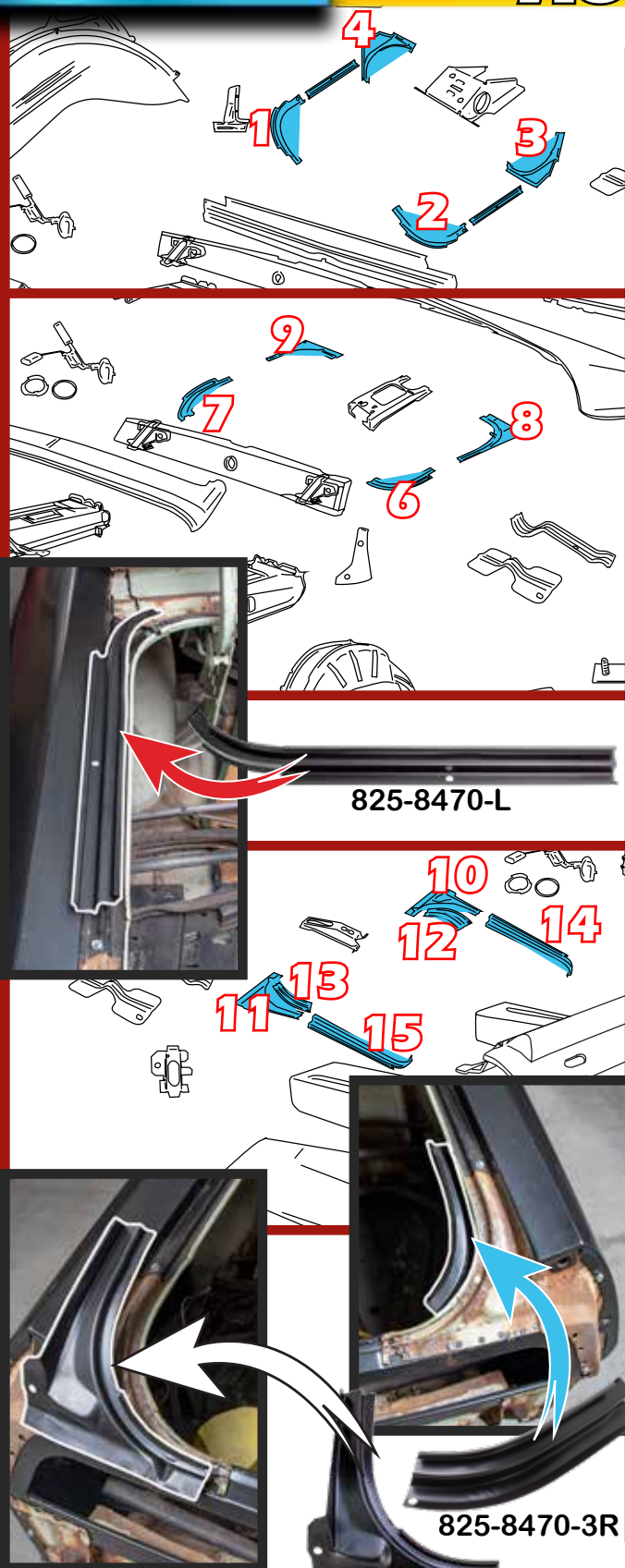


	Item Code	Description
1 	762-8466-1L	FD Fairlane 66-67 Wheelhouse to Trunk Supt Bracket LH
2 	762-8466-1R	FD Fairlane 66-67 Wheelhouse to Trunk Supt Bracket RH
3 	762-8470-1L	Wheelhouse to Roof Support Bracket - LH - 70-71 Torino
4 	762-8470-1R	Wheelhouse to Roof Brace - RH - 70-71 Torino





Item Code	Description
810-8466	Trunk Lock Support - 66-67 Fairlane (except Convertible)
810-8468	Trunk Lock Support - 68-69 Fairlane Torino Fastback
810-8470	Trunk Lock Support - 70-71 Fairlane Torino Montego Cyclone (except Wagon)
816-8466	Spare Tire Retainer Hook & Wingnut - 66-67 Fairlane
817-8466	Spare Tire Hold Down Bracket - 66-71 Fairlane; 68-71 Torino
818-8466	Spare Tire Hold Down Anchor - 66-71 Fairlane Torino
818-8466-1	Spare Tire Anchor - 66-67 Fairlane



	Item Code	Description
1	825-8466-1	Trunk Gutter - Upper - LH or RH - 66-71 Fairlane; 68-71 Torino (except Wagon or 68-71 Fastback)
2	825-8466-2	Trunk Gutter - Center - LH or RH - 66-69 Fairlane Torino 2DR
3	825-8466-3L	Trunk Gutter - Lower - LH - 66-67 Fairlane (Except Ranchero & Wagon)
4	825-8466-3R	Trunk Gutter - Lower - RH - 66-67 Fairlane (Except Ranchero & Wagon)
5	825-8466-S	Trunk Gutter Set (6pcs) - 66-67 Fairlane 2DR (Except Wagon & Ranchero)
6	825-8468-1L	Trunk Gutter - Upper - LH - 68-69 Fairlane Torino Fastback
7	825-8468-1R	Trunk Gutter - Upper - RH - 68-69 Fairlane Torino Fastback
8	825-8468-3L	Trunk Gutter - Lower - LH - 68-69 Fairlane Torino Fastback
9	825-8468-3R	Trunk Gutter - Lower - RH - 68-69 Fairlane Torino Fastback
10	825-8470-1L	Lower Corner Trunk Gutter - LH - 70-71 Torino Montego Cyclone (except Wagon)
11	825-8470-1R	Trunk Lock Support - 70-71 Fairlane Torino Montego Cyclone (except Wagon)
12	825-8470-3L	Inside Lower Corner Trunk Gutter Lip - LH - 70-71 Fairlane Torino
13	825-8470-3R	Inside Lower Corner Trunk Gutter Lip - RH - 70-71 Fairlane Torino
14	825-8470-L	Trunk Gutter - Center - LH - 70-71 Fairlane Torino
15	825-8470-R	Trunk Gutter - Center - RH - 70-71 Fairlane Torino

825-8470-1L

TRUNK FLOOR EXTENSIONS



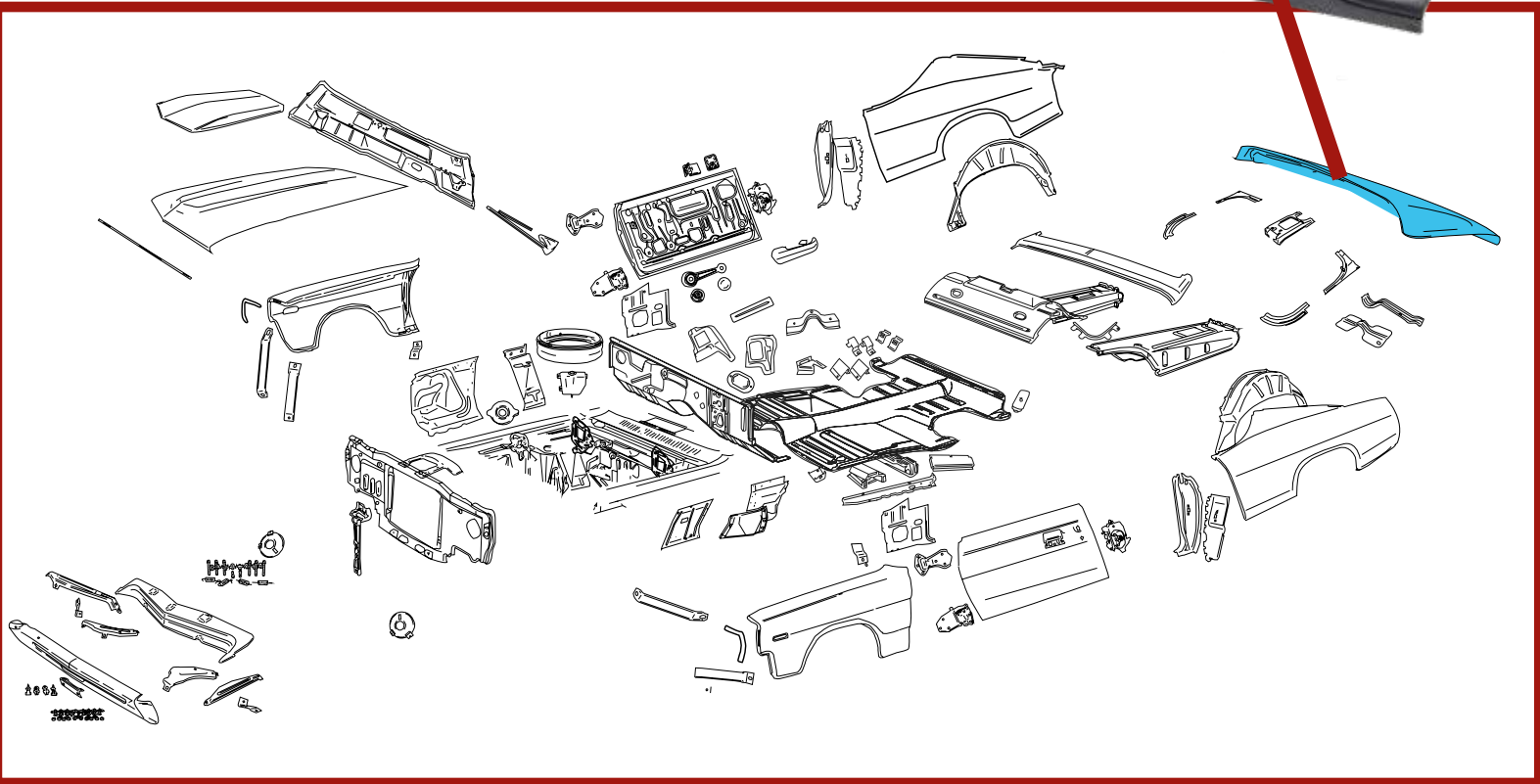
840-8466-L
840-8466-R

840-8468-L
840-8468-R

840-8470-L
840-8470-R

Item Code	Description
840-8466-L	Trunk Floor Side (Extension) - LH - 66-67 Fairlane (except Convertible or Wagon)
840-8466-R	Trunk Floor Side (Extension) - RH - 66-67 Fairlane (except Convertible or Wagon)
840-8468-L	Trunk Floor Side (Extension) - LH - 68-69 Fairlane Torino
840-8468-R	Trunk Floor Side (Extension) - RH - 68-69 Fairlane Torino
840-8470-L	Trunk Floor Side (Extension) - LH - 70-71 Torino Cyclone Montego; 70 Fairlane Comet (except Wagon or Ranchero)
840-8470-R	Trunk Floor Side (Extension) - RH - 70-71 Torino Cyclone Montego; 70 Fairlane Comet (except Wagon or Ranchero)

DECK LID



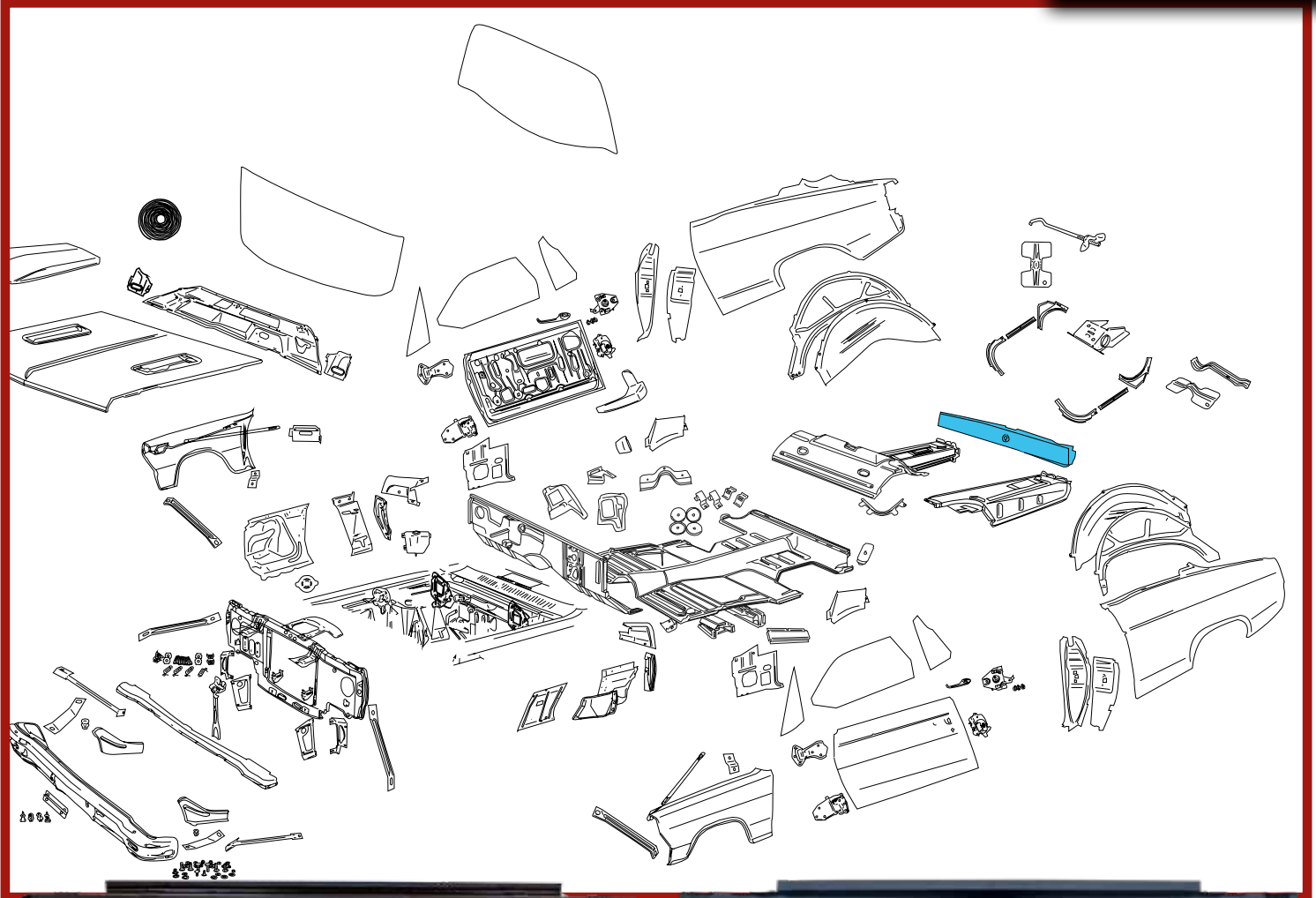
Item Code

850-8468

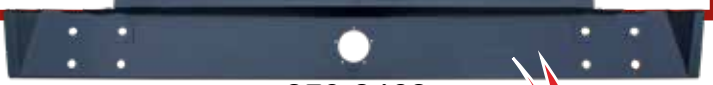
Description

Deck Lid - 68-69 Fairlane Torino





870-8466



870-8468



Item Code	Description
870-8466	Rear Crossrail - 66-67 Fairlane (except Wagon)
870-8468	Rear Crossrail - 68-69 Fairlane Torino (except Wagon)



871-8466-L
871-8466-R

Item Code	Description
871-8466-L	Frame Rail to Rear Crossmember Bracket - LH - 66-69 Fairlane; 68-69 Torino
871-8466-R	Frame Rail to Rear Crossmember Bracket - RH - 66-69 Fairlane; 68-69 Torino
871-8468-L	Rear Crossmember to Tail Panel Corner Reinforcement - LH - 68-69 Fairlane Torino
871-8468-R	Rear Crossmember to Tail Panel Corner Reinforcement - RH - 68-69 Fairlane Torino



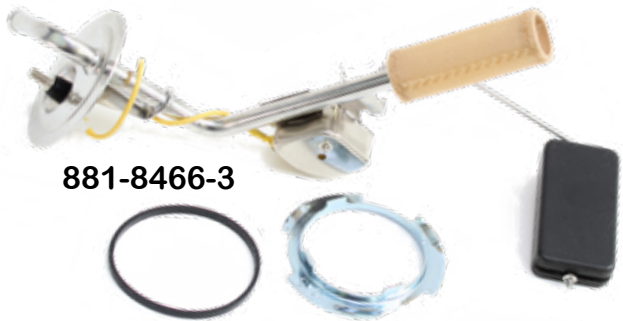
871-8468-L
871-8468-R



881-8462-3



881-8462-5



881-8466-3



881-8468

Item Code	Description
881-8462-3	Gas Tank Sending Unit - 3/8" Outlet - 62-65 Fairlane
881-8462-5	Gas Tank Sending Unit - 5/16" Outlet - 62-65 Fairlane
881-8466-3	Gas Tank Sending Unit - FAIRLANE
881-8468	Gas Tank Sending Unit - FORD TORINO '68 ON



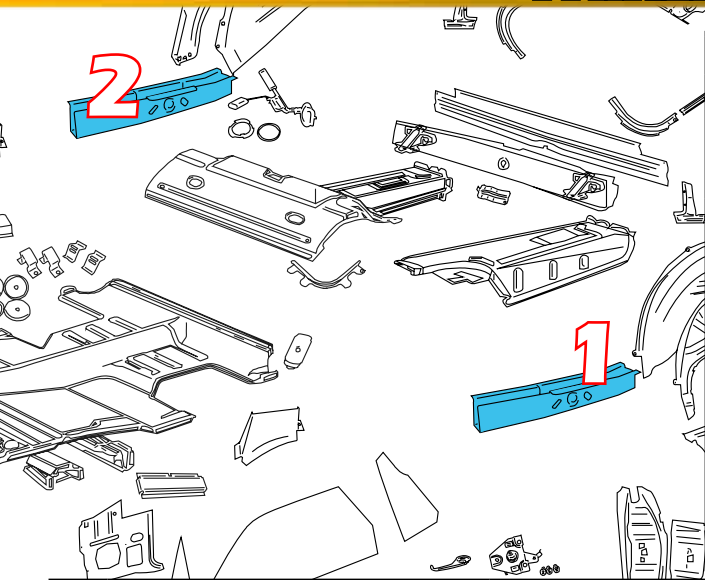
885-8466



891-8467

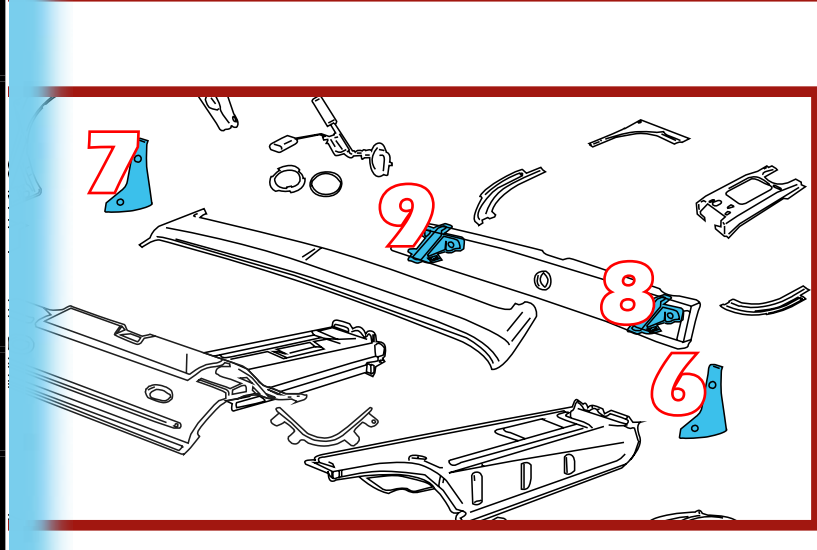
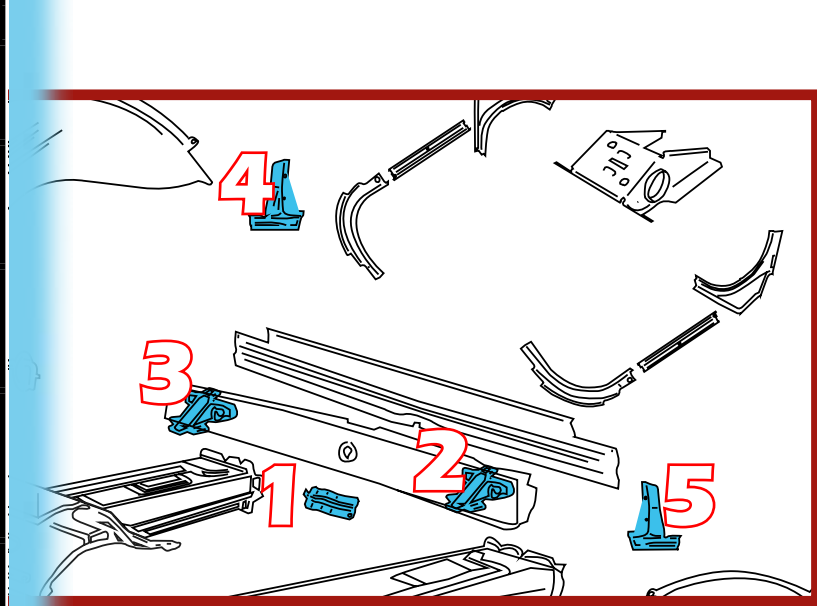
Item Code	Description
885-8466	Inside Trunk Exhaust Hanger - 66-69 Fairlane; 68-69 Torino
891-8467	Fuel Tank Air Relief to Vent Tube Connector - 67-69 Fairlane Torino Comet Cyclone Montego (except Wagon)

FAIRLANE/TORINO



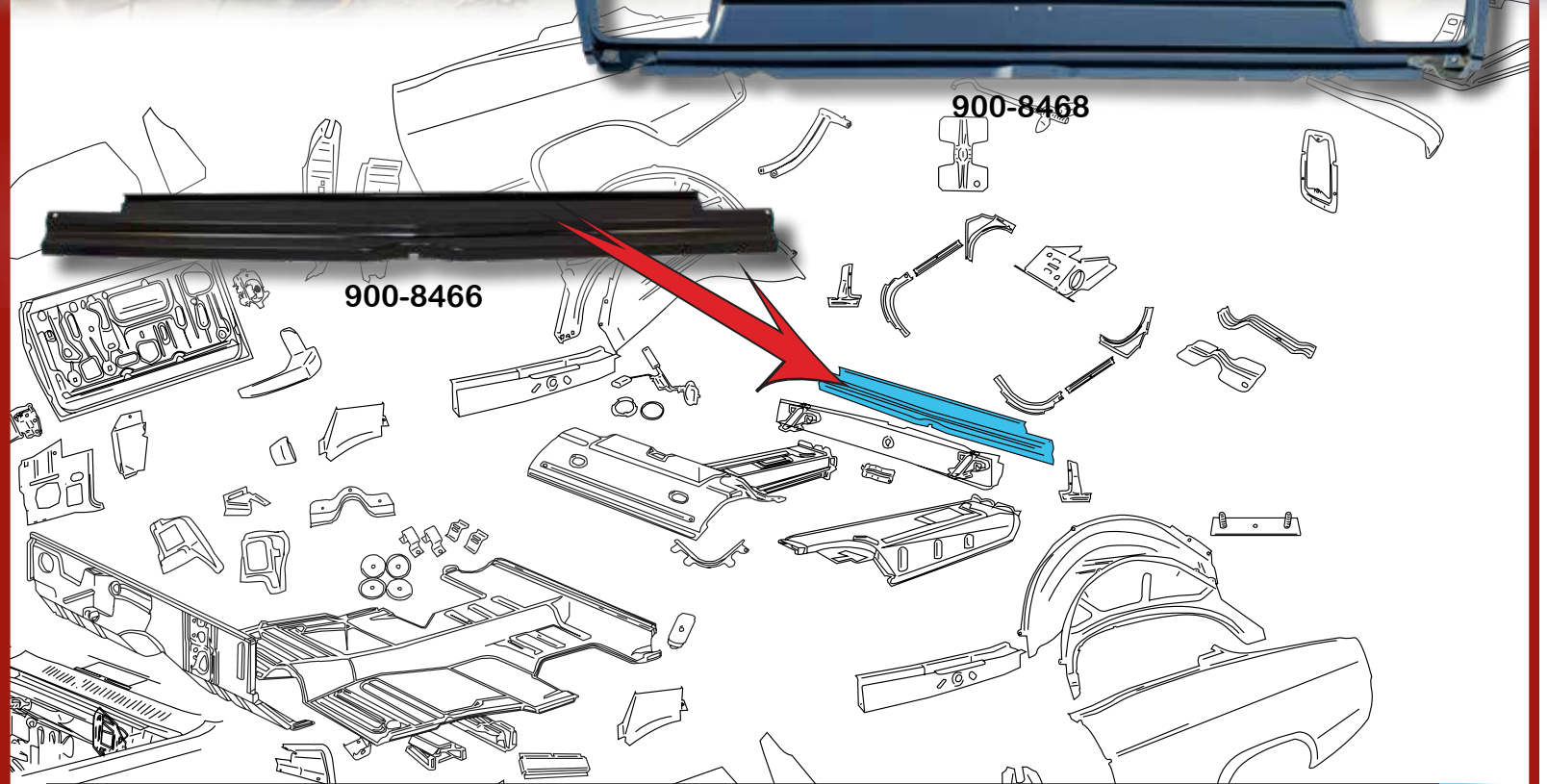
Item Code	Description
895-8466-1L	Rear Frame Rail Patch - LH - 66-67 Fairlane Comet Cyclone (except Convertible, Wagon, or Ranchero) (rear 23.5")
895-8466-1R	Rear Frame Rail Patch - RH - 66-67 Fairlane Comet Cyclone (except Convertible, Wagon, or Ranchero) (last 23.5")
895-8468-1L	Rear Frame Rail Patch - LH - 68-69 Fairlane Torino (except Convertible, Wagon, or Ranchero) (rear 23.5")
895-8468-1R	Rear Frame Rail Patch - RH - 68-69 Fairlane Torino (except Convertible, Wagon, or Ranchero) (rear 23.5")

Item Code	Description
920-8466	Rear Body Panel Reinforcement Bracket - Small Inner - LH or RH - 66-67 Fairlane
920-8466-1L	Taillight Panel to Crossrail Brace - LH - 66-69 Fairlane; 68-69 Torino
920-8466-1R	Taillight Panel to Crossrail Brace - RH - 66-69 Fairlane; 68-69 Torino
920-8466-L	Rear Body Panel Reinforcement - LH - 66-67 Fairlane
920-8466-R	Rear Body Panel Reinforcement - RH - 66-67 Fairlane
920-8468-1L	Taillight Panel Reinforcement - Upper - LH - 68-69 Fairlane Torino
920-8468-1R	Taillight Panel Reinforcement - Upper - RH - 68-69 Fairlane Torino
920-8468-L	Taillight Panel Reinforcement - Lower - LH - 68-69 Fairlane Torino
920-8468-R	Taillight Panel Reinforcement - Lower - RH - 68-69 Fairlane Torino





TAIL LIGHTS



900-8466

900-8468

Item Code	Description
900-8466	Rear Body Panel - 66-67 Fairlane
900-8468	Taillight Panel - 68-69 Fairlane Torino Fastback



	Item Code	Description
1	920-8470-L	Trunk Floor Extension to Taillight Panel Brace - LH - 70-71 Torino
2	920-8470-R	Trunk Floor Extension to Taillight Panel Brace - RH - 70-71 Torino
3	953-8466	Taillight Bezel Reinforcement - LH or RH - 66 Fairlane
4	953-8467	Taillight Bezel Reinforcement - LH or RH - 67 Fairlane
5	X953-8468-P	Taillight Bezels - LH/RH Pair - 68-69 Fairlane Torino Fastback
6	X954-8468-P	Taillight Seals - LH/RH Pair - 68-69 Fairlane Torino Fastback
7	X963-8468-1P	Exhaust Hanger & Insulator Assembly (Concours Quality w/ FoMoCo Script) - 68-70 Fairlane Cyclone; 68-71 Torino Montego (Except Wagon)
8	X963-8469-P	Exhaust Tips (2.25") - LH/RH Pair - 69 Torino Cyclone
9	X963-8470-P	Exhaust Tips (2.25") - LH/RH Pair - 70-71 Torino Cyclone

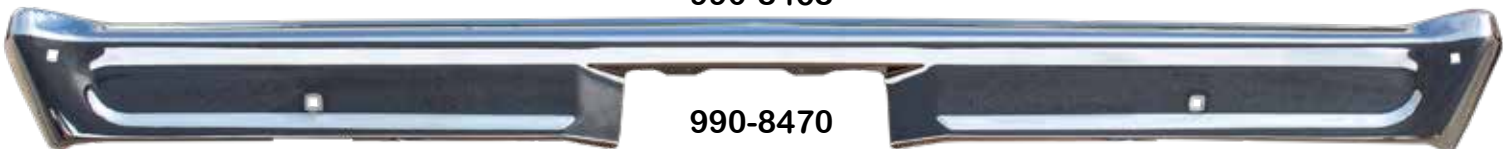
REAR BUMPERS



990-8466

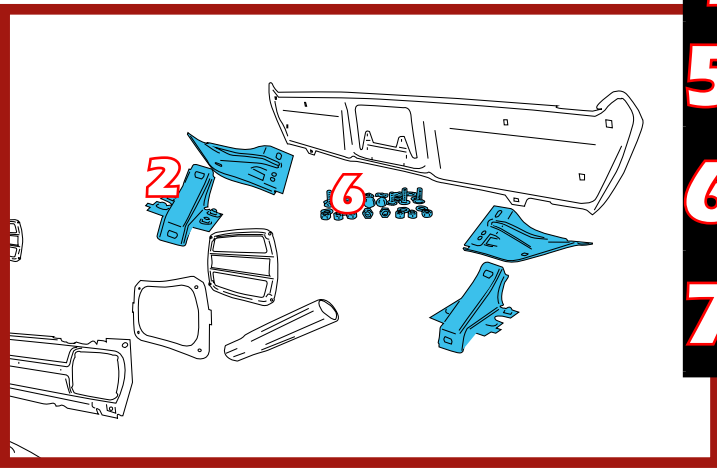
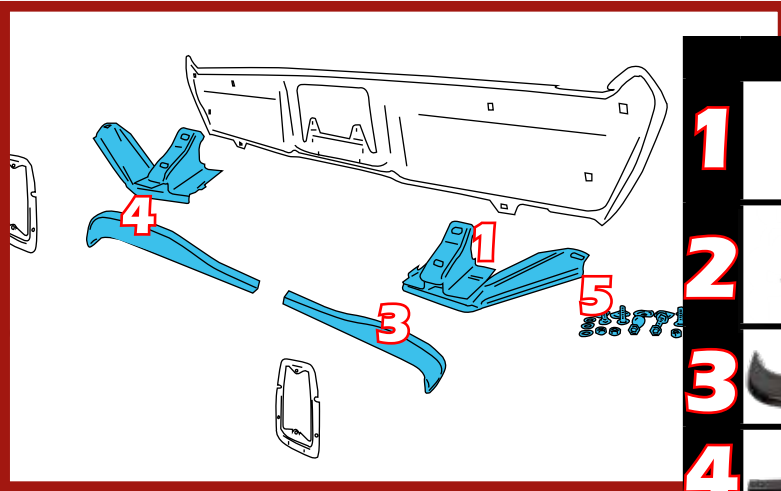


990-8468



990-8470

Item Code	Description
990-8466	Rear Bumper- 66-67 Fairlane
990-8468	Rear Bumper - 68-69 Fairlane, Torino (Exc: Ranchero & Station Wagon); 68-69 Cyclone Fastback
990-8470	Rear Bumper - 70-71 Torino



	Item Code	Description
1	970-8466-S	Fairlane 1966-1967 RR Bumper Bracket LH+RH=4PCS/SET
2	970-8468-S	Rear Bumper Bracket Set - Inner & Outer (4pcs) - 68-69 Fairlane Torino
3	975-8466-L	Rear Bumper Filler - LH - 66-67 Fairlane
4	975-8466-R	Rear Bumper Filler - RH - 66-67 Fairlane
5	991-8466-S	Rear Bumper Bolt Kit (24pcs) - 66-67 Falcon; 66-67 Fairlane; 67 Ranchero
6	991-8468-S	Rear Bumper Bolt Kit (30pcs) - 68-69 Fairlane Torino Ranchero
7	991-8470-S	Rear Bumper Bolt Kit (24pcs) - 70-71 Torino Ranchero



AUTOMETALDIRECT.COM

WINDSHIELD



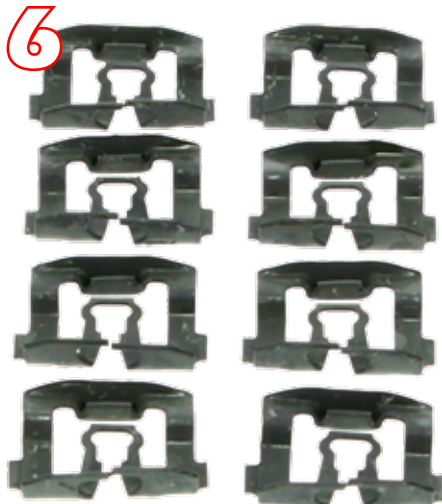
380-8470-C



380-8466-C



384-1000-3



X385-8468-11S

	Item Code	Description
1	380-8466-C	Windshield - Clear - 66-67 Fairlane 2DR Hardtop Convertible
2	380-8466-T	Windshield - Green Tint - 66-67 Fairlane 2DR Hardtop Convertible
3	380-8470-C	Windshield - Clear - 70-71 Torino GT Fastback
4	384-1000-3	Window Ribbon Seal - 3/8" x 15'
5	384-1000-5	Window Ribbon Seal - 5/16" x 15'
6	X385-8468-11S	Windshield Molding Clip Set (8pcs) - 68-69 Fairlane Torino

DOOR GLASS



550-8466-CL
550-8466-CR

550-8466-TL
550-8466-TR

550-8470-CL
550-8470-CR

550-8470-TL
550-8470-TR

Item Code	Description
550-8466-CL	Door Glass - Clear - LH - 66-67 Fairlane Fastback
550-8466-CR	Door Glass - Clear - RH - 66-67 Fairlane Fastback
550-8466-TL	Door Glass - Green Tint - LH - 66-67 Fairlane Fastback
550-8466-TR	Door Glass - Green Tint - RH - 66-67 Fairlane Fastback
550-8470-CL	Door Glass - Clear - LH - 70-71 Torino Fastback
550-8470-CR	Door Glass - Clear - RH - 70-71 Torino Fastback
550-8470-TL	Door Glass - Green Tint - LH - 70-71 Torino Fastback
550-8470-TR	Door Glass - Green Tint - RH - 70-71 Torino Fastback



660-8470-T

	Item Code	Description
1	660-8466-C	Back Glass - Clear - 66-67 Fairlane Comet Cyclone Fastback
2	660-8466-T	Back Glass - Green Tint - 66-67 Fairlane Comet Cyclone Fastback

	Item Code	Description
3	660-8470-C	Back Glass - Clear - 70-71 Torino Fastback
4	660-8470-T	Back Glass - Green Tint - 70-71 Torino Fastback (except 71 w/ Defroster Grid)
5	670-8468-S	Back Glass Molding Set - 4pcs - 68-69 Fairlane Torino
6	X671-8468-2S	Back Glass Molding Clip Set (27pcs) - 68-69 Torino Cyclone Fastback

VENT GLASS



560-8466-CL
560-8466-CR



560-8466-TL
560-8466-TR

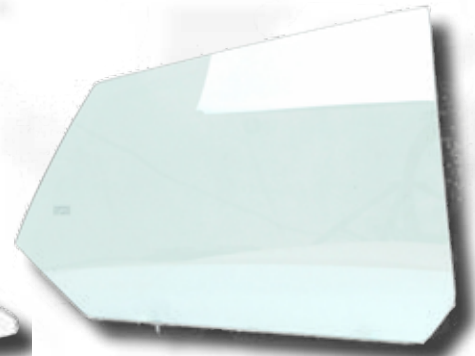
Item Code	Description
560-8466-CL	Vent Glass - Clear - LH - 66-67 Fairlane Fastback Convertible
560-8466-CR	Vent Glass - Clear - RH - 66-67 Fairlane Fastback Convertible
560-8466-TL	Vent Glass - Green Tint - LH - 66-67 Fairlane Fastback Convertible
560-8466-TR	Vent Glass - Green Tint - RH - 66-67 Fairlane Fastback Convertible



QUARTER GLASS



795-8466-L
795-8466-R



795-8470-L
795-8470-R

Item Code	Description
795-8466-CL	Quarter Glass - Clear - LH - 66-67 Fairlane Fastback
795-8466-CR	Quarter Glass - Clear - RH - 66-67 Fairlane Fastback
795-8466-TL	Quarter Glass - Green Tint - LH - 66-67 Fairlane Fastback
795-8466-TR	Quarter Glass - Green Tint - RH - 66-67 Fairlane Fastback
795-8470-CL	Quarter Glass - Clear - LH - 70-71 Torino
795-8470-CR	Quarter Glass - Clear - RH - 70-71 Torino
795-8470-TL	Quarter Glass - Green Tint - LH - 70-71 Torino
795-8470-TR	Quarter Glass - Green Tint - LH - 70-71 Torino

MASTER BODY HARDWARE KIT

Item Code	Description
X225-8466-S	Master Body Hardware Kit (365 pcs) - 66 Fairlane
X225-8467-S	Master Body Hardware Kit (365 pcs) - 67 Fairlane
X225-8468-S	Master Body Hardware Kit (412 pcs) - 68 Fairlane, Torino
X225-8469-S	Master Body Hardware Kit (398 pcs) - 69 Fairlane, Torino
X225-8470-1S	Master Body Hardware Kit (489 pcs) - 70 Torino w/ Hideaway Headlamps
X225-8470-2S	Master Body Hardware Kit (487 pcs) - 70 Torino (Cobra)
X225-8470-S	Master Body Hardware Kit (501 pcs) - 70 Torino (Standard)
X225-8471-1S	Master Body Hardware Kit (489 pcs) - 71 Torino w/ Hideaway Headlamps
X225-8471-2S	Master Body Hardware Kit (479 pcs) - 71 Torino (Cobra)
X225-8471-S	Master Body Hardware Kit (491 pcs) - 71 Torino (Standard)
X225-8766-S	Master Body Hardware Kit (394 pcs) - 66 Ranchero

INDEX

Description	Page
Back Glass	59
Back Glass Molding Clip Set	59
Bucket Seat Floor Support / Bracket	29
Center Floor Pan Brace w/ Seat Anchor	29
Console Arm Rest	34
Deck Filler Panel	41
Deck Filler to Package Tray Bracket	41
Deck Lid	49
Door Glass	53
Door Hinge Set	36
Door Jamb Lock Pillar w/ Reinforcement	43
Door Latch	37
Door Shell	35
Exhaust Hanger & Insulator Assembly	54
Exhaust Tips	54
Fender Eyebrow Moldings	13
Fender to Bumper Bracket Brace	13
Fender to Radiator Support Bracket	13
Firewall	26
Floor Pan	28
Floor Pan Accessory Set	33
Floor Pan Park Brake Cable J-Hook Bracket	32
Floor Pan Park Brake Cable Retainer Bracket	32
Floor Pan Plug	32
Floor Pan Rear Seat Back Support Brackets	32
Frame Rail to Rear Crossmember Bracket	51
Front and Rear License Plate Hardware Kit	9
Front Bumper	8
Front Bumper Bolt Kit	8
Front Bumper Bracket Set	10
Front Bumper Filler	10
Front Bumper to Fender Bracket	10
Front Crossmember Lower Reinforcement (Jack Pad)	29
Front Fender	12
Front Fender Apron to Dash Braces	13
Front Fender to Radiator Support Brace	13

Description	Page
Front Floor Brace	32
Front License Plate Bracket	9
Front Seat Floor Brace	29
Fuel Tank Air Relief to Vent Tube Connector	51
Gas Tank Sending Unit	51
Grille Support Brace	14
Grille to Bumper Filler Panel	10
Headlamp Adjuster Kit	11
Headlamp Mounting Ring	11
Headlight Brace	11
Hood	18
Hood Hinges	9
Hood Latch Support	19
Hood Latch Support Brace	19
Hood Lip Molding	20
Hood Lip Molding Mounting Strip	20
Ignition Switch Bezel	34
Inner Cowl Side Assembly	27
Inner Cowl Side Extension	25
Inner Fender	15
Inner Wheelhouse	44
Inside Door Handle Remote	37
Inside Trunk Exhaust Hanger	51
Interior Door Handle	37
Interior Front Door Handle Cup	37
Lower Door Hinge	36
Lower Door Hinge Pillar	27
Lower Firewall (Toe Board) Patch	26
Lower Radiator Support Mounting Brackets	22
Lower Rear Fender Brace	13
Lower Rear Fender Splash Shield	17
Master Body Hardware Kit	61
Outer Front Shock Tower Brace	15
Outer Wheelhouse	44
Outer Wheelhouse to Roof Support	39
Over The Axle Rear Floor Panel	34

INDEX

Description	Page
Package Tray to Floor Support	39
Quarter Glass	60
Quarter Panel	42
Radiator Cap	22
Radiator Support	21
Radiator Support to Fender Brace	22
Radiator Support Upper Bracket	22
Ram Air Seal	20
Rear Body Panel	52
Rear Body Panel Reinforcement	52
Rear Body Panel Reinforcement Bracket	52
Rear Bumper	55
Rear Bumper Bolt Kit	56
Rear Bumper Bracket Set	56
Rear Bumper Filler	56
Rear Crossmember to Tail Panel Corner Reinforcement	51
Rear Crossrail	50
Rear Frame Rail Patch	52
Rear Seat Attach Bracket Set	32
Rear Seat Base Perch	32
Rocker Panel End Cap	34
Seat Belt Anchor to Floor Pan Reinforcements	29
Shifter Tunnel Hump	32
Side Floor to Rear Seat Pan Bracket	32
Spare Tire Anchor	46
Spare Tire Hold Down Anchor	46
Spare Tire Hold Down Bracket	46
Spare Tire Retainer Hook & Wingnut	46
Steering Column Collar	34
Sun Visor Arm and Bracket	40
Taillight Bezel Reinforcement	54
Taillight Bezels	54
Taillight Panel	53
Taillight Panel Reinforcement	52
Taillight Panel to Crossrail Brace	52
Taillight Seals	54

Description	Page
Trunk Floor Extension to Taillight Panel Brace	54
Trunk Floor Side (Extension)	48
Trunk Gutter	47
Trunk Lock Support	47
Universal Steel Hood Scoop	18
Upper Cowl	23
Upper Cowl Lower Bracket	25
Upper Cowl to Inner Fender Brace	25
Upper Door Hinge	36
Upper Grille Support Bracket	14
Upper Radiator Mounting Bracket	22
Upper Rear Fender Splash Shield	17
Vent Glass	60
Vent Window Handle	38
Wheelhouse to Roof Brace	45
Wheelhouse to Roof Support Bracket	45
Wheelhouse to Trunk Support Bracket	45
Window Crank Handle	38
Window Crank Handle Knob	38
Window Crank Handle Screw Cover	38
Window Crank Handle w/o Knob	38
Window Regulator	38
Window Ribbon Seal	57
Windshield	57
Windshield Corner Bracket	25
Windshield Molding Clip Set	57
Windshield Washer Bottle and Cap	20