



CHEVY GMC TRUCK / SUV RESTORATION PARTS



## 2023 NSRA Giveaway Truck by Harrison's Rod & Custom

Proudly Sponsored by



Follow along on Instagram at [@harrisonsrodshop](https://www.instagram.com/harrisonsrodshop) for build updates and progress.  
For more information on how you can win this truck, visit [www.NSRA-USA.com](http://www.NSRA-USA.com)



# CLASSIC TRUCK SHOW DIRECTORY

**Battle In Bama**  
[battleinbama.net](http://battleinbama.net)

**BloodDrag**  
[blooddrag.com](http://blooddrag.com)

**C10 Fall Revival**  
[c10fallrevival.com](http://c10fallrevival.com)

**C10's In The City**  
[c10sinthecity.com](http://c10sinthecity.com)

**C10 Nationals**  
[c10nationals.com](http://c10nationals.com)

**C10 Shindig**  
[c10shindig.com](http://c10shindig.com)

**C10 Intervention**  
[c10intervention.com](http://c10intervention.com)

**Classic Truck Throwdown**  
[classictruckthrowdown.com](http://classictruckthrowdown.com)

**Dino's Git Down**  
[dinosgitdown.com](http://dinosgitdown.com)

**Trucks & Cheeseburgers**  
[@trucksandcheeseburgers](https://www.instagram.com/trucksandcheeseburgers)

**GM Truck Fair**  
[@gmtruckfair](https://www.instagram.com/gmtruckfair)

**Good Guys**  
[good-guys.com](http://good-guys.com)

**Grounded Truck Gathering**  
[groundedtruckgathering.com](http://groundedtruckgathering.com)

**Lonestar Throwdown**  
[lonestarthrowdown.com](http://lonestarthrowdown.com)

**Meet -N- Eat Atlanta**  
[autometaldirect.com](http://autometaldirect.com)

**Midwest Truck Nationals**  
[midwesttrucknationals.com](http://midwesttrucknationals.com)

**No Regrets CC Toy Drive**  
[@nrtoydrive](https://www.instagram.com/nrtoydrive)

**NSRA**  
[nsra-usa.com](http://nsra-usa.com)

**Pro Touring Truck Shootout**  
[protouringtruckshootout.com](http://protouringtruckshootout.com)

**Slamfest**  
[slamfest.com](http://slamfest.com)

**South Eastern Truck Nationals**  
[gmtruckshow.com](http://gmtruckshow.com)

**The Reunion Show**  
[reuniontruckshow.com](http://reuniontruckshow.com)



# TABLE OF CONTENTS

pg. 3	<b>47-54</b>	TRUCK
pg. 18	<b>55-59</b>	TRUCK
pg. 32	<b>60-66</b>	TRUCK
pg. 48	<b>67-72</b>	TRUCK
pg. 102	<b>73-87</b>	TRUCK
pg. 138	<b>88-98</b>	TRUCK
pg. 154	<b>99-07</b>	TRUCK
pg. 156	<b>82-04</b>	S-10



pg. 82	INTRO
pg. 86	SLAM DANCIN'
pg. 90	CLEARANCE CLARENCE
pg. 153	CLASSIC TRUCK SHOWS
pg. 158	APPAREL
pg. 160	INFORMATION
pg. 161	COVER TRUCKS



## INDEX

Description	Page	Description	Page	Description	Page
Back Glass	14	Door Lock Cylinder Retaining Clip	11	Hood Hinge	7
Back Glass Window Gasket	14	Door Pillar Repair Panel, Lower Rear	8	Hood Latch	7
Ball End Hook Tool	15	Door Rubber Bumper Kit	11	Hood Latch Panel	7
Battery Hold Down	5	Door Seal on Door	11	Hood Molding	7
Battery Tray Assembly	5	Door Shell, Front	10	Ignition Switch	16
Bed Cross Sill	12	Door Skin Repair Panel, Outer Front	10	License Plate Bracket, Front	4
Bedside	12	Door Striker Screw Set	11	Lighter Assembly	16
Beltline Window Felts	15	Door Strikers	11	Park Lamp Assembly	6
Bumper Bolt Set	4	Fender Lower Front Repair Panel	5	Park Lamp Bezel	6
Bumper Bracket Set, Front	4	Fender Lower Rear Repair Panel	5	Park Lamp Lens	6
Bumper Bracket Set, Rear	4	Fender to Firewall Brace Kit	5	Radiator / Grille Support Panel	7
Bumper Guards, Front	4	Fender, Front	5	Rocker Panel	9
Bumper, Front	4	Fender, Rear	12	Running Board	9
Bumper, Rear	4	Floor & Toe Repair Panel	9	Running Board Splash Apron	12
Cab Corner, Inner	9	Footwell Kick Panel	9	Speedometer Cable	16
Cab Corner, Outer	9	Footwell to Outer Cowl Filler Panel	8	Splash Apron	4
Cab Floor Support, Front	9	Front Bed Panel	12	Sun Visor	16
Cab Floor Support, Rear	9	Gas Cap	17	Sun Visor Bracket	16
Center Dash	16	Gas Tank	17	Tail Lamp Bracket	13
Center Vertical Windshield Molding	14	Glass Run Window Channel Seal	15	Tailgate	12
Center Windshield Molding Bracket	14	Glass Seal Rope-In Tool	15	Tailgate Chain Covers	12
Cowl Side / Footwell Panel, Inner	8	Glove Box Door	16	Tailgate Chains	12
Cowl Side Rail Patch, Inner Lower Front	8	Glove Box Door Bumpers	16	Tailgate Hinges	12
Cowl Side Repair Panel, Lower	8	Glove Box Liner	16	Tailgate Latch Kit	13
Cowl Side Repair Panel, Outer	8	Glove Box Lock Retainer	16	Transmission Cover Plate	9
Division Bar Felt Insert	15	Grille	6	Vent Glass	15
Door Bottom Repair Panel, Inner	10	Grille Support Frame	6	Weatherstrip Kit	15
Door Glass	15	Headlamp Adjuster Nut	6	Weatherstrip Stick	15
Door Glass Assembly	15	Headlamp Adjuster Spring	6	Window & Door Handle Removal Tool	15
Door Glass Guide, Lower Rear	15	Headlamp Bezels	6	Window Regulator	11
Door Handle Set, Outside	11	Headlamp Bucket Assembly	6	Windshield	14
Door Handle Washer, Interior	11	Headlamp Dimmer Switch	16	Windshield Gasket	14
Door Handle, Interior	11	Headlamp Mounting Ring	6	Windshield Seal	14
Door Hinge Pillar Repair Panel	8	Headlamp Switch	16	Wiper Arm	14
Door Latch Assembly	11	Hood	7	Wiper Arm Bezel Set	14
Door Latch Relay	11	Hood Bumper Kit	7	Wiper Blade	14
Door Latch Screw Set	11	Hood Emblem	7	Wiper Hold Down Nut Set	14



## FRONT BUMPERS



AMD bumpers are made from heavy gauge steel and feature OE quality chrome finish. Installation is fast and easy as all parts are designed to be a direct bolt-on utilizing OE bumper brackets and hardware. Our bumpers are backed by a 5 year limited rust-through warranty, giving you peace of mind and confidence in your purchase.

#	YEAR	MAKE	DESCRIPTION	MODEL	PART #
1	47-55	Chevy GMC	Front Bumper - Chrome	TRK, SUV	100-4047-I
2	47-55	Chevy GMC	Front Bumper Bolt Set - Chrome	TRK, SUV	K-K219
3	47-55	Chevy GMC	Front Bumper Bracket Set w/ Hardware	TRK, SUV	105-4047-S
4	47-53	Chevy GMC	Front License Plate Bracket - Paintable	TRK, SUV	102-4047
5	47-53	Chevy GMC	Front License Plate Bracket - Chrome	TRK, SUV	102-4047-I



#	YEAR	MAKE	DESCRIPTION	MODEL	PART #
6	47-53	Chevy	Splash Apron - Paintable	TRK	115-4047
7	47-53	Chevy	Splash Apron - Chrome	TRK	115-4047-C



VISIT US ONLINE FOR THE MOST UP-TO-DATE PRICING AND SELECTION



## REAR BUMPERS



#	YEAR	MAKE	DESCRIPTION	MODEL	PART #
1	47-53	Chevy GMC	Rear Bumper - Chrome	TRK	990-4047-I
2	54-55	Chevy GMC	Rear Bumper - Chrome	TRK	990-4054-I
3	47-55	Chevy GMC	Rear Bumper - Chrome	SUV	100-4047-I
4	47-55	Chevy GMC	Rear Bumper Bolt Set - Chrome	TRK, SUV	K-K219
5	47-55	Chevy GMC	Rear Bumper Bracket Set - w/ Hardware	TRK	970-4047-S
6	47-53	Chevy GMC	Rear Bumper Filler Splash Panel	TRK	975-4047

## FRONT FENDERS



#	YEAR	MAKE	DESCRIPTION	MODEL	PART #
1	47-53	Chevy	Fender - LH	TRK, SUV	X200-4047-L
	47-53	Chevy	Fender - RH	TRK, SUV	X200-4047-R
2	54-55	Chevy GMC	Fender - LH	TRK, SUV	X200-4054-L
	54-55	Chevy GMC	Fender - RH	TRK, SUV	X200-4054-R



Fender patch panels from Auto Metal Direct are manufactured from high-quality steel and come EDP coated to prevent rust and corrosion prior to installation. Fender patches can take more time to install than replacement fenders but the cost savings make them an approachable solution to any restoration.

#	YEAR	MAKE	DESCRIPTION	MODEL	PART #
3	47-53	Chevy	Fender Lower Front Repair Panel - LH	TRK, SUV	204-4047-L
	47-53	Chevy	Fender Lower Front Repair Panel - RH	TRK, SUV	204-4047-R
4	47-53	Chevy GMC	Fender Lower Rear Repair Panel -LH	TRK, SUV	205-4047-L
	47-53	Chevy GMC	Fender Lower Rear Repair Panel - RH	TRK, SUV	205-4047-R



VISIT US ONLINE FOR THE MOST UP-TO-DATE PRICING AND SELECTION



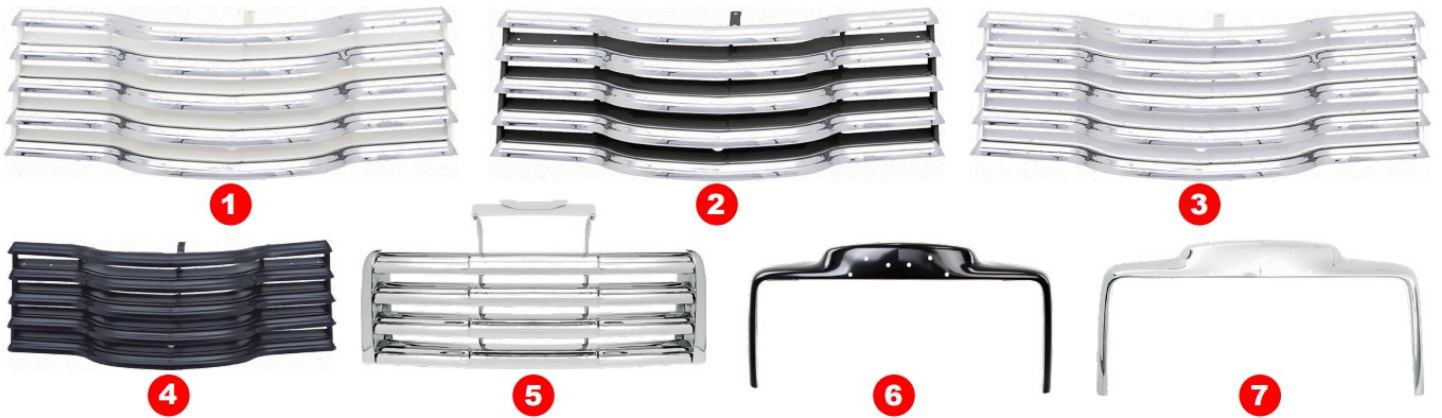
#	YEAR	MAKE	DESCRIPTION	MODEL	PART #
5	47-55	Chevy GMC	Battery Tray Assembly	TRK	X340-4047
6	47-55	Chevy GMC	Battery Tray Assembly	TRK	X341-4047

#	YEAR	MAKE	DESCRIPTION	MODEL	PART #
7	47-55	Chevy	Fender to Firewall Brace Kit - Pair	TRK	261-4047-P
8	47-55	Chevy	Fender to Firewall Brace Kit - Pair	TRK	261-4047-SSP



WARNING: Cancer and Reproductive Harm - www.P65Warnings.ca.gov

**GRILLES**



VISIT US ONLINE FOR THE MOST UP-TO-DATE PRICING AND SELECTION

#	YEAR	MAKE	DESCRIPTION	MODEL	PART #
1	47-53	Chevy	Grille - Chrome - w/ White Brackets	TRK, SUV	K-CX1242
2	47-53	Chevy	Grille - Chrome - w/ Black Brackets	TRK, SUV	K-CX1928
3	47-53	Chevy	Grille - Chrome - w/ Chrome Brackets	TRK, SUV	K-CX1929
4	47-53	Chevy	Grille - Paintable	TRK, SUV	K-CX1555
5	47-54	GMC	Grille - Chrome	TRK, SUV	K-T70715
6	47-53	GMC	Grille Support Frame - Paintable	TRK, SUV	X160-4947
7	47-53	GMC	Grille Support Frame - Chrome	TRK, SUV	K-14869



#	YEAR	MAKE	DESCRIPTION	MODEL	PART #
8	47-53	Chevy	Park Lamp Assembly - 6V Clear Lens - LH or RH	TRK	K-CT25630
9	47-53	Chevy	Park Lamp Assembly - 6V Amber Lens - LH or RH	TRK	K-T70454
10	47-53	Chevy	Park Lamp Assembly - 12V Clear Lens - LH or RH	TRK, SUV	X135-4047-1
11	47-53	Chevy	Park Lamp Assembly - 12V Amber Lens - LH or RH	TRK, SUV	X135-4047-3
12	54-55	Chevy GMC	Park Lamp Assembly - Clear Lens 12V - LH or RH	TRK, SUV	X137-4054-12V
13	47-53	Chevy	Park Lamp Bezel - Chrome - LH or RH	TRK, SUV	X136-4047
14	47-53	Chevy	Park Lamp Lens - Clear - LH or RH	TRK, SUV	X135-4047
15	47-55	Chevy GMC	Headlamp Bucket Assembly - LH or RH	TRK	X141-4047-S
16	47-55	Chevy GMC	Headlamp Mounting Ring - LH or RH	TRK, SUV	W-698
17	47-55	Chevy GMC	Headlamp Adjuster Nut	TRK, SUV	X142-4047-2
18	47-55	Chevy GMC	Headlamp Adjuster Spring	TRK, SUV	X142-4047-3
19	47-55	Chevy GMC	Headlamp Bezels - Pair	TRK	K-CX1224



## HOODS



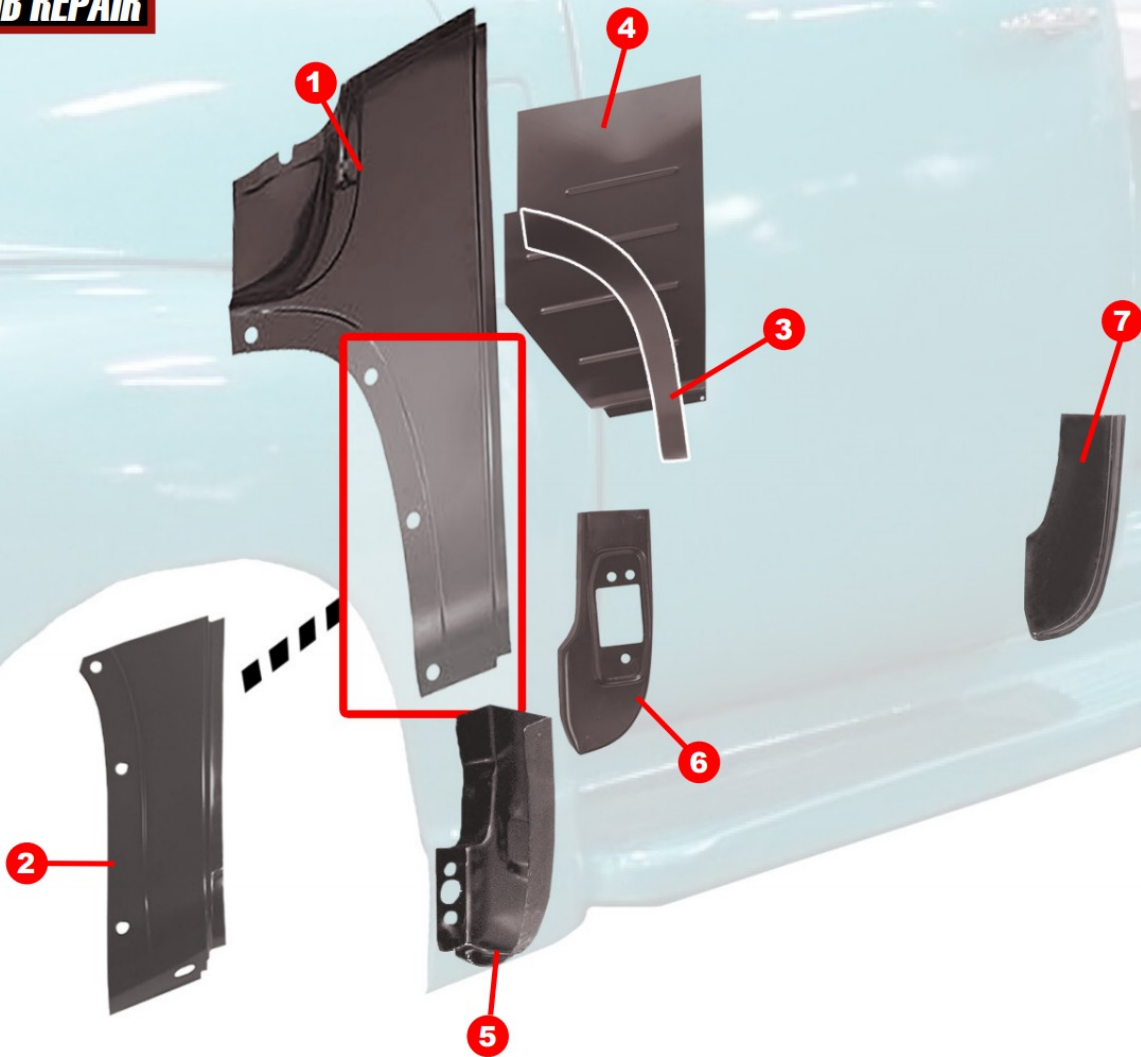
#	YEAR	MAKE	DESCRIPTION	MODEL	PART #
1	47-55	Chevy	OE 2pc Style	TRK, SUV	X300-4047
2	47-55	Chevy GMC	Hood Hinge - LH	TRK, SUV	X310-4047-L
	47-55	Chevy GMC	Hood Hinge - RH	TRK, SUV	X310-4047-R
3	47-53	Chevy	Hood Emblem <small>gm restoration</small>	TRK, SUV	999-4047-3I
4	47-55	Chevy	Hood Molding	TRK, SUV	X330-4047-1
	47-54	GMC	Hood Molding	TRK, SUV	K-368148I
5	47-55	Chevy GMC	Hood Bumper Kit - 10 pcs	TRK, SUV	X305-4047-S
6	47-55	Chevy GMC	Hood Latch Panel - Paintable	TRK, SUV	304-4047-1
7	47-55	Chevy GMC	Hood Latch Panel - Chrome	TRK, SUV	304-4047-1C
8	47-55	Chevy	Hood Latch - Paintable	TRK, SUV	304-4047-2
9	47-55	Chevy	Hood Latch - Chrome	TRK, SUV	304-4047-2C
10	47-53	Chevy	Radiator / Grille Support Panel	TRK, SUV	115-4047-1



VISIT US ONLINE FOR THE MOST UP-TO-DATE PRICING AND SELECTION



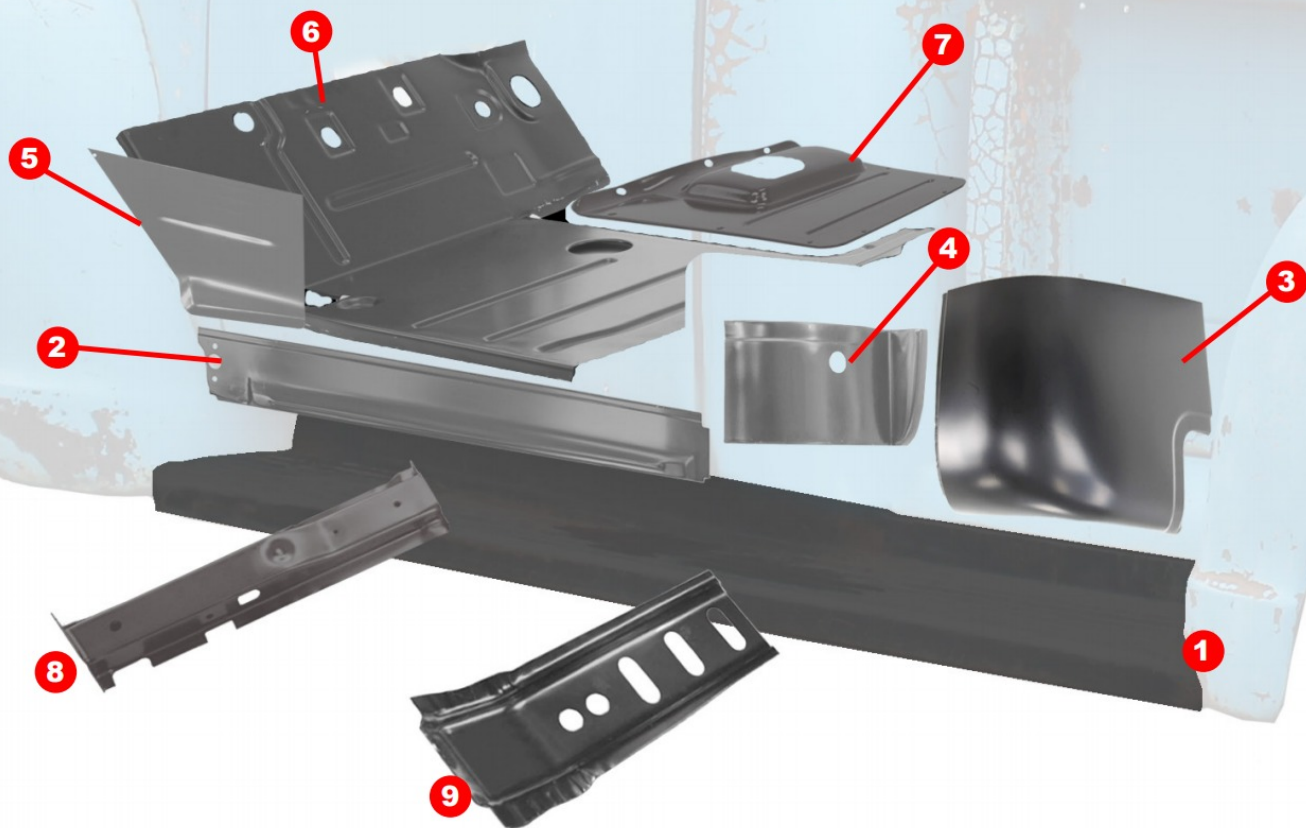
## COWL/JAMB REPAIR



VISIT US ONLINE FOR THE MOST UP-TO-DATE PRICING AND SELECTION

#	YEAR	MAKE	DESCRIPTION	MODEL	PART #
1	47-55	Chevy GMC	Outer Cowl Side Repair Panel - LH	TRK	376-4047-L
	47-55	Chevy GMC	Outer Cowl Side Repair Panel - RH	TRK	376-4047-R
2	47-55	Chevy GMC	Lower Cowl Side Repair Panel - 17" High - LH	TRK	376-4047-1L
	47-55	Chevy GMC	Lower Cowl Side Repair Panel - 17" High - RH	TRK	376-4047-1R
3	47-55	Chevy GMC	Footwell to Outer Cowl Filler Panel - LH	TRK	376-4047-3L
	47-55	Chevy GMC	Footwell to Outer Cowl Filler Panel - RH	TRK	376-4047-3R
4	47-50	Chevy GMC	Inner Cowl Side / Footwell Panel - w/ Louvers - LH	TRK	376-4047-4L
	47-50	Chevy GMC	Inner Cowl Side / Footwell Panel - w/ Louvers - RH	TRK	376-4047-4R
	51-55	Chevy	Inner Cowl Side / Footwell Panel - w/o Louvers - LH	TRK	376-4051-1L
5	47-55	Chevy GMC	Lower Front Inner Cowl Side Rail Patch - 12" High - LH	TRK	252-4047-L
	47-55	Chevy GMC	Lower Front Inner Cowl Side Rail Patch - 12" High - RH	TRK	252-4047-R
6	47-55	Chevy GMC	Front Door Hinge Pillar Repair Panel - 12" High - LH	TRK	376-4047-5L
	47-55	Chevy GMC	Front Door Hinge Pillar Repair Panel - 12" High - RH	TRK	376-4047-5R
7	47-55	Chevy GMC	Lower Door Latch Pillar Repair Panel - 12" High - LH	TRK	376-4047-2L
	47-55	Chevy GMC	Lower Door Latch Pillar Repair Panel - 12" High - RH	TRK	376-4047-2R

## CAB/FLOOR REPAIR



#	YEAR	MAKE	DESCRIPTION	MODEL	PART #
1	47-55	Chevy GMC	Running Board - Paintable - Short Bed - LH	TRK	435-4047-L
	47-55	Chevy GMC	Running Board - Paintable - Short Bed - RH	TRK	435-4047-R
2	47-55	Chevy GMC	Rocker Panel - OE Style - LH	TRK	450-4047-L
	47-55	Chevy GMC	Rocker Panel - OE Style - RH	TRK	450-4047-R
3	47-55	Chevy GMC	Outer Cab Corner - LH	TRK	480-4047-L
	47-55	Chevy GMC	Outer Cab Corner - RH	TRK	480-4047-R
4	47-55	Chevy GMC	Inner Cab Corner - LH	TRK	481-4047-L
	47-55	Chevy GMC	Inner Cab Corner - RH	TRK	481-4047-R
5	47-55	Chevy GMC	Footwell (Kick Panel) - LH	TRK	402-4047-L
	47-55	Chevy GMC	Footwell (Kick Panel) - RH	TRK	402-4047-R
6	47-55	Chevy GMC	Front Floor & Toe Repair Panel - LH	TRK	405-4047-L
	47-55	Chevy GMC	Front Floor & Toe Repair Panel - RH	TRK	405-4047-R
7	48-55	Chevy GMC	Transmission Cover Plate - 3-Speed Column Shift	TRK	415-4047-3
	48-55	Chevy GMC	Transmission Cover Plate - 4-Speed Floor Shift	TRK	415-4047-4
8	47-55	Chevy GMC	Front Cab Floor Support - LH	TRK	425-4047-L
	47-55	Chevy GMC	Front Cab Floor Support - RH	TRK	425-4047-R
9	47-55	Chevy GMC	Rear Cab Floor Support - LH	TRK	425-4047-1L
	47-55	Chevy GMC	Rear Cab Floor Support - RH	TRK	425-4047-1R



VISIT US ONLINE FOR THE MOST UP-TO-DATE PRICING AND SELECTION



WARNING: Cancer and Reproductive Harm - www.P65Warnings.ca.gov



## FRONT DOORS



1



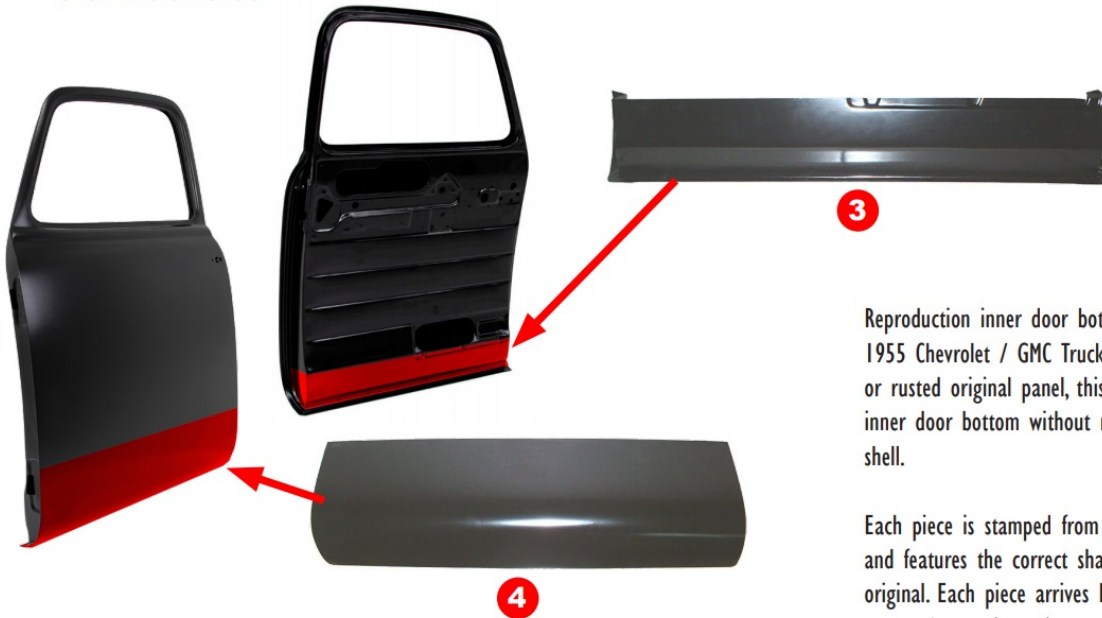
2

Stamped from OE gauge automotive grade steel, these replacement door shells feature the correct shape, size, bends, holes, curves, and braces as original. Each door arrives EDP coated to help protect against rust and corrosion prior to installation.



VISIT US ONLINE FOR THE MOST UP-TO-DATE PRICING AND SELECTION

#	YEAR	MAKE	DESCRIPTION	MODEL	PART #
1	47-50	Chevy GMC	Door Shell - LH	TRK	X500-4047-L
	47-50	Chevy GMC	Door Shell - RH	TRK	X500-4047-R
2	52-55	Chevy GMC	Door Shell - LH	TRK	X500-4052-L
	52-55	Chevy GMC	Door Shell - RH	TRK	X500-4052-R



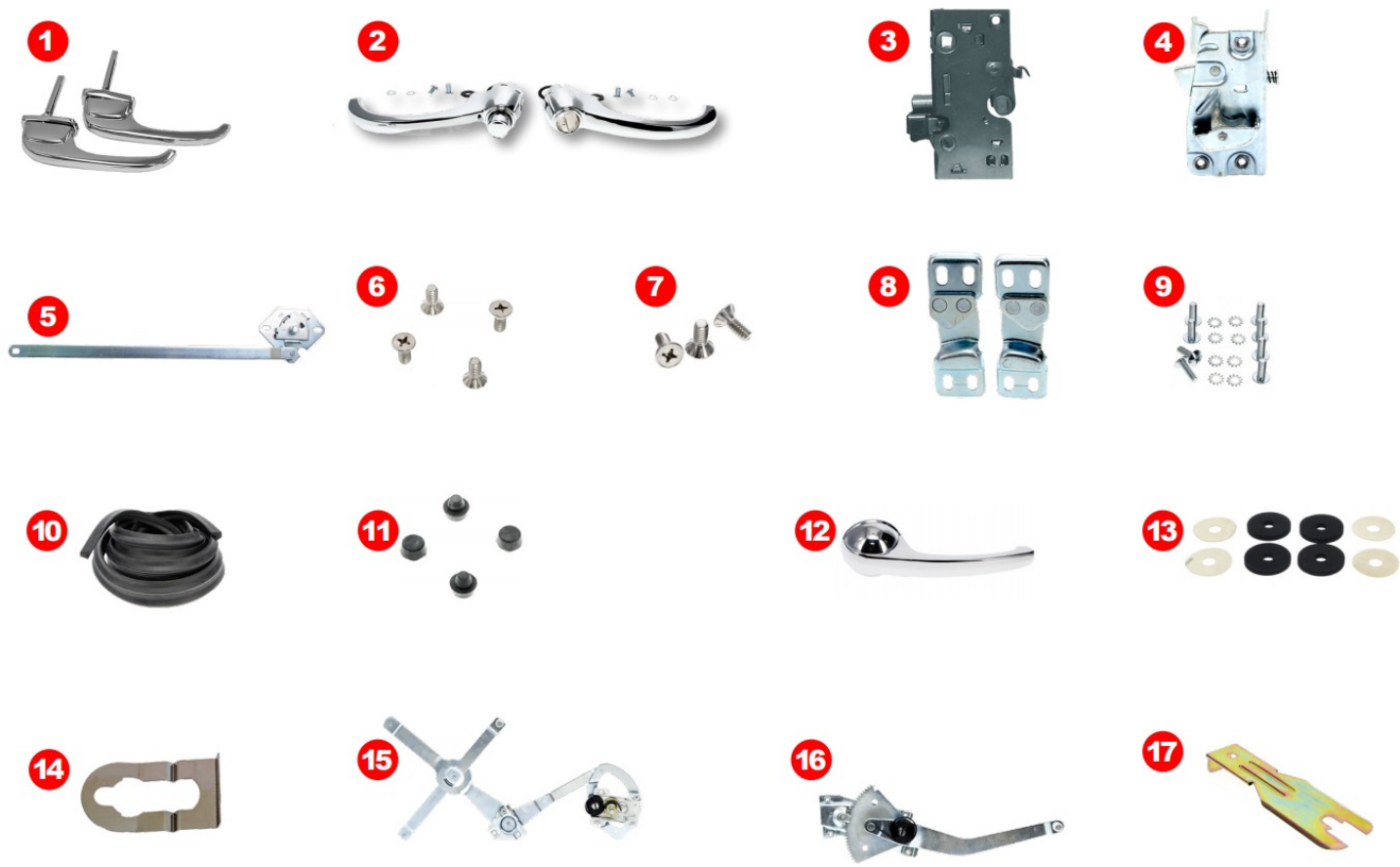
3

Reproduction inner door bottom repair panel for the 1947-1955 Chevrolet / GMC Trucks. Ideal for replacing a damaged or rusted original panel, this piece allows for repair of the inner door bottom without need to replace the entire door shell.

Each piece is stamped from high quality heavy gauge steel and features the correct shape, size, bends, and curves as original. Each piece arrives EDP coated to protect against rust and corrosion prior to installation.

#	YEAR	MAKE	DESCRIPTION	MODEL	PART #
3	47-55	Chevy GMC	Inner Door Bottom Repair Panel - LH	TRK	515-4047-L
	47-55	Chevy GMC	Inner Door Bottom Repair Panel - RH	TRK	515-4047-R
4	47-55	Chevy GMC	Outer Front Door Skin Repair Panel - 10 1/2" High - LH	TRK	516-4047-L
	47-55	Chevy GMC	Outer Front Door Skin Repair Panel - 10 1/2" High - RH	TRK	516-4047-R

## DOOR COMPONENTS



VISIT US ONLINE FOR THE MOST UP-TO-DATE PRICING AND SELECTION

#	YEAR	MAKE	DESCRIPTION	MODEL	PART #
1	47-51	Chevy GMC	Outside Door Handle Set - Chrome - Pair	TRK, SUV	X530-4047-P
2	52-55	Chevy GMC	Outside Door Handle Set - Chrome - Pair	TRK, SUV	X530-4052-P
3	47-51	Chevy GMC	Door Latch Assembly - LH	TRK	X535-4047-L
	47-51	Chevy GMC	Door Latch Assembly - RH	TRK	X535-4047-R
4	52-55	Chevy GMC	Door Latch Assembly - LH	TRK	X535-4052-L
	52-55	Chevy GMC	Door Latch Assembly - RH	TRK	X535-4052-R
5	47-55	Chevy GMC	Door Latch Relay - LH	TRK	X540-4047-L
	47-55	Chevy GMC	Door Latch Relay - RH	TRK	X540-4047-R
6	47-51	Chevy GMC	Door Latch Screw Kit - 4pcs - LH or RH	TRK, SUV	X535-4047-S
7	52-55	Chevy GMC	Door Latch Screw Kit - 3pcs - LH or RH	TRK, SUV	X535-4052-S
8	47-51	Chevy GMC	Door Strikers - Pair	TRK	X752-4047-P
9	52-55	Chevy GMC	Door Striker Screw Set - 16pcs	TRK, SUV	X752-4052-S
10	47-55	Chevy GMC	Door Seal on Door - LH or RH	TRK	X580-4047
11	47-55	Chevy GMC	Door Rubber Bumper Kit - 4pcs	TRK, SUV	X501-4047-S
12	47-55	Chevy GMC	Interior Door Handle - LH or RH	TRK	X540-4047
13	47-55	Chevy GMC	Interior Door Handle Washer and Felt Seal Set - 8pcs	TRK	X546-4047-S
14	47-51	Chevy GMC	Door Lock Cylinder Retaining Clip	TRK	537-4047
15	47-50	Chevy GMC	Window Regulator - LH	TRK	X545-4047-L
	47-50	Chevy GMC	Window Regulator - RH	TRK	X545-4047-R
16	51-55	Chevy GMC	Window Regulator - LH	TRK	X545-4051-L
	51-55	Chevy GMC	Window Regulator - RH	TRK	X545-4051-R
17			Window & Door Handle Removal Tool - Universal		W-312



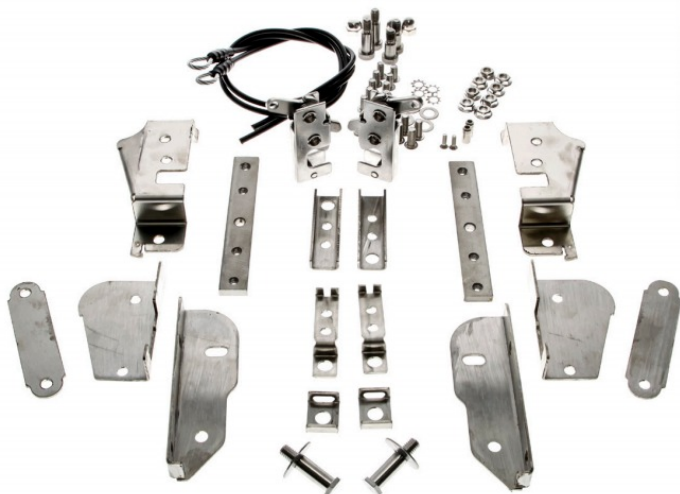
**STEPSIDE BED**



VISIT US ONLINE FOR THE MOST UP-TO-DATE PRICING AND SELECTION

#	YEAR	MAKE	DESCRIPTION	MODEL	PART #
1	47-53	Chevy GMC	Bedside - OE Style - LH	Stepside Shortbed	721-4047-L
	47-53	Chevy GMC	Bedside - OE Style - RH	Stepside Shortbed	721-4047-R
2	47-55	Chevy GMC	Rear Fender - OE Style - LH	Stepside	780-4047-L
	47-55	Chevy GMC	Rear Fender - OE Style - RH	Stepside	780-4047-R
3	47-53	Chevy GMC	Running Board Splash Apron - w/ Support Brace - LH	Stepside Shortbed	722-4047-L
	47-53	Chevy GMC	Running Board Splash Apron - w/ Support Brace - RH	Stepside Shortbed	722-4047-R
4	54-55	Chevy GMC	Running Board Splash Apron - w/ Support Brace - LH	Stepside Shortbed	722-4054-L
	54-55	Chevy GMC	Running Board Splash Apron - w/ Support Brace - RH	Stepside Shortbed	722-4054-R
5	47-50	Chevy GMC	Bed Cross Sill - Front	Stepside	716-4047-1
6	51-53	Chevy GMC	Bed Cross Sill - Front	Stepside	716-4051-1
	54-55	Chevy GMC	Bed Cross Sill - Front	Stepside	716-4054-3
7	47-50	Chevy GMC	Bed Cross Sill - Center - 1/2-Ton or 3/4-Ton	Stepside	716-4047-2
	51-53	Chevy GMC	Bed Cross Sill - Center - 1/2-Ton (use 2) or 3/4-Ton (use 3)	Stepside	716-4051-2
8	54-55	Chevy GMC	Bed Cross Sill - Center - 1/2-Ton (use 3) or 3/4-Ton (use 4)	Stepside	716-4054-3
	54-55	Chevy GMC	Bed Cross Sill - Center - Custom No Holes	Stepside	716-4054-2
9	47-50	Chevy GMC	Bed Cross Sill - Rear - 1/2-Ton	Stepside	716-4047-3
	47-50	Chevy GMC	Bed Cross Sill - Rear - 3/4-Ton	Stepside	716-4047-38
10	51-53	Chevy GMC	Bed Cross Sill - Rear - 1/2-Ton	Stepside	716-4051-3
	51-53	Chevy GMC	Bed Cross Sill - Rear - 3/4-Ton	Stepside	716-4051-37
11	54-55	Chevy GMC	Bed Cross Sill - Rear - 1/2-Ton	Stepside	716-4054-31
	54-55	Chevy GMC	Bed Cross Sill - Rear - 3/4-Ton	Stepside	716-4054-36
1	47-53	Chevy GMC	Tailgate	Stepside	925-4047-1
	47-53	Chevy	Tailgate gmrestoration	Stepside	925-4047-2
2	47-53	GMC	Tailgate gmrestoration	Stepside	925-4947
	47-53	Chevy GMC	Tailgate Hinges - Paintable - Pair	TRK	927-4047-1P
3	47-53	Chevy GMC	Tailgate Chains - Pair	TRK	X927-4041-2P
	47-55	Chevy GMC	Tailgate Chain Covers - Black - Pair	TRK	X927-4041-3P

## HIDDEN TAILGATE LATCH KIT



Replace your old rusty tailgate chains with a custom hidden latch kit. They are available in paintable, stainless hardware or full stainless versions; these hidden latch kits allow your tailgate to go unharmed. No more scratches from rusty chains!



Paintable

Paintable SS Hardware

Full Stainless

1

2

3

#	YEAR	MAKE	DESCRIPTION	MODEL	PART #
1	47-55	Chevy GMC	Paintable	TRK	X927-4000-1S
2	47-55	Chevy GMC	Paintable - w/ Stainless Hardware	TRK	X927-4000-2S
3	47-55	Chevy GMC	Full Stainless Steel	TRK	X927-4000-3S

## TAIL LAMP BRACKET



4



5



6



7



VISIT US ONLINE FOR THE MOST UP-TO-DATE PRICING AND SELECTION



#	YEAR	MAKE	DESCRIPTION	MODEL	PART #
4	47-53	Chevy GMC	Chrome - w/ Tag Bracket - LH	TRK	X950-4047-2CL
5	47-53	Chevy GMC	Chrome - w/o Tag Bracket - RH	TRK	X950-4047-2CR
6	47-53	Chevy GMC	Black - w/ Tag Bracket - LH	TRK	X950-4047-2L
7	47-53	Chevy GMC	Black - w/o Tag Bracket - RH	TRK	X950-4047-2R





VISIT US ONLINE FOR THE MOST UP-TO-DATE PRICING AND SELECTION



## WINDSHIELDS



#	YEAR	MAKE	DESCRIPTION	MODEL	PART #
1	47-53	Chevy GMC	Windshield - Clear - LH or RH	TRK, SUV	380-4047-C
	54-55	Chevy GMC	Windshield - Clear	TRK, SUV	380-4054-C
2	47-53	Chevy GMC	Windshield - w/ Tint Band - Green Tint - LH or RH	TRK, SUV	380-4047-T
	54-55	Chevy GMC	Windshield - w/ Tint Band - Green Tint	TRK, SUV	380-4054-T
3	47-53	Chevy GMC	Windshield - w/o Tint Band - Green Tint - LH or RH	TRK, SUV	380-4047-TN
	54-55	Chevy GMC	Windshield - w/o Tint Band - Green Tint	TRK, SUV	380-4054-TN
4	47-53	Chevy GMC	Windshield - Gasket - w/o Trim Groove	TRK, SUV	G-WBL4235SGM
5	54-55	Chevy GMC	Windshield - Gasket - w/o Trim Groove	TRK, SUV	G-WBL362GM
6	47-53	Chevy GMC	Windshield - Gasket - w/ Trim Groove	TRK, SUV	G-WCR4235SGM
7	54-55	Chevy GMC	Windshield - Gasket - w/ Trim Groove	TRK, SUV	G-WCR362GM
8	47-53	Chevy GMC	Center Molding Reinforcement Bracket - w/ Hardware	TRK, SUV	385-4047-1
9	47-53	Chevy GMC	Center Vertical Molding - Stainless Steel	TRK, SUV	X385-4047-2
10	47-53	Chevy GMC	Wiper Arm - Stainless - Snap In Type - LH	TRK, SUV	X382-4047-2L
	47-53	Chevy GMC	Wiper Arm - Stainless - Snap In Type - RH	TRK, SUV	X382-4047-2R
11	54-55	Chevy GMC	Wiper Arm - Stainless - Snap In Type - LH	TRK, SUV	X382-4054-2L
	54-55	Chevy GMC	Wiper Arm - Stainless - Snap In Type - RH	TRK, SUV	X382-4054-2R
12	54-55	Chevy GMC	Wiper Blade - 11" - LH or RH	TRK, SUV	X382-4054-1
13	47-53	Chevy GMC	Wiper Arm Bezel Set - Chrome - Pair	TRK, SUV	382-4047
14	47-55	Chevy GMC	Wiper Hold Down Nut Set - Chrome - Pair	TRK, SUV	X382-4047-1P

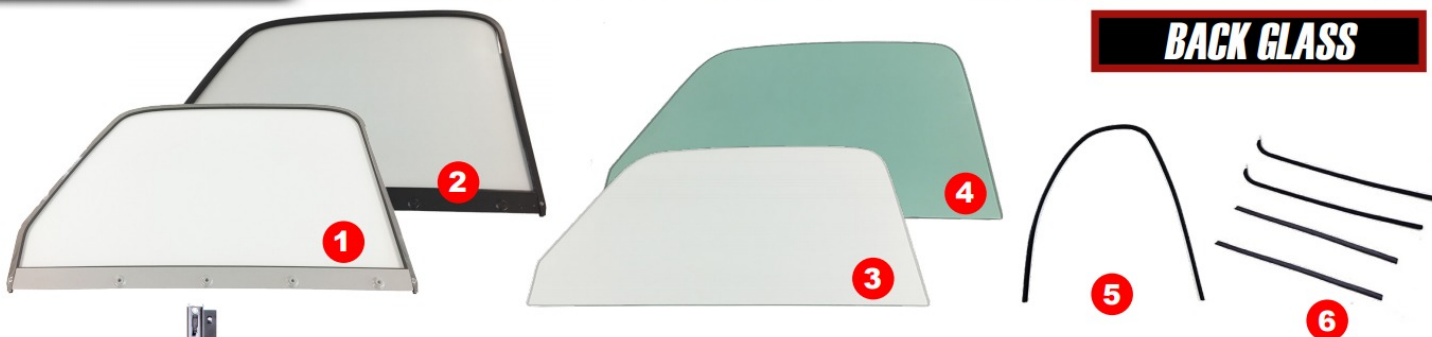
## BACK GLASS



#	YEAR	MAKE	DESCRIPTION	MODEL	PART #
1	47-55	Chevy GMC	Clear - Center	TRK	660-4047-C
2	47-55	Chevy GMC	Clear - Corner - LH	TRK	660-4047-CL
	47-55	Chevy GMC	Clear - Corner - RH	TRK	660-4047-CR
3	47-55	Chevy GMC	Green Tint - Center	TRK	660-4047-T
4	47-55	Chevy GMC	Green Tint - Corner - LH	TRK	660-4047-TL
	47-55	Chevy GMC	Green Tint - Corner - RH	TRK	660-4047-TR
5	47-55	Chevy GMC	Center Gasket - w/ Chrome Lockstrip - w/ Small Glass	TRK	G-WKT4266SC
6	47-55	Chevy GMC	Center Gasket - w/ Black Lockstrip - w/ Small Glass	TRK	G-WKT4266SGM
7	47-55	Chevy GMC	Gasket Set - w/ Chrome Lockstrip - 6pcs - w/ Small Glass	TRK	G-WKT4755DLXCH
8	47-55	Chevy GMC	Gasket Set - w/ Black Lockstrip - 6pcs - w/ Small Glass	TRK	G-WKT4755DLX



## BACK GLASS



#	YEAR	MAKE	DESCRIPTION	MODEL	PART #
1	47-50	Chevy GMC	Assembly - w/ Chrome Frame - Clear - LH	TRK	X550-4047-1L
	47-50	Chevy GMC	Assembly - w/ Chrome Frame - Clear - RH	TRK	X550-4047-1R
2	47-50	Chevy GMC	Assembly - w/ Black Frame - Clear - LH	TRK	X550-4047-2L
	47-50	Chevy GMC	Assembly - w/ Black Frame - Clear - RH	TRK	X550-4047-2R
3	47-50	Chevy GMC	Clear - LH or RH	TRK	550-4047-C
	47-50	Chevy GMC	Green Tint - LH or RH	TRK	550-4047-T
4	51-55	Chevy GMC	Clear - LH or RH	TRK	550-4051-C
	51-55	Chevy GMC	Green Tint - LH or RH	TRK	550-4051-T
5	51-55	Chevy GMC	Glass Run Window Channel Seal - LH or RH	TRK	U-G1028
6	51-55	Chevy GMC	Beltline Window Felts - 4pcs Inner & Outer	TRK	U-KG2117
7	51-55	Chevy GMC	Lower Rear Guide - LH	TRK	552-4051-2L
	51-55	Chevy GMC	Lower Rear Guide - RH	TRK	552-4051-2R

## VENT GLASS



#	YEAR	MAKE	DESCRIPTION	MODEL	PART #
8	51-55	Chevy GMC	Clear - LH or RH	TRK	560-4051-C
9	51-55	Chevy GMC	Green Tint - LH or RH	TRK	560-4051-T
10	51-55	Chevy GMC	Division Bar Felt Insert - Pair	TRK	547-4051-S



VISIT US ONLINE FOR THE MOST UP-TO-DATE PRICING AND SELECTION



## WEATHERSTRIP KITS

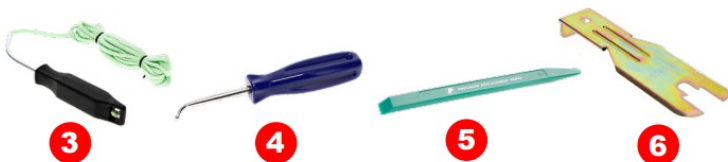


Kits includes:

- Glue on door weatherstrip
- Upper and lower cab windlace
- Upper channels
- Division post glass run
- Vent window seal
- Windshield seal
- Beltline kit
- Rear window seal

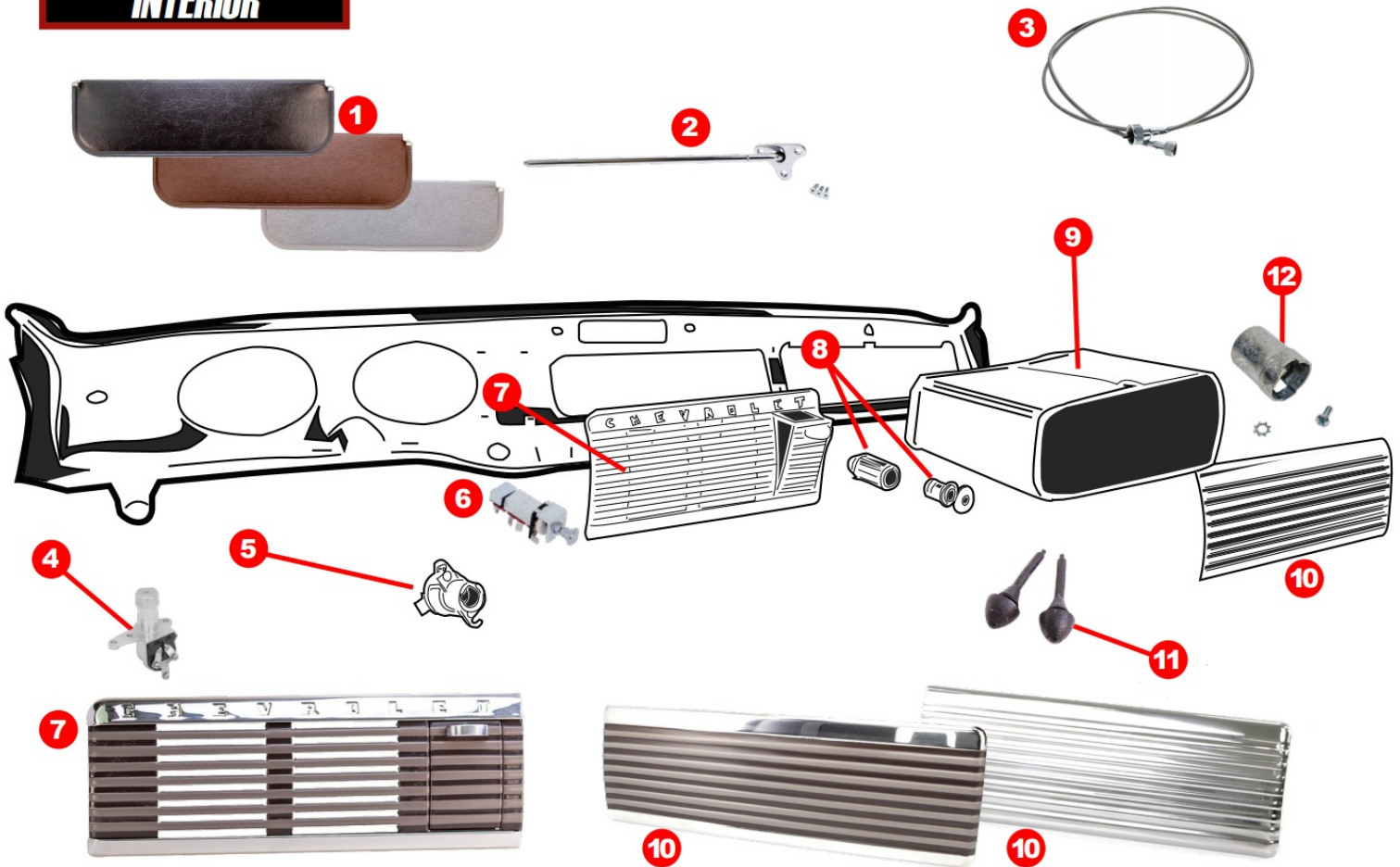
These kits work on both the 3 and 5 window cabs

#	YEAR	MAKE	DESCRIPTION	MODEL	PART #
1	51-53	Chevy GMC	Full - w/o Reveal Trim Groove	TRK	G-CWK111251
2	54-55	Chevy GMC	Full - w/o Reveal Trim Groove - 14pcs	TRK	G-CWK111254



#	DESCRIPTION	PART #
3	Glass Seal Rope-In Tool	TOOL-1
4	Ball End Hook Tool	TOOL-2
5	Weatherstrip Stick	TOOL-3
6	Window & Door Handle Removal Tool	W-312

## INTERIOR



VISIT US ONLINE FOR THE MOST UP-TO-DATE PRICING AND SELECTION

#	YEAR	MAKE	DESCRIPTION	MODEL	PART #
1	47-55	Chevy GMC	Sun Visor - w/o Bracket - Black	TRK, SUV	646-4047-BLK
	47-55	Chevy GMC	Sun Visor - w/o Bracket - Brown	TRK, SUV	646-4047-BRN
	47-55	Chevy GMC	Sun Visor - w/o Bracket - Gray	TRK, SUV	646-4047-GRY
2	47-53	Chevy GMC	Sun Visor Bracket - Chrome	TRK, SUV	386-4047-IL
	47-53	Chevy GMC	Sun Visor Bracket - Chrome	TRK, SUV	386-4047-IR
3	47-55	Chevy GMC	Speedometer Cable - 69" Long	TRK, SUV	X473-4047-69
4	47-55	Chevy GMC	Headlamp Dimmer Switch - 6 Volt	TRK	K-1796260
5	47-53	Chevy GMC	Ignition Switch - Does not include lock cylinder or key	TRK, SUV	462-4047-1
	47-55	Chevy GMC	Headlamp Switch - 6 Volt	TRK	K-1995041
	47-55	Chevy GMC	Headlamp Switch - 12 Volt	TRK, SUV	K-1995082
7	47-53	Chevy	Center Dash - Painted / Stainless Steel w/ Ashtray	TRK, SUV	466-4047-1S
8	47-53	Chevy GMC	Lighter Assembly	TRK, SUV	453-4047
9	47-49	Chevy GMC	Glove Box Liner	TRK, SUV	X461-4047-1
	50-53	Chevy GMC	Glove Box Liner	TRK, SUV	X461-4050-1
	54-55	Chevy	Glove Box Liner	TRK, SUV	X461-4054-1
	54-55	GMC	Glove Box Liner	TRK, SUV	X461-4954-1
10	47-53	Chevy GMC	Glove Box Door - Painted / Stainless Steel	TRK, SUV	461-4047
	47-53	Chevy GMC	Glove Box Door - Polished Stainless Steel	TRK, SUV	461-4067-1
11	47-55	Chevy GMC	Glove Box Door Bumpers - Pair	TRK, SUV	J-1069
12	47-53	Chevy GMC	Glove Box Lock Retainer	TRK, SUV	461-4047-2

## GAS TANKS

The OE Replacement Fuel Tank is crafted from rust resistant steel that is lead/tin plated inside and out. The strong, electrically welded seams are reinforced and each tank is pressure tested for leaks.

- Exact fit for easy installation
- Factory leak tested
- Meets or exceeds manufacturer's specifications
- Corrosion resistant
- Precision engineered and tooled under OE specifications
- Manufactured under ISO 9001 / TS 16949 quality system



#	YEAR	MAKE	DESCRIPTION	MODEL	PART #
1	49-55	Chevy GMC	In Cab, 18 Gallon	TRK	890-4047-N



VISIT US ONLINE FOR THE MOST UP-TO-DATE PRICING AND SELECTION



#	YEAR	MAKE	DESCRIPTION	MODEL	PART #
1	47-55	Chevy GMC	Gas Cap - Stainless Steel	TRK, SUV	X888-4038-I



## INDEX

Description	Page	Description	Page	Description	Page
A-Pillar Assembly	23	Door Hinge Pin Kit	28	Headlamp Mounting Ring	21
Back Glass	30	Door Hinge Pillar Panel, Lower Front	23	Hood	21
Back Glass Gasket	30	Door Hinge Pillar Pocket, Lower Front	23	Hood Hinge	21
Battery Hold Down	25	Door Hinge Bolt Set	28	Hood Hinge Spring Set	21
Battery Tray Assembly	25	Door Hinge Pin Kit	28	Hood Latch Panel	21
Bed Cross Sill	29	Door Hinge Pillar Panel, Lower Front	23	Hood to Fender Bumper Kit	21
Bed Panel, Front	29	Door Hinge Pillar Pocket, Lower Front	23	License Plate Bracket w/Lamp, Rear	19
Bed Step	29	Door Hinge Repair Panel, Lower Front	23	Lighter Assembly	26
Bed Wheelhouse	29	Door Pillar Repair Panel, Lower Rear	23	Mirror Arm Screw Set	27
Bedside	29	Door Latch Assembly	28	Mirror Arm to Door Gasket	27
Bumper Bolt Set	19	Door Latch Relay	28	Park Lamp Assembly	19
Bumper Bracket Set, Front	19	Door Latch Striker Plates	28	Park Lamp Lens	19
Bumper Bracket Set, Rear	19	Door Shell, Front	27	Park Lamp Lens Gaskets	19
Bumper Filler, Front	19	Door Skin Repair Panel, Front	27	Parking Brake Lever Assembly	26
Bumper Guards, Front	19	Door Striker Screw Set	28	Radiator Support Mount Cushion Set	21
Bumper, Front	19	Door Strikers	26	Rocker Panel & Step Plate	24
Bumper, Rear	19	Door Trim Panel	28	Rocker Step Support Brace	24
Cab Corner	25	Fender Bolt Kit, Rear	29	Roof Skin	24
Cab Floor Assembly	24	Fender Extension, Front	20	Speaker Grille	26
Cab Floor Pan	24	Fender Lower Rear Fastening Panel	20	Sun Visor	26
Cab Mount, Front	25	Fender Lower Rear Repair Panel, Front	20	Tailgate	29
Cowl Panel, Inner	22	Fender Rear Vertical Inner Brace, Front	20	Tailgate Chains	29
Cab Panel, Rear Outer	24	Fender, Front	20	Tailgate Chain Covers	29
Cowl Panel, Outer	22	Fender, Rear	29	Tailgate Latch Kit	31
Cowl Side Plenum Lower Section	23	Firewall	22	Taillight Lens	19
Cowl Vent Grille	22	Floor & Toe Repair Panel	25	Transmission Cover	22
Dash Molding	22	Footwell Kick Panel	23	Vent Glass	30
Dome Lamp Assembly	26	Gas Cap	31	Vent Window Handle Set	30
Dome Lamp Lens	26	Gas Tank	31	Weatherstrip Gasket	30
Door Bumper Kit	28	Gas Tank Sending Unit	31	Weatherstrip Kit	26
Door Bottom Repair Panel, Inner	27	Gas Tank Strap Set	31	Window Channel Seal Kit	27
Door Glass	30	Glove Box Door Bumpers	26	Window Crank Handle	27
Door Glass Assembly	30	Glove Box Liner	26	Window Gasket, Rear	29
Door Handle, Interior	27	Grille	21	Window Regulator	30
Door Handle Set	27	Headlamp Adjuster Nut	21	Windshield	30
Door Hinge Bolt Set	28	Headlamp Bezels	21	Wiper Arm	30
		Headlamp Bucket Assembly	21	Wiper Blade	30



VISIT US ONLINE FOR THE MOST UP-TO-DATE PRICING AND SELECTION



## FRONT BUMPERS



#	YEAR	MAKE	DESCRIPTION	MODEL	PART #
1	55-59	Chevy GMC	Bumper - Chrome	TRK, SUV	100-4055-1
2	55-59	Chevy GMC	Bumper Bolt Set - Chrome	TRK	K-K219
3	55-57	Chevy GMC	Bumper Bracket Set	TRK, SUV	105-4055-S
4	58-59	Chevy GMC	Bumper Bracket Set	TRK, SUV	105-4058-S
5	55-56	Chevy	Bumper Filler	TRK, SUV	K-14097
6	58-59	Chevy GMC	Bumper Filler	TRK, SUV	K-T70649



1

2



3



4

#	YEAR	MAKE	DESCRIPTION	MODEL	PART #
1	55-57	Chevy	Park Lamp Assembly - Clear - LH or RH	TRK	X135-4055
	58-59	GMC	Park Lamp Assembly - Clear - LH or RH	TRK, SUV	X135-4055
2	55-57	Chevy	Park Lamp Assembly - Amber - LH or RH	TRK, SUV	X135-4055-1
3	55-57	Chevy	Park Lamp Lens - Clear - LH or RH	TRK	X135-4055-2
	58-59	GMC	Park Lamp Lens - Clear - LH or RH	TRK, SUV	X135-4055-2
4	55-57	Chevy	Park Lamp Lens - Amber - LH or RH	TRK, SUV	X135-4055-3
5	58-59	Chevy	Park Lamp Lens - Clear - LH or RH	TRK, SUV	X135-4058
6	58-59	Chevy	Park Lamp Lens Gaskets - Pair	TRK, SUV	X134-4058-P
7	58-59	GMC	Park Lamp Lens Gaskets - Pair	TRK, SUV	X134-4958-P

## REAR BUMPERS



5



6



4

#	YEAR	MAKE	DESCRIPTION	MODEL	PART #
1	55-59	Chevy GMC	Chrome	Stepside	990-4055-1
2	58-59	Chevy GMC	Chrome	Fleetside	990-4058
3	55-59	Chevy GMC	Chrome	SUV	100-4055-1
4	55-59	Chevy GMC	Bumper Bracket Set	Stepside	970-4055-S
5	55-59	Chevy GMC	License Plate Bracket - w/Lamp	Stepside	X945-4054
6	55-59	Chevy GMC	Taillight Lens - LH or RH	Stepside	X951-4055-1



WARNING: Cancer and Reproductive Harm - www.P65Warnings.ca.gov



## FRONT FENDERS



Scan to learn more about these fender repair panels.



1



2



3

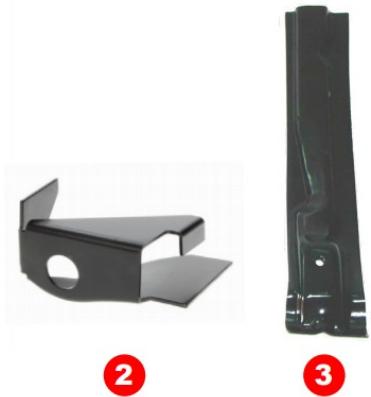
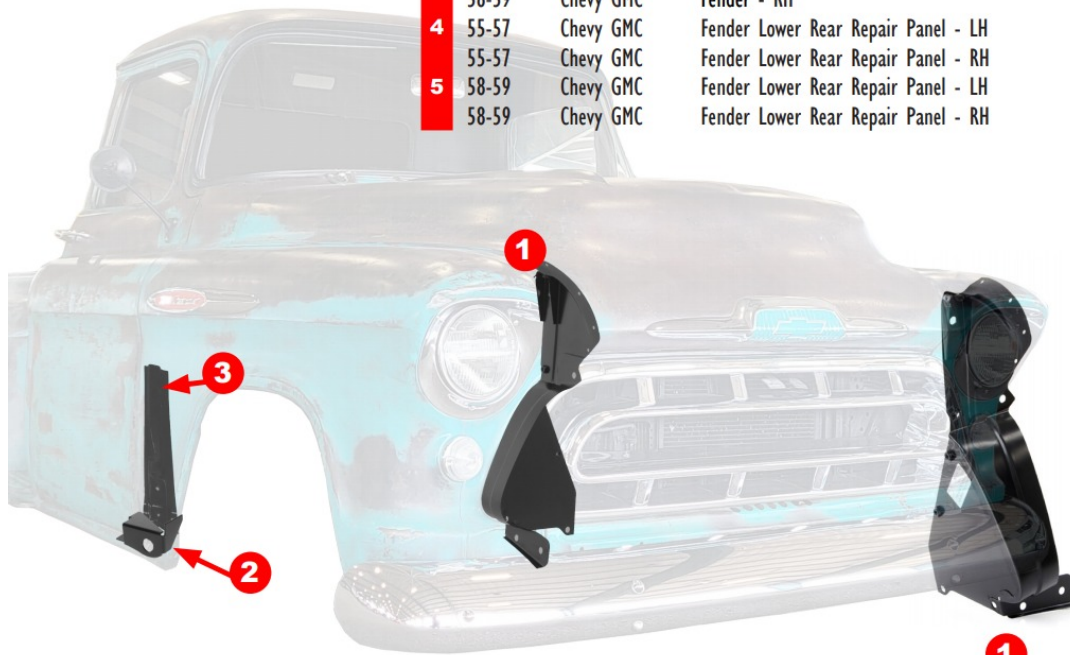


4



5

#	YEAR	MAKE	DESCRIPTION	MODEL	PART #
1	55-56	Chevy GMC	Fender - LH	TRK, SUV	X200-4055-L
	55-56	Chevy GMC	Fender - RH	TRK, SUV	X200-4055-R
2	57	Chevy GMC	Fender - LH	TRK, SUV	X200-4057-L
	57	Chevy GMC	Fender - RH	TRK, SUV	X200-4057-R
3	58-59	Chevy GMC	Fender - LH	TRK, SUV	X200-4058-L
	58-59	Chevy GMC	Fender - RH	TRK, SUV	X200-4058-R
4	55-57	Chevy GMC	Fender Lower Rear Repair Panel - LH	TRK, SUV	205-4055-L
	55-57	Chevy GMC	Fender Lower Rear Repair Panel - RH	TRK, SUV	205-4055-R
5	58-59	Chevy GMC	Fender Lower Rear Repair Panel - LH	TRK, SUV	205-4058-L
	58-59	Chevy GMC	Fender Lower Rear Repair Panel - RH	TRK, SUV </td <td>205-4058-R</td>	205-4058-R



VISIT US ONLINE FOR THE MOST UP-TO-DATE PRICING AND SELECTION

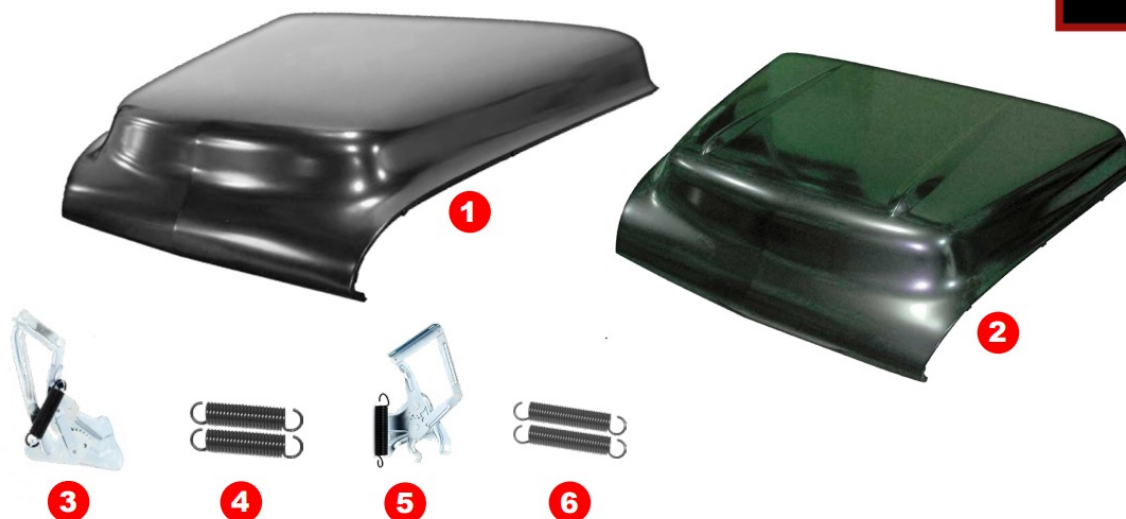
#	YEAR	MAKE	DESCRIPTION	MODEL	PART #
1	55-59	Chevy GMC	Fender Extension - LH	TRK, SUV	X210-4055-L
	55-59	Chevy GMC	Fender Extension - RH	TRK, SUV	X210-4055-R
2	55-59	Chevy GMC	Fender Lower Rear Fastening Panel - LH	TRK, SUV	220-4055-1L
	55-59	Chevy GMC	Fender Lower Rear Fastening Panel - RH	TRK, SUV	220-4055-1R
3	58-59	Chevy GMC	Fender Rear Vertical Inner Brace - LH	TRK, SUV	220-4058-L
	58-59	Chevy GMC	Fender Rear Vertical Inner Brace - RH	TRK	220-4058-R

## GRILLES



#	YEAR	MAKE	DESCRIPTION	MODEL	PART #
1	55-56	Chevy	Chrome	TRK, SUV	K-CX1243
2	57	Chevy	Chrome	TRK, SUV	K-CX1556
3	58-59	Chevy	Chrome w/ "CHEVROLET" gm restoration	TRK, SUV	K-CX1557
4	55-57	Chevy GMC	Headlamp Bucket Assembly - LH or RH	TRK, SUV	X141-4055-S
5	55-57	Chevy	Headlamp Bucket - LH or RH	TRK, SUV	W-698
6	55-57	Chevy GMC	Headlamp Adjuster Nut	TRK, SUV	X142-4047-2
7	58-59	Chevy GMC	Headlamp Bezels - Chrome Steel - Pair	TRK, SUV	X145-4058-P

## HOODS



VISIT US ONLINE FOR THE MOST UP-TO-DATE PRICING AND SELECTION



#	YEAR	MAKE	DESCRIPTION	MODEL	PART #
1	55-56	Chevy	Hood - OE Style	TRK, SUV	X300-4055
2	57	Chevy	Hood - OE Style	TRK, SUV	X300-4057
3	55-57	Chevy GMC	Hood Hinge - w/ Spring - LH	TRK, SUV	310-4055-L
4	55-57	Chevy GMC	Hood Hinge - w/ Spring - RH	TRK, SUV	310-4055-R
5	55-57	Chevy GMC	Hood Hinge Spring Set - Pair	TRK, SUV	311-4055-P
6	58-59	Chevy GMC	Hood Hinge - w/ Spring - LH	TRK, SUV	310-4058-L
7	58-59	Chevy GMC	Hood Hinge - w/ Spring - RH	TRK, SUV	310-4058-R
8	58-59	Chevy GMC	Hood Hinge Spring Set - Pair	TRK, SUV	311-4058-P
9	55-57	Chevy	Hood Latch Panel	TRK, SUV	304-4055
8	55-57	Chevy GMC	Hood to Fender Bumper Kit - 10pcs	TRK, SUV	X305-4055-S
9	55-59	Chevy GMC	Radiator Support Mount Cushion Set - 4pcs	TRK, SUV	X347-4055-IS



WARNING: Cancer and Reproductive Harm - www.P65Warnings.ca.gov



## COWLS



VISIT US ONLINE FOR THE MOST UP-TO-DATE PRICING AND SELECTION



#	YEAR	MAKE	DESCRIPTION	MODEL	PART #
1	55-59	Chevy GMC	Outer Cowl Panel	TRK, SUV	X360-4055-1
2	55-59	Chevy GMC	Inner Cowl Panel	TRK, SUV	X360-4055-2
3	55-59	Chevy GMC	Cowl Vent Grille	TRK, SUV	X360-4055-3
4	55-59	Chevy GMC	Dash Molding - w/ Clips - Front Dash Panel Edge at Windshield	TRK, SUV	X460-4055-1
5	55-59	Chevy GMC	Outer Cowl Side Panel - LH	TRK, SUV	X360-4055-1L
	55-59	Chevy GMC	Outer Cowl Side Panel - RH	TRK, SUV	X360-4055-1R

## FIREWALL & TRANSMISSION COVER



See Firewall Full Installation

#	YEAR	MAKE	DESCRIPTION	MODEL	PART #
1	55-59	Chevy GMC	Firewall	TRK	X370-4055
2	55-59	Chevy GMC	Transmission Cover - 4 Speed	TRK	X415-4055-4





VISIT US ONLINE FOR THE MOST UP-TO-DATE PRICING AND SELECTION



## COWL/JAMB PANELS



See Cowl Repair Installation



#	YEAR	MAKE	DESCRIPTION	MODEL	PART #
1	55-59	Chevy GMC	A-Pillar Assembly - w/ Cowl Side and Hinge Pillar - LH	TRK	X378-4055-1L
	55-59	Chevy GMC	A-Pillar Assembly - w/ Cowl Side and Hinge Pillar - RH	TRK	X378-4055-1R
2	55-59	Chevy GMC	Footwell Kick Panel - LH	TRK	378-4055-L
	55-59	Chevy GMC	Footwell Kick Panel - RH	TRK	378-4055-R
3	55-59	Chevy GMC	Cowl Side Plenum Lower Section - LH	TRK	371-4055-L
	55-59	Chevy GMC	Cowl Side Plenum Lower Section - RH	TRK	371-4055-R
4	55-59	Chevy GMC	Lower Cowl Plenum Side Panel - LH	TRK	376-4055-1L
	55-59	Chevy GMC	Lower Cowl Plenum Side Panel - RH	TRK	376-4055-1R
5	55-59	Chevy GMC	Lower Front Door Hinge Pillar Panel - LH	TRK	376-4055-2L
	55-59	Chevy GMC	Lower Front Door Hinge Pillar Panel - RH	TRK	376-4055-2R
6	55-59	Chevy GMC	Lower Front Door Hinge Pillar Pocket - Inner - LH	TRK	376-4055-3L
	55-59	Chevy GMC	Lower Front Door Hinge Pillar Pocket - Inner - RH	TRK	376-4055-3R
7	55-59	Chevy GMC	Lower Front Door Hinge Repair Panel - LH	TRK	376-4055-4L
	55-59	Chevy GMC	Lower Front Door Hinge Repair Panel - RH	TRK	376-4055-4R
8	55-59	Chevy GMC	Lower Rear Door Pillar Repair Panel - LH	TRK	751-4055-1L
	55-59	Chevy GMC	Lower Rear Door Pillar Repair Panel - RH	TRK	751-4055-1R



WARNING: Cancer and Reproductive Harm - www.P65Warnings.ca.gov



## CAB PANELS



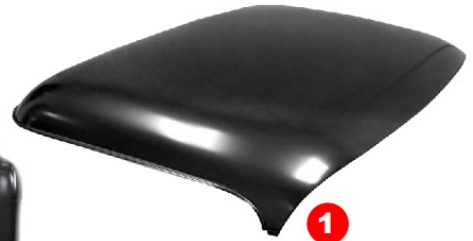
VISIT US ONLINE FOR THE MOST UP-TO-DATE PRICING AND SELECTION



2



3



1



See Back Cab Full Installation

#	YEAR	MAKE	DESCRIPTION	MODEL	PART #
1	55-59	Chevy GMC	Roof Skin	TRK	X600-4055
2	55-59	Chevy GMC	Rear Outer Cab Panel - w/ Small Rear Window	TRK	X665-4055-1
3	55-59	Chevy GMC	Rear Outer Cab Panel - w/ Large Rear Window	TRK	X665-4055-2



1



2



See Floor Panel Full Installation

5



4



3

#	YEAR	MAKE	DESCRIPTION	MODEL	PART #
1	55-59	Chevy GMC	Cab Floor Assembly - w/ Rockers & Braces	TRK	X400-4055
2	55-59	Chevy GMC	Cab Floor Pan	TRK	X400-4055-1
3	55-59	Chevy GMC	Transmission Cover - 4 Speed	TRK	X415-4055-4
4	55-59	Chevy GMC	Rocker Panel / Step Plate - LH	TRK	450-4055-L
	55-59	Chevy GMC	Rocker Panel / Step Plate - RH	TRK	450-4055-R
5	55-59	Chevy GMC	Rocker Step Support Brace - LH or RH	TRK	436-4055



VISIT US ONLINE FOR THE MOST UP-TO-DATE PRICING AND SELECTION

## CAB CORNERS



#	YEAR	MAKE	DESCRIPTION	MODEL	PART #
1	55-59	Chevy GMC	Outer Cab Corner - LH	TRK	480-4055-L
	55-59	Chevy GMC	Outer Cab Corner - RH	TRK	480-4055-R
2	55-59	Chevy GMC	Inner Cab Corner - LH	TRK	481-4055-L
	55-59	Chevy GMC	Inner Cab Corner - RH	TRK	481-4055-R



#	YEAR	MAKE	DESCRIPTION	MODEL	PART #
3	55-59	Chevy GMC	Front Floor & Toe Repair Panel - LH	TRK	405-4055-L
	55-59	Chevy GMC	Front Floor & Toe Repair Panel - RH	TRK	405-4055-R



#	YEAR	MAKE	DESCRIPTION	MODEL	PART #
4	55-59	Chevy GMC	Front Cab Mount - LH	TRK	425-4055-L
	55-59	Chevy GMC	Front Cab Mount - RH	TRK	425-4055-R

## BATTERY TRAY



#	YEAR	MAKE	DESCRIPTION	MODEL	PART #
1	55-57	Chevy GMC	Battery Tray Assembly	TRK	X340-4055
2	55-57	Chevy GMC	Battery Hold Down - Black	TRK	X341-4055
3	55-57	Chevy GMC	Battery Hold Down - Stainless	TRK	X341-4055-SS
4	58-59	Chevy GMC	Battery Tray Assembly	TRK	X340-4058
5	58-59	Chevy GMC	Battery Hold Down - Black	TRK	X341-4058
6	58-59	Chevy GMC	Battery Hold Down - Stainless	TRK	X341-4058-SS



WARNING: Cancer and Reproductive Harm - www.P65Warnings.ca.gov



## WEATHERSTRIP KITS



VISIT US ONLINE FOR THE MOST UP-TO-DATE PRICING AND SELECTION



Kit Includes:

- Door Weatherstrips with Clips and Mitered Corners
- Uppers Channels
- Division Post, Liner
- Vent Seal Kit, Black Style
- Windshield Seal
- Beltline Kit

#	YEAR	MAKE	DESCRIPTION	MODEL	PART #
1	55-59	Chevy GMC	Weatherstrip Kit - w/o Reveal Trim Groove - 9pcs	TRK	G-CWK111055

## INTERIOR



#	YEAR	MAKE	DESCRIPTION	MODEL	PART #
1	55-59	Chevy	Glove Box Liner	TRK	X461-4055-I
2	55-59	GMC	Glove Box Liner	TRK	X461-4955-I
3	55-59	Chevy GMC	Glove Box Door Bumpers - Pair	TRK	J-1069
4	55-59	Chevy GMC	Lighter Assembly	TRK	453-4055
5	55-59	Chevy GMC	Inside Sun Visor - Black	TRK	646-4047-BLK
6	55-59	Chevy GMC	Inside Sun Visor - Brown	TRK	646-4047-BRN
7	55-59	Chevy GMC	Inside Sun Visor - Gray	TRK	646-4047-GRY
8	55-59	Chevy GMC	Dome Lamp Assembly - Chrome/Cream	TRK	612-4055
9	55-59	Chevy GMC	Dome Lamp Lens - Cream	TRK	612-4055-I
10	55-59	Chevy GMC	Speaker Grille - Chrome	TRK	X463-4055-I
11	55-59	Chevy GMC	Parking Brake Lever Assembly	TRK	476-4055-I



## DOORS



1



2



3

#	YEAR	MAKE	DESCRIPTION	MODEL	PART #
1	55-59	Chevy GMC	Door Shell - LH	TRK	X500-4055-L
	55-59	Chevy GMC	Door Shell - RH	TRK	X500-4055-R
2	55-59	Chevy GMC	Inner Door Bottom Repair Panel - LH	TRK	515-4055-L
	55-59	Chevy GMC	Inner Door Bottom Repair Panel - RH	TRK	515-4055-R
3	55-59	Chevy GMC	Outer Door Skin Repair Panel - 7" High - Lower - LH	TRK	516-4055-L
	55-59	Chevy GMC	Outer Door Skin Repair Panel - 7" High - Lower - RH	TRK	516-4055-R



4



5



6



#	YEAR	MAKE	DESCRIPTION	MODEL	PART #
4	55-59	Chevy GMC	Outside Door Handle Set - Chrome - Pair	TRK, SUV	X530-4052-P
5	55-59	Chevy GMC	Outside Mirror Arm to Door Gasket - LH or RH	TRK, SUV	X570-4055-3
6	55-59	Chevy GMC	Outside Mirror Arm Screw Kit - 3pcs	TRK	X570-4055-4S



VISIT US ONLINE FOR THE MOST UP-TO-DATE PRICING AND SELECTION



7



8



9

#	YEAR	MAKE	DESCRIPTION	MODEL	PART #
7	55-59	Chevy GMC	Interior Door Handle - LH or RH	TRK	X540-4047
8	55-59	Chevy GMC	Window Crank Handle - Black Knob - LH or RH	TRK	X546-4047
9	55-59	Chevy GMC	Front Door Window Channel Seal Kit - 8pcs, Glass Runs, Beltlines, Division Bar Felts	TRK	552-4055-2S



WARNING: Cancer and Reproductive Harm - www.P65Warnings.ca.gov



## DOOR COMPONENTS



VISIT US ONLINE FOR THE MOST UP-TO-DATE PRICING AND SELECTION



1



2



3



4



5



6



7



8



9

#	YEAR	MAKE	DESCRIPTION	MODEL	PART #
1	55-59	Chevy GMC	Door Latch Assembly - LH	TRK	X535-4055-L
2	55-59	Chevy GMC	Door Latch Assembly - RH	TRK	X535-4055-R
3	55-59	Chevy GMC	Door Latch Relay - LH	TRK	X540-4055-L
4	55-59	Chevy GMC	Door Latch Relay - RH	TRK	X540-4055-R
5	55-59	Chevy GMC	Door Latch Striker Plates - Pair	TRK	X752-4052-P
6	55-59	Chevy GMC	Door Striker Screw Set - 16pcs	TRK, SUV	X752-4052-S
7	55-59	Chevy GMC	Door Hinge Bolt Set - 12 pcs	TRK	K-T1430I
8	55-59	Chevy GMC	Door Hinge Pin Kit - 8 pcs	TRK, SUV	521-4067-S
9	55-59	Chevy GMC	Door Bumper Kit - 6pcs	TRK, SUV	X501-4055-S



1



2



#	YEAR	MAKE	DESCRIPTION	MODEL	PART #
1	55-59	Chevy GMC	Door Trim Panel - Inner - Chrome - LH	TRK	542-4055-CL
	55-59	Chevy GMC	Door Trim Panel - Inner - Chrome - RH	TRK	542-4055-CR
2	55-59	Chevy GMC	Door Trim Panel - Inner - Black - LH	TRK	542-4055-L
	55-59	Chevy GMC	Door Trim Panel - Inner - Black - RH	TRK	542-4055-R



VISIT US ONLINE FOR THE MOST UP-TO-DATE PRICING AND SELECTION



## BED PANELS

\*Wheelhouses for Fleetside only



6



6



13



13

#	YEAR	MAKE	DESCRIPTION	MODEL	PART #
<b>STEPSIDE</b>					
1	55-59	Chevy GMC	Bedside - OE Style - LH	Short Bed Stepside	721-4055-L
	55-59	Chevy GMC	Bedside - OE Style - RH	Short Bed Stepside	721-4055-R
2	55-59	Chevy GMC	Rear Fender - LH	Stepside	780-4055-L
	55-59	Chevy GMC	Rear Fender - RH	Stepside	780-4055-R
3	55-59	Chevy GMC	Bed Step - LH	Short Bed Stepside	723-4055-L
	55-59	Chevy GMC	Bed Step - RH	Short Bed Stepside	723-4055-R
4	55-59	Chevy GMC	Rear Fender Bolt Kit	Stepside	X780-4047-1S
5	55-59	Chevy GMC	Front Bed Panel	Stepside	715-4054-1
6	55-59	Chevy	Tailgate - w/ "CHEVROLET" Letters <a href="#">gm restoration</a>	Stepside	925-4054-2
	55-59	GMC	Tailgate - w/ "GMC" Letters <a href="#">gm restoration</a>	Stepside	925-4954
	55-59	Chevy GMC	Tailgate - Plain	Stepside	925-4054-1
7	55-59	Chevy GMC	Bed Cross Sill - Front / Center - 1/2-Ton (use 2) or 3/4-Ton (use 3)	Stepside	716-4054-3A
	55-59	Chevy GMC	Bed Cross Sill - Custom No Holes	Stepside	716-4054-2
8	55-59	Chevy GMC	Bed Cross Sill - Rear - 1/2-Ton or 3/4-Ton	Stepside	716-4055-3
9	55-59	Chevy GMC	Tailgate Chains - Pair	Stepside	Coming Soon
10	55-59	Chevy GMC	Tailgate Chain Covers - Black - Pair	Stepside	X927-4041-3P
<b>FLEETSIDE</b>					
11	58-59	Chevy GMC	Front Bed Panel	Fleetside	715-4058-2
12	58-59	Chevy GMC	Bed Wheelhouse - LH or RH	Fleetside	760-4058
13	58-59	Chevy GMC	Tailgate - with "CHEVROLET" Letters <a href="#">gm restoration</a>	Fleetside	925-4058-2
	58-59	Chevy GMC	Tailgate - with "GMC" Letters <a href="#">gm restoration</a>	Fleetside	925-4958
	58-59	Chevy GMC	Tailgate - Plain	Fleetside	925-4058



WARNING: Cancer and Reproductive Harm - [www.P65Warnings.ca.gov](http://www.P65Warnings.ca.gov)



## GLASS



VISIT US ONLINE FOR THE MOST UP-TO-DATE PRICING AND SELECTION



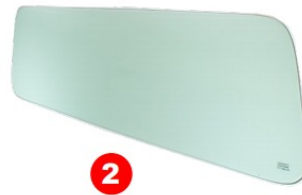
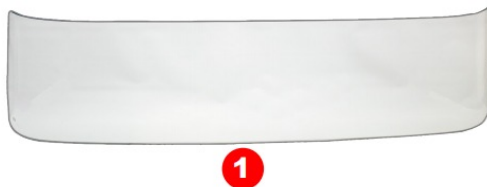
#	YEAR	MAKE	DESCRIPTION	MODEL	PART #
1	55-59	Chevy GMC	Windshield - Clear	TRK, SUV	380-4055-C
	55-59	Chevy GMC	Windshield - Green Tint	TRK, SUV	380-4055-T
2	55-59	Chevy GMC	Windshield Gasket - w/o Trim Groove	TRK, SUV	G-WBL407GM
	55-59	Chevy GMC	Windshield Gasket - w/ Trim Groove	TRK, SUV	G-WCR407GM
3	55-59	Chevy GMC	Wiper Arm - Stainless - LH	TRK, SUV	X382-4054-2L
	55-59	Chevy GMC	Wiper Arm - Stainless - RH	TRK, SUV	X382-4054-2R
4	55-59	Chevy GMC	Wiper Blade - 12" - LH or RH	TRK, SUV	X382-4055-I



#	YEAR	MAKE	DESCRIPTION	MODEL	PART #
5	55-59	Chevy GMC	Vent Glass - Clear - LH or RH	TRK	560-4055-C
6	55-59	Chevy GMC	Vent Glass - Green Tint - LH or RH	TRK	560-4055-T
7	55-59	Chevy GMC	Vent Window Handle Set - Pair	TRK	X561-4055-P

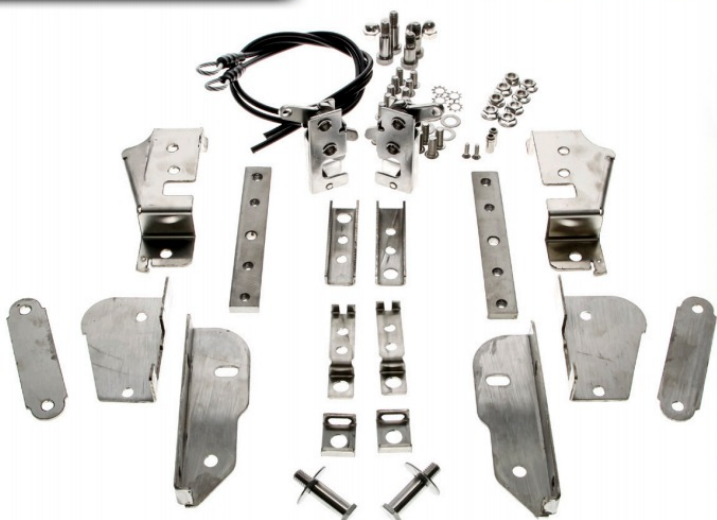


#	YEAR	MAKE	DESCRIPTION	MODEL	PART #
8	55-59	Chevy GMC	Door Glass Assembly - Chrome - LH	TRK	X550-4055-1L
	55-59	Chevy GMC	Door Glass Assembly - Chrome - RH	TRK	X550-4055-1R
9	55-59	Chevy GMC	Door Glass Assembly - Primer - LH	TRK	X550-4055-2L
	55-59	Chevy GMC	Door Glass Assembly - Primer - RH	TRK	X550-4055-2R
9	55-59	Chevy GMC	Door Glass - Clear - LH or RH	TRK	550-4055-C
10	55-59	Chevy GMC	Door Glass - Green Tint - LH or RH	TRK	550-4055-T
11	55-59	Chevy GMC	Window Regulator - LH	TRK	X545-4055-L
	55-59	Chevy GMC	Window Regulator - RH	TRK	X545-4055-R



#	YEAR	MAKE	DESCRIPTION	MODEL	PART #
1	55-59	Chevy GMC	Large Back Glass - Clear	TRK	660-4055-1C
	55-59	Chevy GMC	Large Back Glass - Green Tint	TRK	660-4055-1T
2	55-59	Chevy GMC	Small Back Glass - Clear	TRK	660-4055-C
	55-59	Chevy GMC	Small Back Glass - Green Tint	TRK	660-4055-T
3	55-59	Chevy GMC	Large Back Glass Gasket - w/ Chrome Lockstrip	TRK	G-WKT5561LC
4	55-59	Chevy GMC	Large Back Glass Gasket - w/ Black Lockstrip	TRK	G-WKT5561LGM





Replace your old rusty tailgate chains with a custom hidden latch kit. They are available in paintable, stainless hardware or full stainless versions; these hidden latch kits allow your tailgate to go unharmed. No more scratches from rusty chains!

#	YEAR	MAKE	DESCRIPTION	MODEL	PART #
1	55-59	Chevy GMC	Hidden Tailgate Latch Kit - Paint to Match	Stepside	X927-4000-1S
2	55-59	Chevy GMC	Hidden Tailgate Latch Kit - Stainless Hardware	Stepside	X927-4000-2S
3	55-59	Chevy GMC	Hidden Tailgate Latch Kit - Full Stainless	Stepside	X927-4000-3S

## GAS TANK & COMPONENTS



VISIT US ONLINE FOR THE MOST UP-TO-DATE PRICING AND SELECTION



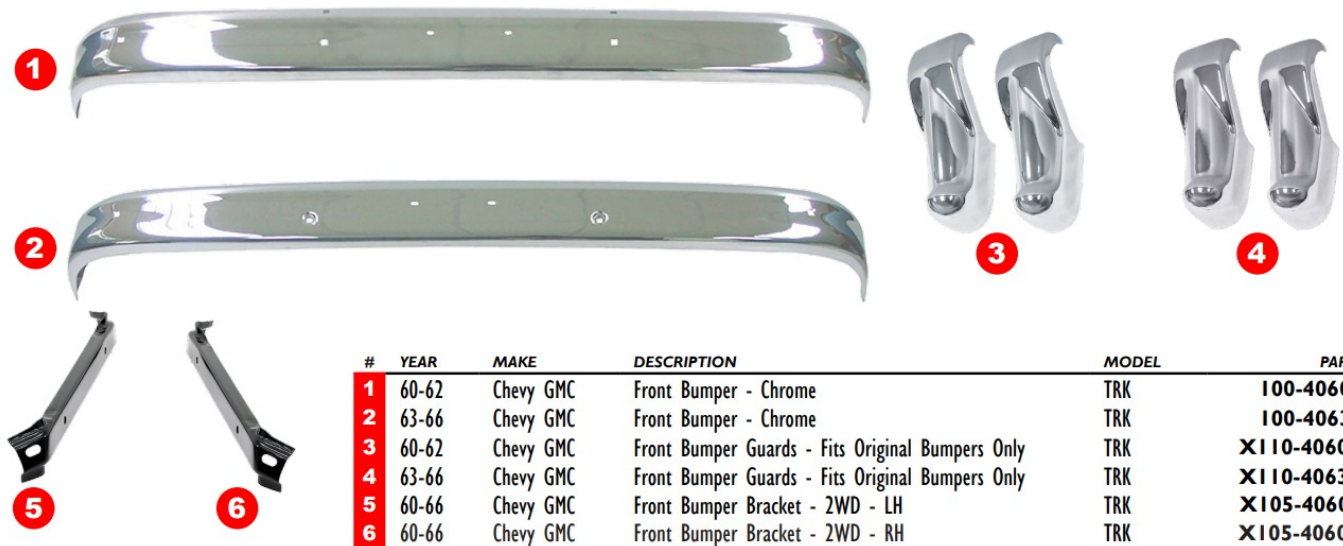
#	YEAR	MAKE	DESCRIPTION	MODEL	PART #
1	55-59	Chevy GMC	In Cab, 18 Gallon	TRK	890-4055-N
2	55-59	Chevy GMC	Gas Tank Strap Set - Pair	TRK	X880-4055-P
3	55-59	Chevy GMC	Gas Tank Sending Unit - Tank In Cab	TRK	881-4054-5
4	55-59	Chevy GMC	Gas Cap - Stainless Steel	TRK, SUV	X888-4038-1



WARNING: Cancer and Reproductive Harm - www.P65Warnings.ca.gov

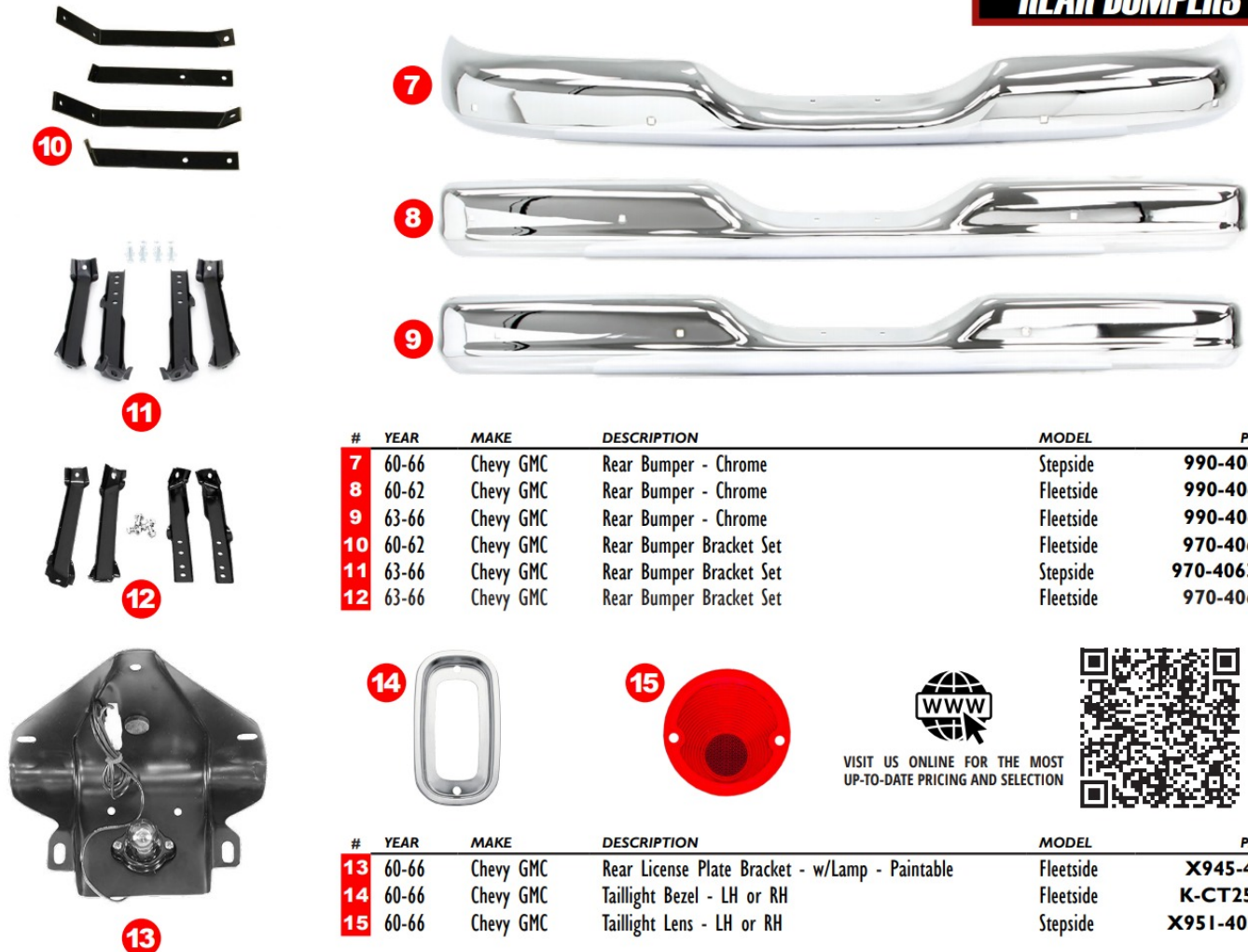
Description	Page	Description	Page	Description	Page
Air Conditioning Control Bezel Set	45	Door Latch, Front	39	Lighter Assembly	45
Air Vent Panel, Lower	36	Door Mirror	39	Mirror Arm Screw Kit	39
Antenna	35	Door Pillar, Rear Lower	37	Mirror Arm to Door Gasket	39
Ball End Hook Tool	47	Door Sill Plate	37	Park Brakes Connector, Rear	43
Battery Hold Down	35	Door Skin	39	Park Lamp Housing	35
Battery Tray Assembly	35	Fender Emblems, Front	34	Park Lamp Lens Gaskets	35
Bed Cross Sill, Fleetside	41	Fender, Front	34	Parking Lamp Bezel	35
Bed Cross Sill, Stepside	40	Fender, Inner	34	Parking Lamp Lens	35
Bed Panel, Front, Fleetside	41	Fender Lower Rear Mounting Plate	34	Power Steering Pulley Retaining Nut	43
Bed Panel, Front, Stepside	40	Fender Lower Rear Repair Panel	34	Radiator Support	36
Bed Reinforcement Strip, Fleetside	41	Fender Rear Vertical Inner Brace	34	Radiator Support Mount	36
Bed Reinforcement Strip, Stepside	40	Fender, Front	34	Radio Dash Panel	45
Bed Wheelhouse, Fleetside	41	Fenders, Stepside Rear	40	Rear View Mirror Bracket	45
Bedside Repair Panel	42	Footwell Kick Panel	37	Rear View Mirror Screws	45
Bedside, Fleetside	41	Gas Cap	42	Rocker Panel	37
Bedside, Stepside	40	Gas Tank	42	Roof / Windshield Repair Panel	38
Big Back Window Conversion	38	Gas Tank Neck and Hose Set	42	Roof Skin	38
Brake-Clutch Pedal Pad	45	Gas Tank Strap Set	42	Roof Repair Panel, Inner	38
Bumper Bracket Set, Rear	33	Glass, Back	46	Steering Coupler Bolt	43
Bumper Bracket, Front	33	Glass, Back Seal	46	Sway Bar End Link Set	43
Bumper Guards, Front	33	Glass Seal Rope-In Tool	47	Tailgate Chain	40
Bumper, Front	33	Glove Box Door	44	Tailgate Chain Covers	40
Bumper, Rear	33	Glove Box Door Bumpers	44	Tailgates, Fleetside	41
Cab Corner, Outer	37	Glove Box Door Emblems	44	Tailgates, Stepside	40
Cab Floor Extension, Outer	37	Glove Box Door Hinge	44	Taillight Bezel	33
Cab Floor Half, Front	37	Glove Box Liner	44	Taillight Lens	33
Cab Floor Sections, Rear Outer	37	Grille	34	Taillight Repair Panel	42
Cab Floor Support, Front	38	Grille Support Center Brace	34	Turn Signal Cancelling Cam	45
Cab Floor Support, Rear	38	Headlamp Adjusting Kit	34	Turn Signal Lever & Knob	45
Cab to Frame Mount Kit	38	Headlamp Bezels	34	Valve Covers	43
Cab, Center Support	38	Headlamp Dimmer Switch	34	Vent Glass	47
Cowl Side Vent Valves	36	Headlamp Mounting Bucket	34	Vent Window Assembly	47
Cowl to Hood Seal	36	Headlamp Retainer Ring	34	Weatherstrip Kit	43
Cowl Vent Panel	36	Headlamp Spring	34	Weatherstrip Stick	47
Division Bar	47	Headlight Retainer Ring	34	Wheel Bearing Caps, Front	43
Dome Lamp Assembly	45	Headlight Switch	45	Window & Door Handle Removal Tool	42
Door Bumper Kit	39	Heater Control Block Out Plate	45	Window Regulator	47
Door Bottom Repair Panel, Inner Front	39	Hood	35	Windshield	46
Door Check	39	Hood Hinge	35	Windshield Gasket	46
Door Glass	47	Hood Latch Support	35	Windshield Washer Jar & Bracket Kit	46
Door Handles	39	Hood Patch Panel	35	Wiper Arm	46
Door Hinge Pillar Repair Panel, Front	36	Hood to Fender Bumper Kit	35	Wiper Blade	46
Door Hinge Pin Kit	39	License Plate Bracket, Rear	33	Wiper Switch	45

## FRONT BUMPERS



#	YEAR	MAKE	DESCRIPTION	MODEL	PART #
1	60-62	Chevy GMC	Front Bumper - Chrome	TRK	100-4060-1
2	63-66	Chevy GMC	Front Bumper - Chrome	TRK	100-4063-1
3	60-62	Chevy GMC	Front Bumper Guards - Fits Original Bumpers Only	TRK	X110-4060-P
4	63-66	Chevy GMC	Front Bumper Guards - Fits Original Bumpers Only	TRK	X110-4063-P
5	60-66	Chevy GMC	Front Bumper Bracket - 2WD - LH	TRK	X105-4060-L
6	60-66	Chevy GMC	Front Bumper Bracket - 2WD - RH	TRK	X105-4060-R

## REAR BUMPERS



#	YEAR	MAKE	DESCRIPTION	MODEL	PART #
7	60-66	Chevy GMC	Rear Bumper - Chrome	Stepside	990-4060-1
8	60-62	Chevy GMC	Rear Bumper - Chrome	Fleetside	990-4060-2
9	63-66	Chevy GMC	Rear Bumper - Chrome	Fleetside	990-4063-2
10	60-62	Chevy GMC	Rear Bumper Bracket Set	Fleetside	970-4060-S
11	63-66	Chevy GMC	Rear Bumper Bracket Set	Stepside	970-4063-1S
12	63-66	Chevy GMC	Rear Bumper Bracket Set	Fleetside	970-4063-S



VISIT US ONLINE FOR THE MOST UP-TO-DATE PRICING AND SELECTION

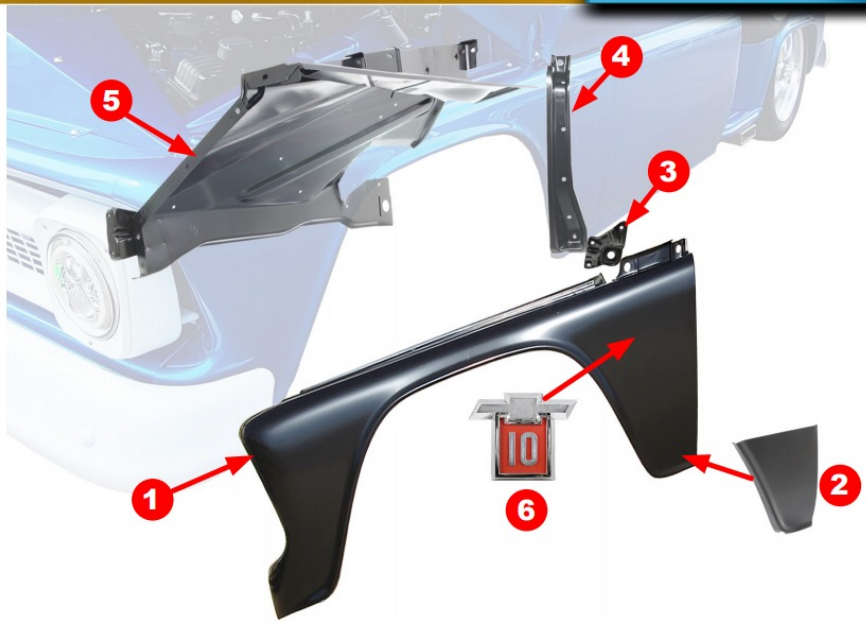


#	YEAR	MAKE	DESCRIPTION	MODEL	PART #
13	60-66	Chevy GMC	Rear License Plate Bracket - w/Lamp - Paintable	Fleetside	X945-4060
14	60-66	Chevy GMC	Taillight Bezel - LH or RH	Fleetside	K-CT25675
15	60-66	Chevy GMC	Taillight Lens - LH or RH	Stepside	X951-4055-1



## FRONT FENDERS

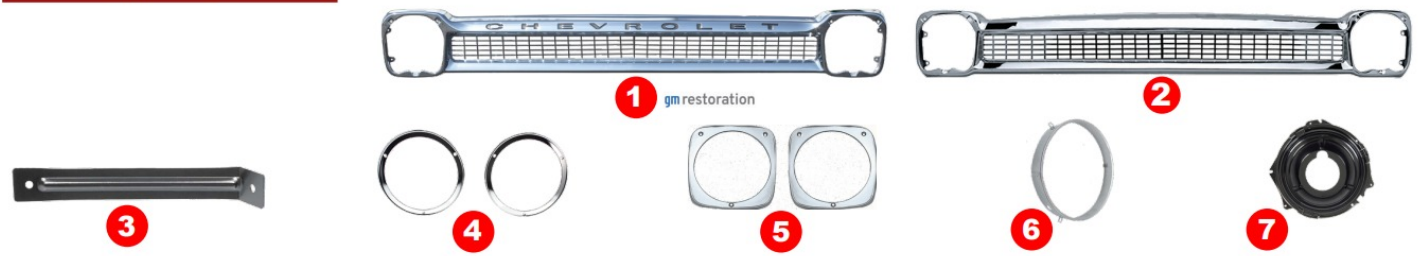
Each fender is manufactured using high quality, heavy gauge steel and features, depending on application, correct as original body lines, braces, marker light holes, and antenna cut-out. These fenders arrive in a black EDP Coat finish and will require standard prep work prior to paint.



VISIT US ONLINE FOR THE MOST UP-TO-DATE PRICING AND SELECTION

#	YEAR	MAKE	DESCRIPTION	MODEL	PART #
1	60-66	Chevy GMC	Front Fender - OE Style - LH	TRK, SUB	200-4060-L
	60-66	Chevy GMC	Front Fender - OE Style - RH	TRK, SUB	200-4060-R
2	60-66	Chevy GMC	Front Fender Lower Rear Repair Panel - LH	TRK	205-4060-L
	60-66	Chevy GMC	Front Fender Lower Rear Repair Panel - RH	TRK	205-4060-R
3	60-66	Chevy GMC	Front Fender Lower Rear Mounting Bracket - LH	TRK	206-4060-L
	60-66	Chevy GMC	Front Fender Lower Rear Mounting Bracket - RH	TRK	206-4060-R
4	60-66	Chevy GMC	Front Fender Rear Vertical Inner Brace - LH	TRK	220-4060-L
	60-66	Chevy GMC	Front Fender Rear Vertical Inner Brace - RH	TRK	220-4060-R
5	60-66	Chevy GMC	Inner Fender - OE Style - LH	TRK	250-4060-L
	60-66	Chevy GMC	Inner Fender - OE Style - RH	TRK	250-4060-R
6	64	Chevy GMC	Front Fender Emblems - "10" - Pair gm restoration	TRK	T-9325

## GRILLES



#	YEAR	MAKE	DESCRIPTION	MODEL	PART #
1	64-66	Chevy	Grille Shell - Chrome - w/ "CHEVROLET" gm restoration	TRK, SUB	I50-4064-I
2	64-66	Chevy	Grille Shell - Plain	TRK, SUB	K-T70465
3	64-66	Chevy GMC	Grille Support Center Brace	TRK, SUB	K-T70826
4	63	Chevy	Headlight Bezels - Chrome - Pair	TRK, SUB	X145-4063-3P
5	64-66	Chevy	Headlight Bezels - Chrome - Pair	TRK, SUB	K-CX1227
6	62-66	Chevy	Headlight Retainer Ring - 1" Width w/ Oval Hole	TRK	I46-3062
7	62-66	Chevy GMC	Headlight Mounting Bucket - LH or RH	TRK	W-698
8	62-66	Chevy	Headlight Adjusting Kit - 10pcs	TRK, SUB	X142-4062-S
9	62-66	Chevy GMC	Headlight Retainer Ring Screw Set - 6pcs	TRK	H-117
10	62-66	Chevy	Headlight Spring 2 Required - LH or RH	TRK	W-785
11	61-66	Chevy GMC	Headlight Dimmer Switch - Floor Mount - 12volt	TRK	X468-4061

## HOODS



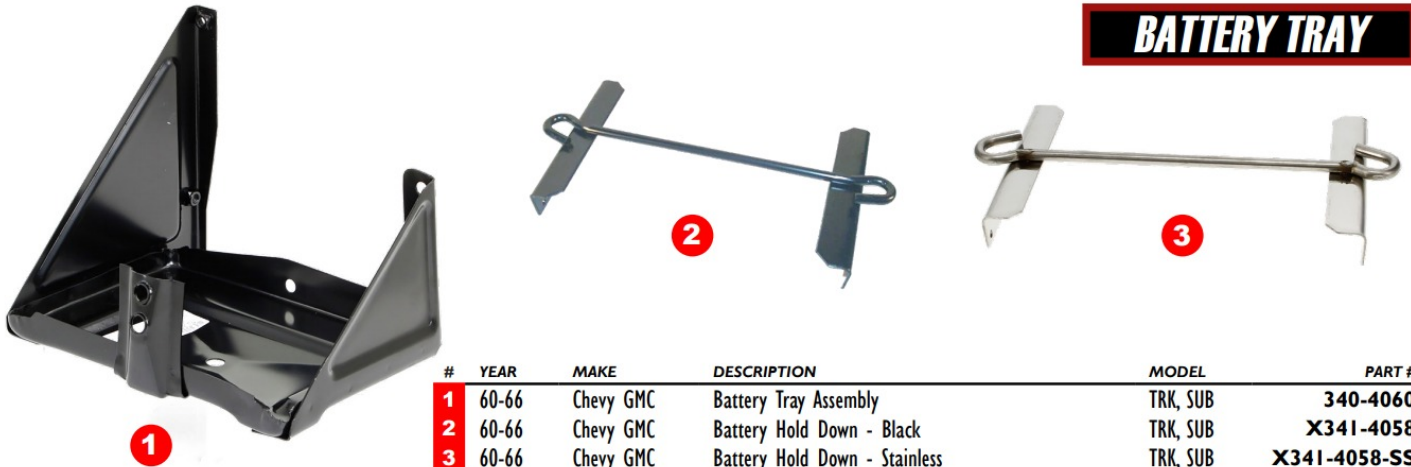
#	YEAR	MAKE	DESCRIPTION	MODEL	PART #
1	62-66	Chevy GMC	OE Style	TRK, SUB	300-4062
2	62-66	Chevy GMC	Front Upper Hood Patch Panel	TRK, SUB	302-4060
3	62-66	Chevy GMC	Front Lower Hood Patch Panel	TRK, SUB	302-4060-I
4	62-66	Chevy GMC	Hood Latch Support	TRK, SUB	X303-4062
5	62-66	Chevy GMC	Hood to Fender Bumper Kit - 10pcs	TRK, SUB	X305-4062-S
6	60-66	Chevy GMC	Hood Hinge - LH	TRK, SUB	X310-4060-L
	60-66	Chevy GMC	Hood Hinge - RH	TRK, SUB	X310-4060-R
7	64-66	Chevy GMC	Antenna - Telescopic - Chrome	TRK, SUB	280-4064
8	60-66	Chevy	Park Lamp Lens - Clear - LH or RH	TRK, SUB	T-A9125
9	60-66	Chevy	Park Lamp Lens - Amber - LH or RH	TRK, SUB	T-A9126
10	62-66	GMC	Park Lamp Lenses - Amber - Pair	TRK, SUB	T-A9832
11	62-66	Chevy	Park Lamp Bezel - LH or RH	TRK, SUB	K-CT23653
12	60-66	Chevy	Park Lamp Housing - LH or RH	TRK, SUB	133-4060
13	62-66	GMC	Park Lamp Lens Gaskets - Pair	TRK, SUB	X134-4962-P
14	60-66	Chevy	Park Lamp Lens Screws - 4pcs	TRK, SUB	X135-3066-S
15	60-66	Chevy GMC	Hood to Cowl Seal	TRK, SUB	X363-4060



VISIT US ONLINE FOR THE MOST UP-TO-DATE PRICING AND SELECTION



## BATTERY TRAY



#	YEAR	MAKE	DESCRIPTION	MODEL	PART #
1	60-66	Chevy GMC	Battery Tray Assembly	TRK, SUB	340-4060
2	60-66	Chevy GMC	Battery Hold Down - Black	TRK, SUB	X341-4058
3	60-66	Chevy GMC	Battery Hold Down - Stainless	TRK, SUB	X341-4058-SS



WARNING: Cancer and Reproductive Harm - www.P65Warnings.ca.gov



VISIT US ONLINE FOR THE MOST UP-TO-DATE PRICING AND SELECTION

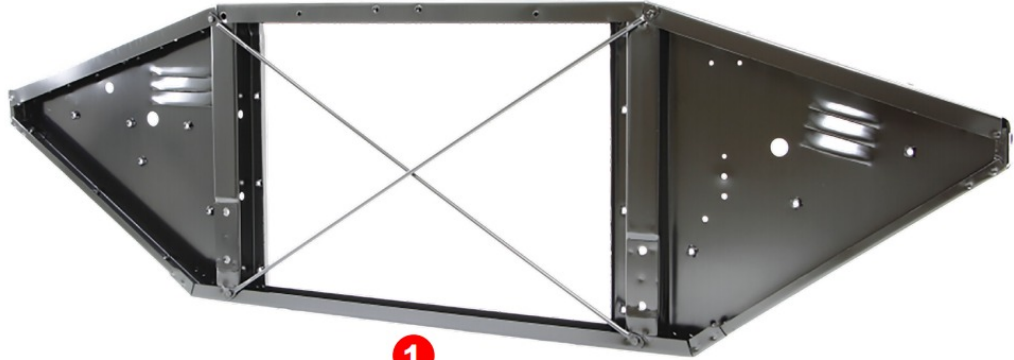
## RADIATOR SUPPORTS



2



3



1

#	YEAR	MAKE	DESCRIPTION	MODEL	PART #
1	60-66	Chevy GMC	w/ 'X'-brace	TRK, SUB	350-4060
2	60-66	Chevy GMC	Radiator Support Mount Assembly Kit - 2 Mounts	TRK, SUB	X347-4060-1S
3	60-66	Chevy GMC	Radiator Support Mount Cushion Set - 4pcs	TRK, SUB	X347-4055-1S

## COWL



5



6



4

#	YEAR	MAKE	DESCRIPTION	MODEL	PART #
4	60-66	Chevy GMC	Cowl Vent Panel - OE Style	TRK, SUB	371-4060-I
5	60-66	Chevy GMC	Cowl to Hood Seal	TRK	X363-4060
6	60-66	Chevy GMC	Cowl Side Vent Valve Repair Seals - Pair	TRK, SUB	X376-4060-5P



7



8

#	YEAR	MAKE	DESCRIPTION	MODEL	PART #
7	60-66	Chevy GMC	Lower Air Vent Repair Panel - LH	TRK	376-4060-1L
	60-66	Chevy GMC	Lower Air Vent Repair Panel - RH	TRK	376-4060-1R
8	60-66	Chevy GMC	Lower Front Door Hinge Pillar Repair Panel - LH	TRK	376-4060-L
	60-66	Chevy GMC	Lower Front Door Hinge Pillar Repair Panel - RH	TRK	376-4060-R

## CAB REPAIR PANELS

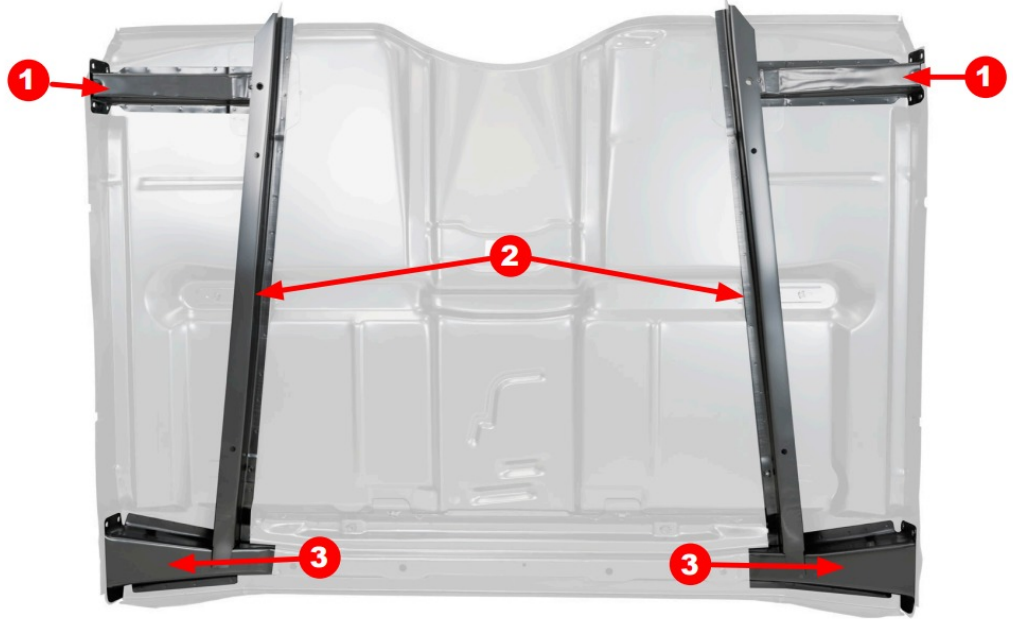


VISIT US ONLINE FOR THE MOST  
UP-TO-DATE PRICING AND SELECTION

#	YEAR	MAKE	DESCRIPTION	MODEL	PART #
1	60-62	Chevy GMC	Front Cab Floor Half - OE Style - LH	TRK	405-4060-L
	60-62	Chevy GMC	Front Cab Floor Half - OE Style - RH	TRK	405-4060-R
	63-66	Chevy GMC	Front Cab Floor Half - OE Style - LH	TRK	405-4063-L
	63-66	Chevy GMC	Front Cab Floor Half - OE Style - RH	TRK	405-4063-R
	60-66	Chevy GMC	Front Cab Floor Half - Universal Patch - LH	TRK	405-4060-1L
	60-66	Chevy GMC	Front Cab Floor Half - Universal Patch - RH	TRK	405-4060-1R
2	60-66	Chevy GMC	Outer Cab Floor Extension - LH	TRK	406-4060-L
	60-66	Chevy GMC	Outer Cab Floor Extension - RH	TRK	406-4060-R
3	60-66	Chevy GMC	Rear Outer Cab Floor Section - LH	TRK	406-4060-1L
	60-66	Chevy GMC	Rear Outer Cab Floor Section - RH	TRK	406-4060-1R
4	60-66	Chevy GMC	Footwell (Kick Panel) - LH	TRK	402-4060-L
	60-66	Chevy GMC	Footwell (Kick Panel) - RH	TRK	402-4060-R
5	60-66	Chevy GMC	Inner Rocker Panel - 44"x 5" - LH or RH	TRK	440-4060
6	60-66	Chevy GMC	Outer Rocker Panel - LH	TRK	450-4060-L
	60-66	Chevy GMC	Outer Rocker Panel - RH	TRK	450-4060-R
7	60-66	Chevy GMC	Door Sill Plate - Chrome - Plain - LH or RH	TRK	445-4060
	60-66	Chevy GMC	Door Sill Plate - Chrome - Bowtie - LH or RH	TRK	445-4060-I
8	60-66	Chevy GMC	Rear Lower Door Pillar - LH	TRK	751-4060-L
	60-66	Chevy GMC	Rear Lower Door Pillar - RH	TRK	751-4060-R
9	60-66	Chevy GMC	Outer Cab Corner - LH	TRK	480-4060-L
	60-66	Chevy GMC	Outer Cab Corner - RH	TRK	480-4060-R



## CAB FLOOR SUPPORTS



VISIT US ONLINE FOR THE MOST UP-TO-DATE PRICING AND SELECTION

#	YEAR	MAKE	DESCRIPTION	MODEL	PART #
1	60-66	Chevy GMC	Front Cab Floor Support - OE Style - LH or RH	TRK	425-4060-2
	60-66	Chevy GMC	Front Cab Floor Support - Slip-on - LH or RH	TRK	425-4060-S
2	60-66	Chevy GMC	Center Cab Support - LH	TRK	425-4060-L
	60-66	Chevy GMC	Center Cab Support - RH	TRK	425-4060-R
3	60-66	Chevy GMC	Rear Cab Floor Support - OE Style - LH	TRK	425-4060-1L
	60-66	Chevy GMC	Rear Cab Floor Support - OE Style - RH	TRK	425-4060-1R
	60-66	Chevy GMC	Rear Cab Floor Support - Slip-on - LH	TRK	425-4060-2L
	60-66	Chevy GMC	Rear Cab Floor Support - Slip-on - RH	TRK	425-4060-2R
4	60-66	Chevy GMC	Cab to Frame Mount Kit - 28 pcs - 1/2-ton 2WD only	TRK	X427-4060-1S



Searching junkyards to convert your truck is a thing of the past; AMD offers the big back window conversion panel developed on all new tooling using OE specs. This big back window conversion panel is constructed with heavy gauge steel and has all the same bends, curves, and dome light hole as original.

#	YEAR	MAKE	DESCRIPTION	MODEL	PART #
5	60-66	Chevy GMC	Inner Big Back Window Conversion Panel	TRK	665-4060

## ROOF SKINS



#	YEAR	MAKE	DESCRIPTION	MODEL	PART #
6	60-66	Chevy GMC	Roof Skin	TRK	600-4060
7	60-66	Chevy GMC	Roof / Windshield Repair Panel	TRK	610-4060
8	64-66	Chevy GMC	Inner Roof Repair Panel	TRK	610-4060-1



## DOOR REPAIR & COMPONENTS



\*Can be used on 60-63 models if the inner belt weatherstrip rail is reused from original front door.



VISIT US ONLINE FOR THE MOST UP-TO-DATE PRICING AND SELECTION

#	YEAR	MAKE	DESCRIPTION	MODEL	PART #
1	64-66	Chevy GMC	Front Door Skin - LH - 60-63 with modifications	TRK, SUB	510-4060-L
	64-66	Chevy GMC	Front Door Skin - RH - 60-63 with modifications	TRK, SUB	510-4060-R
2	60-63	Chevy GMC	Inner Front Door Bottom Repair Panel - LH	TRK, SUB	515-4060-L
	60-63	Chevy GMC	Inner Front Door Bottom Repair Panel - RH	TRK, SUB	515-4060-R
3	64-66	Chevy GMC	Inner Front Door Bottom Repair Panel - LH	TRK, SUB	515-4064-L
	64-66	Chevy GMC	Inner Front Door Bottom Repair Panel - RH	TRK, SUB	515-4064-R
	60-66	Chevy GMC	Lower Front Door Skin - LH or RH	TRK, SUB	516-4060
4	60-63	Chevy GMC	Front Door Latch - LH	TRK, SUB	X535-4060-L
	60-63	Chevy GMC	Front Door Latch - RH	TRK, SUB	X535-4060-R
5	64-66	Chevy GMC	Front Door Latch - LH	TRK, SUB	X535-4064-L
	64-66	Chevy GMC	Front Door Latch - RH	TRK, SUB	X535-4064-R
6	60-66	Chevy GMC	Door Check	TRK, SUB	X501-4060
7	60-66	Chevy GMC	Door Hinge Pin Kit	TRK, SUB	521-4067-S
8	60-63	Chevy GMC	Door Bumper Kit - 4 pcs	TRK, SUB	X501-4060-S
9	60-66	Chevy GMC	Outside Door Handle Set - Pair	TRK, SUB	X530-4060-P
10	61-62	Chevy GMC	Outside Door Mirror - w/ Hardware - "Bowtie" - LH or RH	TRK, SUB	X570-3961
11	60-66	Chevy GMC	Outside Mirror Arm Screw Kit - 3 pcs - use one kit per arm	TRK, SUB	X570-4055-4S
12	60-66	Chevy GMC	Outside Mirror Arm to Door Gasket - LH or RH	TRK, SUB	X570-4060-3



## STEPSIDE BED



VISIT US ONLINE FOR THE MOST UP-TO-DATE PRICING AND SELECTION



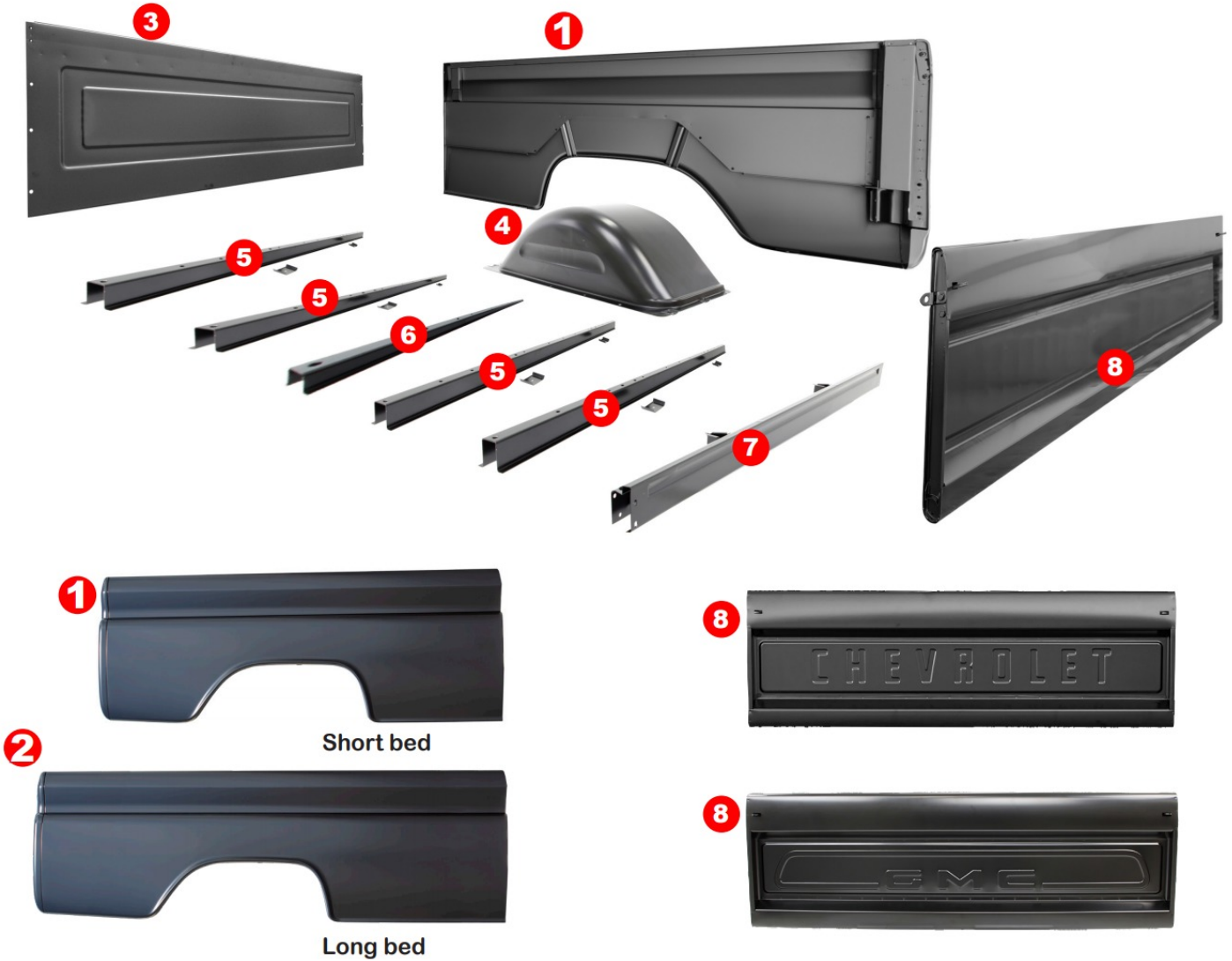
#	YEAR	MAKE	DESCRIPTION	MODEL	PART #
1	60-66	Chevy GMC	Bedside - OE Style - LH	Short Bed Stepside	721-4060-L
	60-66	Chevy GMC	Bedside - OE Style - RH	Short Bed Stepside	721-4060-R
2	60-66	Chevy GMC	Rear Fender - LH	Stepside	780-4055-L
	60-66	Chevy GMC	Rear Fender - RH	Stepside	780-4055-R
3	60-66	Chevy GMC	Front Bed Panel	Stepside	715-4060-I
4	60-62	Chevy GMC	Bed Cross Sill - Front / Center - 1/2-Ton (use 3) or 3/4-Ton (use 5)	Stepside	716-4060-I
	63-66	Chevy GMC	Bed Cross Sill - Front / Center - 1/2-Ton (use 3) or 3/4-Ton (use 5)	Stepside	716-4063-I
5	60-66	Chevy GMC	Bed Reinforcement Strip - 49.5"	Stepside	717-4060-I
6	63-66	Chevy GMC	Bed Cross Sill - Rear	Stepside	716-4063-3
7	60-66	Chevy GMC	Tailgate - Plain	Stepside	925-4054-I
	60-66	Chevy	Tailgate - w/ "CHEVROLET" gm restoration	Stepside	925-4054-2
	60-66	GMC	Tailgate - w/ "GMC" gm restoration	Stepside	925-4954
	60-66	Chevy GMC	Tailgate Chain Covers - Black - Pair	Stepside	X927-4041-3P
8	60-66	Chevy GMC	Tailgate Chain - Steel - Pair	Stepside	X927-4041-XX



VISIT US ONLINE FOR THE MOST UP-TO-DATE PRICING AND SELECTION



## FLEETSIDE BED



Short bed



Long bed



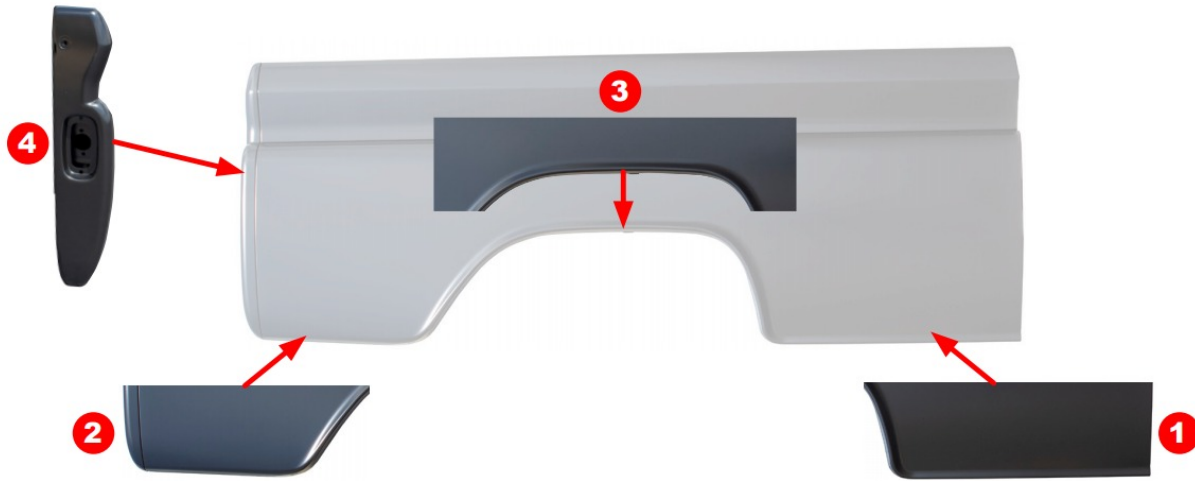
#	YEAR	MAKE	DESCRIPTION	MODEL	PART #
1	60-66	Chevy GMC	Bedside - OE Style - LH	Short Bed Fleetside	720-4060-1L
	60-66	Chevy GMC	Bedside - OE Style - RH	Short Bed Fleetside	720-4060-1R
2	60-66	Chevy GMC	Bedside - OE Style - LH	Long Bed Fleetside	720-4060-2L
	60-66	Chevy GMC	Bedside - OE Style	Long Bed Fleetside	720-4060-2R
3	60-66	Chevy GMC	Front Bed Panel	Fleetside	715-4060-2
4	60-66	Chevy GMC	Bed Wheelhouse - LH or RH	Fleetside	760-4060
5	60-62	Chevy GMC	Bed Cross Sill - Front / Center - 1/2-Ton (use 3 center) or 3/4-Ton (use 5 center)	Fleetside	716-4060-2
	63-66	Chevy GMC	Bed Cross Sill - Front / Center - 1/2-Ton (use 3 center) or 3/4-Ton (use 5 center)	Fleetside	716-4063-2
6	60-66	Chevy GMC	Bed Reinforcement Strip	Fleetside w/ Wood Bed Floor	717-4060-8
7	63-66	Chevy GMC	Bed Cross Sill - Rear	Fleetside w/ Wood Bed Floor	716-4063-31
8	60-66	Chevy GMC	Tailgate - Plain	Fleetside	925-4058
	60-66	Chevy	Tailgate - w/ "CHEVROLET" gm restoration	Fleetside	925-4058-2
	60-66	GMC	Tailgate - w/ "GMC" gm restoration	Fleetside	925-4958



WARNING: Cancer and Reproductive Harm - www.P65Warnings.ca.gov



## BED REPAIR PANELS



#	YEAR	MAKE	DESCRIPTION	MODEL	PART #
1	60-66	Chevy GMC	Bedside Repair Panel - Lower Front - LH	Short Bed Fleetside	725-4060-6L
	60-66	Chevy GMC	Bedside Repair Panel - Lower Front - RH	Short Bed Fleetside	725-4060-6R
	60-66	Chevy GMC	Bedside Repair Panel - Lower Front - LH	Long Bed Fleetside	725-4060-8L
2	60-66	Chevy GMC	Bedside Repair Panel - Lower Front - RH	Long Bed Fleetside	725-4060-8R
	60-66	Chevy GMC	Bedside Repair Panel - Upper Wheel Arch - LH	Fleetside	730-4060-L
3	60-66	Chevy GMC	Bedside Repair Panel - Upper Wheel Arch - RH	Fleetside	730-4060-R
	60-66	Chevy GMC	Bedside Repair Panel - Lower Rear - LH	Short Bed Fleetside	755-4060-6L
4	60-66	Chevy GMC	Bedside Repair Panel - Lower Rear - RH	Short Bed Fleetside	755-4060-6R
	60-66	Chevy GMC	Taillight Repair Panel - LH	Fleetside	719-4060-L
	60-66	Chevy GMC	Taillight Repair Panel - RH	Fleetside	719-4060-R

## GAS TANK



VISIT US ONLINE FOR THE MOST UP-TO-DATE PRICING AND SELECTION

#	YEAR	MAKE	DESCRIPTION	MODEL	PART #
1	60-66	Chevy GMC	w/ Filler Neck - Tank in Cab	TRK	890-4060-N
2	60-66	Chevy GMC	Gas Tank Strap Set	TRK	880-4060-P
3	60-66	Chevy GMC	Gas Cap - Stainless Steel	TRK, SUB	X888-4038-I
4	60-66	Chevy GMC	Gas Tank Neck and Hose Set - Chrome	TRK	K-K9476I
5	60-66	Chevy GMC	Gas Tank Neck and Hose Set - Black	TRK	K-K94763



VISIT US ONLINE FOR THE MOST UP-TO-DATE PRICING AND SELECTION



## WEATHERSTRIP KITS



1



2

Complete weatherstrip seal gasket kits include:

- Door weatherstrip (Glue On Style)
- Upper Window Channel
- Division Post Glass Run
- Vent Window Seal Kits
- Windshield Rubber Seal
- Beltline Window Felts
- Rear Window Rubber Seal.

#	YEAR	MAKE	DESCRIPTION	MODEL	PART #
1	64-66	Chevy GMC	w/ Trim Groove	TRK	X599-4064-1S
2	64-66	Chevy GMC	w/o Trim Groove	TRK	X599-4064-2S



1

gm restoration



2



3

## MISCELLANEOUS



4



5



6



7

#	YEAR	MAKE	DESCRIPTION	MODEL	PART #
1	65-66	Chevy	Valve Covers - SBC - Paintable w/ "CHEVROLET" - Pair	TRK	W-541
2	62-66	Chevy GMC	Sway Bar End Link Set	TRK	SS-39
3	62-66	Chevy GMC	Front Wheel Bearing Caps - 2 Piece Set	TRK	W-087
4	60-66	Chevy GMC	Steering Column Coupler Bolt - 12 point	TRK	H-160
5	63-66	Chevy GMC	Power Steering Pulley Retaining Nut	TRK	H-173
6	66	Chevy GMC	Rear Park Brake Connector - Pair	TRK	W-903
7	66	Chevy GMC	Brake/Clutch Pedal Bushing Set - Nylon - 4pcs	TRK	K-K1448



WARNING: Cancer and Reproductive Harm - www.P65Warnings.ca.gov



## INTERIOR



1



2



3



4



5



6



7



8



9



10

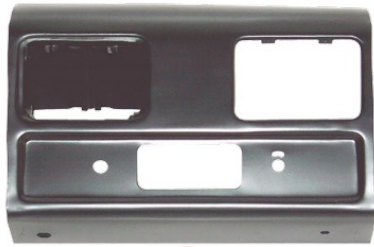


VISIT US ONLINE FOR THE MOST UP-TO-DATE PRICING AND SELECTION

#	YEAR	MAKE	DESCRIPTION	MODEL	PART #
1	64-66	Chevy	Glove Box Door - Black	TRK	461-4064
2	64-66	Chevy	Glove Box Door - Chrome	TRK	461-4064-C
3	64-66	Chevy	Glove Box Door Hinge	TRK	461-4064-1
4	60-66	Chevy GMC	Glove Box Door Bumpers - Pair	TRK	J-1069
5	64-66	Chevy	Glove Box Door Emblem - w/ "CHEVROLET" gm restoration	TRK	T-9340
6	64-66	Chevy	Glove Box Door Emblem - Chrome - w/ "CHEVROLET" gm restoration	TRK	T-9340A
7	60-63	Chevy	Glove Box Liner	TRK	X461-4060-1
8	64-66	Chevy	Glove Box Liner - w/o AC	TRK	X461-4064-1
9	64-66	Chevy	Glove Box Liner - w/ AC	TRK	X461-4064-2
10	60-66	GMC	Glove Box Liner	TRK	X461-4960-1



## INTERIOR



1



2



3



4



5



6



7



8



9



10



11



12



13



14



VISIT US ONLINE FOR THE MOST UP-TO-DATE PRICING AND SELECTION

#	YEAR	MAKE	DESCRIPTION	MODEL	PART #
1	60-63	Chevy	Radio Dash Panel	TRK, SUB	466-4060
2	64-66	Chevy	Radio Dash Panel	TRK, SUB	466-4064
3	64-66	Chevy	Heater Control Block Out Plate	TRK, SUB	460-4064
4	63-66	Chevy GMC	Turn Signal Lever & Knob	TRK, SUB	458-4063-1
5	64-66	Chevy GMC	Turn Signal Cancelling Cam - w/o Tilt	TRK, SUB	458-4064-2
6	64-66	Chevy GMC	Headlight Switch	TRK, SUB	X460-4064-11
7	64-66	Chevy	Wiper Switch - 2 Speed	TRK, SUB	460-4064-1
8	64-66	Chevy GMC	Lighter Assembly	TRK, SUB	453-4064
9	64-66	Chevy	Air Conditioning Control Bezel Set	TRK, SUB	T-9330
10	60-66	Chevy GMC	Brake-Clutch Pedal Pad - w/o bright trim - Sold Separately	TRK, SUB	X476-4060
11	60-66	Chevy GMC	Dome Lamp Assembly - Chrome Base	TRK, SUB	X612-4060-CS
12	60-66	Chevy GMC	Dome Lamp Assembly - White Base	TRK, SUB	X612-4060-WS
13	60-66	Chevy GMC	Inside Rear View Mirror Bracket	TRK, SUB	X645-4060-3
14	60-66	Chevy GMC	Inside Rear View Mirror Screw	TRK, SUB	X645-4060-5



WARNING: Cancer and Reproductive Harm - www.P65Warnings.ca.gov



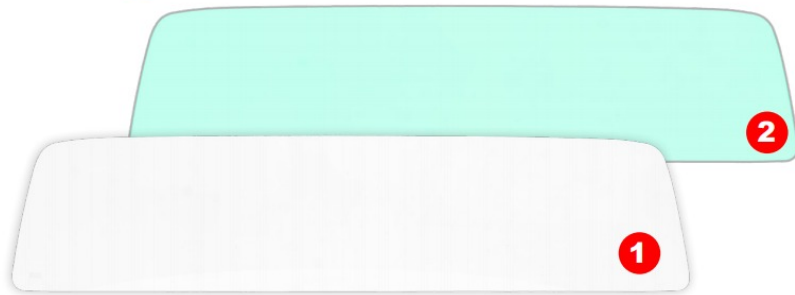
## GLASS



#	YEAR	MAKE	DESCRIPTION	MODEL	PART #
1	60-63	Chevy GMC	Windshield - Clear	TRK, SUB	380-4060-C
	64-66	Chevy GMC	Windshield - Clear	TRK, SUB	380-4064-C
2	60-63	Chevy GMC	Windshield - Green Tint	TRK, SUB	380-4060-T
	64-66	Chevy GMC	Windshield - Green Tint	TRK, SUB	380-4064-T
3	64-66	Chevy GMC	Windshield - w/ Tint Band - Green Tint	TRK, SUB	380-4064-TB



#	YEAR	MAKE	DESCRIPTION	MODEL	PART #
4	60-63	Chevy GMC	Windshield Gasket Seal - w/o Trim Groove	TRK, SUB	G-WBL587GM
5	60-63	Chevy GMC	Windshield Gasket Seal - w/ Trim Groove	TRK, SUB	G-WCR587DGM
6	64-66	Chevy GMC	Windshield Gasket Seal - w/o Trim Groove	TRK, SUB	G-WBL653
7	64-66	Chevy GMC	Windshield Gasket Seal - w/ Trim Groove	TRK, SUB	G-WCR653GM
8	60-66	Chevy GMC	Wiper Arm - Stainless Steel - LH	TRK, SUB	X382-4060-2L
9	60-66	Chevy GMC	Wiper Arm - Stainless Steel - RH	TRK, SUB	X382-4060-2R
9	60-66	Chevy GMC	Wiper Blade - LH or RH - 13"	TRK, SUB	X382-4060-1
10	60-66	Chevy GMC	Wiper Blade - LH or RH - 15"	TRK, SUB	X382-4067-1
11	64-66	Chevy GMC	Windshield Washer Jar & Bracket Kit	TRK, SUB	K-K2535



#	YEAR	MAKE	DESCRIPTION	MODEL	PART #
1	60-66	Chevy GMC	Large Back Glass - Clear	TRK	660-4060-1C
	60-66	Chevy GMC	Small Back Glass - Clear	TRK	660-4060-C
2	60-66	Chevy GMC	Large Back Glass - Green Tint	TRK	660-4060-1T
	60-66	Chevy GMC	Small Back Glass - Green Tint	TRK	660-4060-T
3	60-66	Chevy GMC	Small Back Glass Seal - w/ Black Strip	TRK	G-WKT4266SGM
4	60-66	Chevy GMC	Small Back Glass Seal - w/ Chrome Strip	TRK	G-WKT4266SC
5	60-66	Chevy GMC	Large Back Glass Seal - w/ Black Strip	TRK	G-WKT5561LGM
6	60-66	Chevy GMC	Large Back Glass Seal - w/ Chrome Strip	TRK	G-WKT5561LC

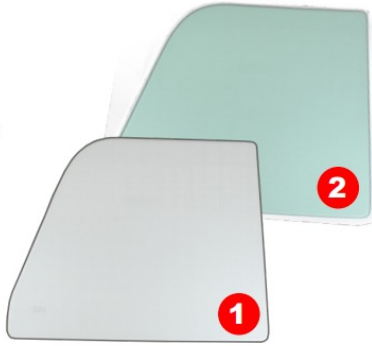




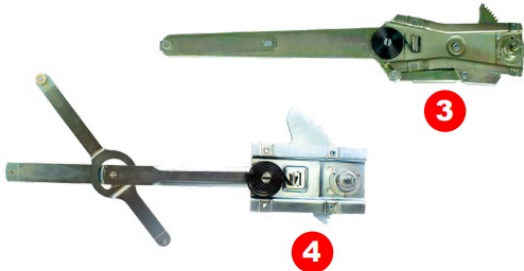
VISIT US ONLINE FOR THE MOST UP-TO-DATE PRICING AND SELECTION



## GLASS



#	YEAR	MAKE	DESCRIPTION	MODEL	PART #
1	60-63	Chevy GMC	Door Glass - Clear - LH or RH	TRK	550-4060-C
	64-66	Chevy GMC	Door Glass - Clear - LH or RH	TRK	550-4064-C
2	60-63	Chevy GMC	Door Glass - Green Tint - LH or RH	TRK	550-4060-T
	64-66	Chevy GMC	Door Glass - Green Tint - LH or RH	TRK	550-4064-T



#	YEAR	MAKE	DESCRIPTION	MODEL	PART #
3	60-63	Chevy GMC	Window Regulator - LH	TRK	X545-4060-L
	60-63	Chevy GMC	Window Regulator - RH	TRK	X545-4060-R
4	64-66	Chevy GMC	Window Regulator - LH	TRK	X545-4064-L
	64-66	Chevy GMC	Window Regulator - RH	TRK	X545-4064-R



#	YEAR	MAKE	DESCRIPTION	MODEL	PART #
5	64-66	Chevy GMC	Vent Window Assembly Chrome/Clear Glass - LH	TRK	K-CX4813
	64-66	Chevy GMC	Vent Window Assembly Chrome/Clear Glass - RH	TRK	K-CX4817
6	60-63	Chevy GMC	Vent Glass - Clear - LH or RH	TRK	560-4060-C
	60-63	Chevy GMC	Vent Glass - Green Tint - LH or RH	TRK	560-4060-T
7	64-66	Chevy GMC	Vent Glass - Clear - LH or RH	TRK	560-4064-C
	64-66	Chevy GMC	Vent Glass - Green Tint - LH or RH	TRK	560-4064-T



#	YEAR	MAKE	DESCRIPTION	MODEL	PART #
8	64-66	Chevy GMC	Division Bars - w/ Felt - Pair	TRK	U-KG1005A
9	64-66	Chevy GMC	Division Bar - w/ Felt - LH or RH	TRK	U-G1005



#	DESCRIPTION	PART #
10	Glass Seal Rope-In Tool	TOOL-1
11	Ball End Hook Tool	TOOL-2
12	Weatherstrip Stick	TOOL-3



WARNING: Cancer and Reproductive Harm - www.P65Warnings.ca.gov



## INDEX

Description	Page
A/C Hose Clamp	56
Accelerator Pedal	66
Accelerator Pedal Pad	66
Accelerator Pedal Pad Trim	66
Air Cleaner Dual Snorkel	81
Air Cleaner Lid	81
Alternator Bracket, Lower	80
Alternator Bracket, Upper	80
Antenna Bezel Gasket	52
Antenna Bezel Nut	52
Antenna Mast	52
Astro Side Vent Ball	68
Back Glass	63
Back Glass Reveal Molding Set	63
Back-up Light Assembly	79
Back-up Light Housing	79
Back-up Light Lens	79
Ball End Hook Tool	63
Battery Clamp	56
Battery Clamp Bolt	56
Battery Junction Block	56
Battery Tray	56
Bed Cross Sill, Fleetside Wood Floor	70
Bed Cross Sill, Stepside	73
Bed Floor Assembly, Fleetside Steel Floor	71
Bed Floor Repair Panel, Steel Floor	71
Bed Molding, Front Lower	76
Bed Molding, Rear Lower	76
Bed Molding, Upper	76
Bed Panel, Front, Fleetside Steel Floor	71
Bed Panel, Front, Fleetside Wood Floor	70
Bed Panel, Front, Stepside	73
Bed Reinforcement Strip, Wood Floor	70
Bed Reinforcement Strip, Stepside	73
Bed Step, Stepside	73
Bed to Floor Frame Mounting Kit	71
Bed Wheelhouse, Fleetside Steel Floor	71
Bed Wheelhouse, Fleetside Wood Floor	70
Bedside Repair Panel	75
Bedside Splash Shield Hardware, Inner	75

Description	Page
Bedside Splash Shield, Inner	75
Bedside, Fleetside Steel Floor	71
Bedside, Fleetside Wood Floor	70
Bedside, Stepside	73
Beltline Window Felt Seals	65
Brake Booster Reinforcement Panel	57
Bumper Bolt Kit, Front	50
Bumper Bolt Kit, Rear	51
Bumper Brace, Inner Front	50
Bumper Bracket Set, Front	50
Bumper Bracket Set, Rear	51
Bumper Filler/Radiator Deflector	50
Bumper, Front	50
Bumper, Rear	51
Cab Corner Molding	76
Cab Corner, Outer	58
Cab Floor Crossmember, Rear	59
Cab Floor Extension, Outer	58
Cab Floor Extension, Rear Outer	58
Cab Floor Half, Front	58
Cab Floor Repair Patch, Rear	58
Cab Floor Support, Front	59
Cab Floor Support, Inner	59
Cab Floor Support, Rear	59
Cab to Frame Mount Kit	59
Cargo Lamp Switch	67
Cargo Lens Screws	79
Cargo Light Assembly	79
Cargo Light Housing	79
Cargo Light Lens	79
Cargo Light Lens Gasket	79
Cargo Light Mount Spacers	79
Cargo Light to Cab Seal	79
Control Arm, Upper	81
Cowl Panel, Inner	57
Cowl Vent Panel	57
Crankshaft Pulley	80
Dash Bezel	67
Disc Brake Dust Shields	81
Dome Lamp Assembly	68
Door Bottom Repair Panel, Front	60

Description	Page
Door Decal	69
Door Glass	65
Door Handle Set, Outside	61
Door Hinge Bolt Kit	61
Door Hinge Pillar Repair Panel,	58
Door Hinge Pin Kit	61
Door Hinge, Lower	61
Door Hinge, Upper	61
Door Jamb Vent Louver with Seal	68
Door Latch Relay	61
Door Latch, Front	61
Door Lock Set	61
Door Molding, Lower	76
Door Molding, Upper	76
Door Panel Trim / Retainer Set, Front	60
Door Panel, Front	60
Door Pillar, Lower Rear	58
Door Reinforcement Kit, Front	60
Door Seal	65
Door Shell, Front	60
Door Sill Plate, Front	59
Door Skin, Front	60
Engine Lift Bracket Set	80
Engine Oil Dipstick & Tube Kit	81
Fender Center Brace Set, Rear Stepside	73
Fender Emblem, Front	69
Fender Eyebrow Molding	76
Fender Molding, Front Lower	76
Fender Molding, Front Upper	76
Fender Molding, Rear Lower	76
Fender Repair Panel, Rear	54
Fender, Front	54
Fender, Inner	54
Fender, Rear Stepside	73
Firewall	57
Floor Pan Assembly	58
Footwell Kick Panel	58
Gas Cap	62
Gas Filler Hole Eliminator Patch	62
Gas Tank	62
Gas Tank Neck Grommet	62

## INDEX

Description	Page	Description	Page	Description	Page
Gas Tank Sending Unit	62	License Plate Lamp Assembly	51	Tailgate Handle	74
Gear Shift Lever	68	Marker Light, Front Side	78	Tailgate Latches	74
Glass Seal Rope-In Tool	63	Marker Light, Rear Side	78	Tailgate Latches Hardware	74
Glove Box Door	69	Master Body Hardware Kit	62	Tailgate Link Hardware	74
Glove Box Door Bumpers	69	Mirror Arm Screw Set, Outside	61	Tailgate Molding, Lower	77
Glove Box Liner	69	Mirror Arm to Door Gasket, Outside	61	Tailgate Molding, Upper	77
Gravel Deflector	51	Mirror Arm, Outside	61	Tailgate Rods	74
Grille Emblem	52	Mirror Bracket, Inside Rear View	68	Tailgate Trunnion	74
Grille Insert	52	Mirror Head, Outside	61	Tailgate, Fleetside Steel Floor	71
Grille Molding	53	Mirror Screw, Inside Rear View	68	Tailgate, Stepside	73
Grille Molding Clip Set	53	Mirror, Outside	61	Taillight Assembly	79
Grille Mounting Kit	52	Molding Kit, Lower Side	76	Taillight Lens	79
Grille Shell	52	Molding Kit, Upper Side	76	Taillight Repair Panel	75
Grille Support	53	Park Brake Cover	66	Temperature Control Knobs	68
Headlamp Bezel	53	Park Brake Pedal	66	Tie Rod Sleeve	81
Headlamp Bucket	53	Park Brake Pedal Trim	66	Timing Chain Cover	80
Headlamp Retainer Ring	53	Park Lamp Lens Gaskets	78	Transmission Cover	58
Headlamp Spring	53	Park Light Assembly	78	Turn Signal Lever	68
Headlamp Switch	67	Park Light Lens	78	Valve Covers	81
Headlamp Switch Inner Retainer Nut	67	Parking Brake Release Handle	66	Vent Glass	64
Headlamp Switch Pull Rod & Knob	67	Power Steering Driver Pulley	80	Vent Window Handle Kit	64
Headlight Adjuster Kit	53	Power Steering Pump Cradle Bracket	80	Vent Window Pivot Stud Nut	64
Heater Control Knobs	68	Radiator Retainer Set	56	Vent Window Seal	64
Hood	55	Radiator Support	56	Vent Window Vertical Rear Seal	64
Hood Adjustment Bumper Set	55	Radiator Support Mount	56	Vent Window Weatherstrip Set	64
Hood Bumper Kit	54	Rocker Box	59	Weatherstrip Kit	64
Hood Hinges	55	Rocker Box End Cap	59	Weatherstrip Stick	63
Hood Latch Assembly	55	Rocker Panel, Outer	58	Wheelhouse Hardware Kit, Steel Floor	71
Hood Latch Support	55	Roof Drip Rail	57	Wheelhouse Hardware Kit, Wood Floor	70
Hood Letters	69	Roof Panel, Inner Front	57	Window & Door Handle Removal Tool	65
Hood Molding, Front	53	Roof Skin	57	Window Channel Run Seal	65
Hood to Cowl Seal	57	Shock Bracket, Fleetside Wood Floor	70	Window Crank Escutcheon	65
Ignition Coil Bracket	80	Spare Tire Mounting	51	Window Crank Handle	65
Ignition Switch	67	Speedometer Cable	67	Window Crank Handle Washer Set	65
Ignition Switch Bezel	67	Stationary Glass Seal	63	Window Regulator Roller	65
Ignition Switch Spacer	67	Sun Visor Retainer Clips	68	Window Regulator, Front Door	65
Instrument Lens	67	Tailgate Bumpers, Upper	74	Windshield	63
License Plate Bracket Bolt Set, Rear	51	Tailgate Chain Covers, Stepside	73	Windshield Gasket	63
License Plate Bracket, Rear	51	Tailgate Chains, Stepside	73	Windshield Reveal Molding Set	63
License Plate Hardware Kit	50	Tailgate Component Kit	74	Wiper Switch	67



## FRONT BUMPER



1



2



3



4



5



6



7



8



9



10



11



12



VISIT US ONLINE FOR THE MOST UP-TO-DATE PRICING AND SELECTION

#	YEAR	MAKE	DESCRIPTION	MODEL	PART #
1	67-70	Chevy	Front Bumper - Chrome	TRK	100-4067
	67-68	GMC	Front Bumper - Chrome	TRK	100-4067
2	67-70	Chevy	Front Bumper - Chrome - with Fog Light Holes	TRK	100-4067-1
	67-68	GMC	Front Bumper - Chrome - with Fog Light Holes	TRK	100-4067-1
3	71-72	Chevy	Front Bumper - Chrome	TRK	100-4071
4	69-72	GMC	Front Bumper - Chrome	TRK	100-4969
5	69-70	Chevy	Front Bumper Bracket Set - 2WD	TRK/SUV	105-4067-S
	69-72	GMC	Front Bumper Bracket Set - 2WD	TRK/SUV	105-4067-S
6	71-72	Chevy	Front Bumper Bracket Set - 2WD	TRK/SUV	105-4071-S
7	67-70	Chevy	Front Bumper Bracket Set - 4WD	TRK/SUV	105-4067-4S
	67-72	GMC	Front Bumper Bracket Set - 4WD	TRK/SUV	105-4067-4S
8	71-72	Chevy	Front Bumper Bracket Set - 4WD	TRK/SUV	105-4071-4S
9	67-68	Chevy/GMC	Bumper Filler / Radiator Deflector	TRK	115-4067
10	67-72	Chevy/GMC	Inner Front Bumper Brace - LH or RH	TRK/SUV	X105-4067-1
11	67-72	Chevy/GMC	Front Bumper Bolt Kit - 24pcs	TRK/SUV	101-4067-S
12	67-72	Chevy/GMC	License Plate Hardware Kit - 4pcs	TRK/SUV	X102-3067-S



## REAR BUMPER



VISIT US ONLINE FOR THE MOST UP-TO-DATE PRICING AND SELECTION

#	YEAR	MAKE	DESCRIPTION	MODEL	PART #
1	67-72	Chevy/GMC	Rear Bumper - Chrome	TRK/SUV	990-4067-1
2	67-72	Chevy/GMC	Rear Bumper - Chrome - w/o Impact Strip Holes	STEPSIDE	990-4067-2
3	67-72	Chevy/GMC	Rear Bumper Bolt Kit - 12pcs	TRK/SUV	991-4067-S
4	67-72	Chevy/GMC	Rear Bumper Bracket Set - w/ Rear Coil Springs	TRK	970-4067-S
	67-72	Chevy/GMC	Rear Bumper Bracket Set - 4WD	SHORT BED	970-4067-4S
5	69-72	Chevy/GMC	Rear License Plate Bracket - Chrome	TRK/SUV	945-4067-C
6	67-72	Chevy/GMC	Rear License Plate Bracket - Black	TRK/SUV	945-4067
7	67-72	Chevy/GMC	Rear License Plate Bracket Bolt Set	TRK/SUV	X945-4067-S
8	67-72	Chevy/GMC	License Plate Lamp Assembly	TRK/SUV	X946-4067
9	67-72	Chevy/GMC	License Plate Hardware Kit - 4pcs	TRK/SUV	X102-3067-S
10	67-72	Chevy/GMC	Gravel Deflector - LH	TRK/SUV	975-4067-L
11	67-72	Chevy/GMC	Gravel Deflector - RH	TRK/SUV	975-4067-R

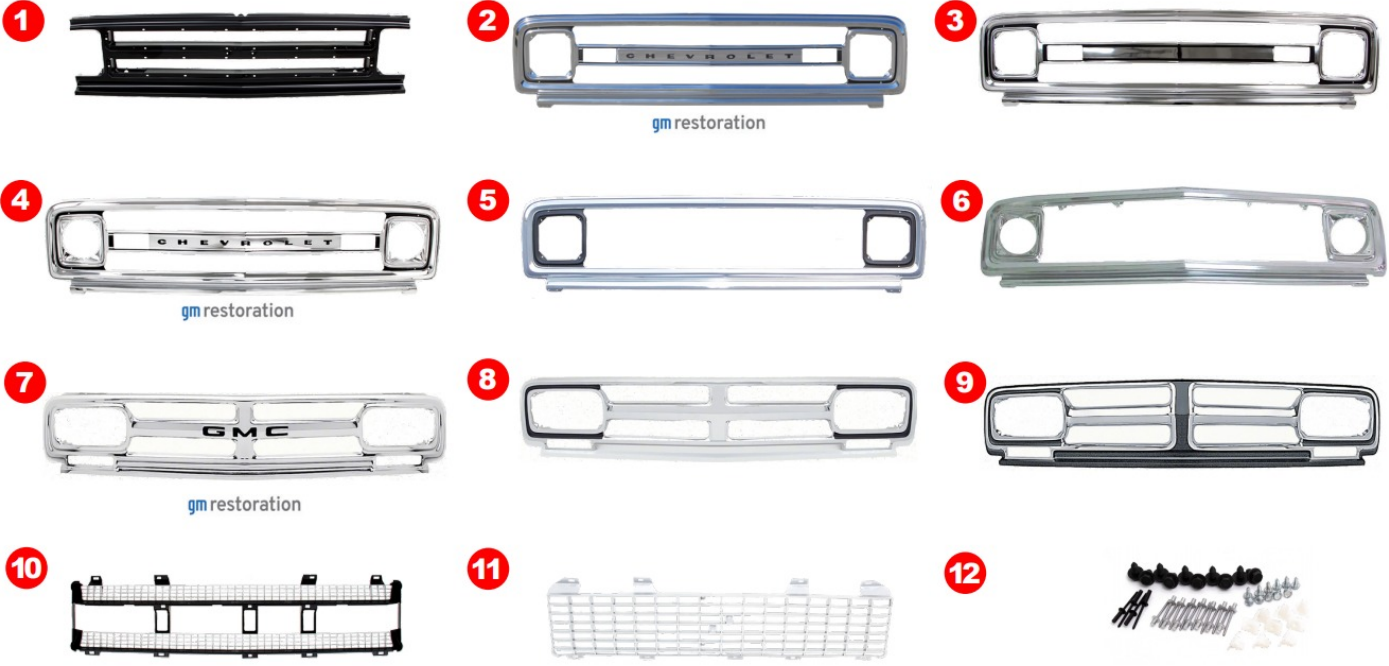


## SPARE TIRE

#	YEAR	MAKE	DESCRIPTION	MODEL	PART #
12	67-72	Chevy/GMC	Mounting Cross Strap - spare under bed	TRK	X817-4067-I
13	67-72	Chevy/GMC	Spare Tire Mounting Front Bracket	TRK	X817-4067-L
	67-72	Chevy/GMC	Spare Tire Mounting Rear Bracket	TRK	X817-4067-R



## GRILLES



VISIT US ONLINE FOR THE MOST UP-TO-DATE PRICING AND SELECTION

#	YEAR	MAKE	DESCRIPTION	MODEL	PART #
1	67-68	Chevy	Shell - Paintable	TRK/SUV	160-4067-I
2	69-70	Chevy	Shell - "CHEVROLET" - Anodized Aluminum	TRK/SUV	160-4069
3	69-70	Chevy	Grille Shell - Smooth - Anodized Aluminum	TRK/SUV	160-4069-I
4	69-70	Chevy	Grille Shell - "CHEVROLET" - Chrome Steel	TRK/SUV	160-4069-CS
5	71-72	Chevy	Grille Shell - Anodized Aluminum	TRK/SUV	160-4071-I
6	71-72	Chevy	Grille Shell - Chrome Steel	TRK/SUV	160-4071-IC
7	67	GMC	Grille Shell - "GMC" - Chrome	TRK/SUV	K-CX1644
8	68-70	GMC	Grille Shell - Chrome	TRK/SUV	K-CX1597
9	71-72	GMC	Grille - Chrome	TRK/SUV	K-CX1558
10	67-70	Chevy	Grille Insert - Silver	TRK/SUV	150-4069
11	67-72	Chevy	Grille Insert - Silver	TRK/SUV	150-4071
12	71-72	Chevy	Grille Mounting Kit	TRK/SUV	X153-4069-S

## ANTENNA



#	YEAR	MAKE	DESCRIPTION	MODEL	PART #
1	67-70	Chevy/GMC	Antenna Mast - AM/FM	TRK/SUV	K-3943654
2	69-72	Chevy/GMC	Antenna Bezel Gasket	TRK/SUV	K-3820672
3	67-72	Chevy/GMC	Antenna Bezel Nut - Chrome	TRK/SUV	K-3863499
4	69-72	Chevy/GMC	Antenna Bezel Nut - Chrome - For Reproduction Antenna Base	TRK/SUV	K-3863499B

## HEADLIGHT



#	YEAR	MAKE	DESCRIPTION	MODEL	PART #
1	69-72	Chevy	Headlamp Bezels - Pair	TRK/SUV	145-4069-P
	69-72	Chevy	Headlamp Bezel - LH	TRK/SUV	145-4069-L
	69-72	Chevy	Headlamp Bezel - RH	TRK/SUV	145-4069-R
2	67-72	GMC	Headlamp Bezels - Chrome - Pair	TRK/SUV	145-4969-S
3	69-72	Chevy/GMC	Headlamp Bucket - RH	TRK/SUV	W-988
	69-72	Chevy/GMC	Headlamp Bucket - LH	TRK/SUV	W-989
4	67-72	GMC	Headlamp Retaining Ring	TRK/SUV	X146-3467
5	69-72	Chevy/GMC	Headlight Adjuster Kit - 10pcs	TRK/SUV	X142-4062-S
	67-68	Chevy	Headlamp Spring	TRK/SUV	W-785
	69-72	Chevy	Headlamp Spring	TRK/SUV	W-785E

## GRILL SUPPORT & MOLDING



#	YEAR	MAKE	DESCRIPTION	MODEL	PART #
6	67-68	Chevy	Grille Support - Center	TRK/SUV	152-4067
7	69-70	Chevy	Grille Support - Center	TRK/SUV	152-4069
8	71-72	Chevy	Grille Support - Center	TRK/SUV	152-4071
9	69-72	Chevy	Grille Support - LH	TRK/SUV	152-4069-L
	69-72	Chevy	Grille Support - RH	TRK/SUV	152-4069-R
10	67-68	GMC	Grille Support - Center	TRK/SUV	152-4967
11	69-72	GMC	Grille Support - Center	TRK/SUV	152-4969
12	67-68	Chevy	Grille Molding - Upper or Lower - Anodized Aluminum	TRK/SUV	X155-4067
13	69-72	GMC	Upper Grille Molding - Chrome	TRK/SUV	155-4969
14	68	GMC	Front Hood Molding	TRK/SUV	X330-4068
15	67-68	Chevy	Grille Molding Clip Set - For One Molding	TRK/SUV	X155-4067-S
16	69-72	GMC	Outer Side Grille Molding - On Fender - LH	TRK	155-4969-L
	69-72	GMC	Outer Side Grille Molding - On Fender - RH	TRK	155-4969-R



VISIT US ONLINE FOR THE MOST UP-TO-DATE PRICING AND SELECTION



## FRONT FENDERS



1



2



3



4

5



6



VISIT US ONLINE FOR THE MOST UP-TO-DATE PRICING AND SELECTION

#	YEAR	MAKE	DESCRIPTION	MODEL	PART #
1	67	Chevy/GMC	Front Fender - LH	TRK/SUV	200-4067-L
	67	Chevy/GMC	Front Fender - RH	TRK/SUV	200-4067-R
2	68	Chevy	Front Fender - LH	TRK/SUV	200-4068-L
	68-72	GMC	Front Fender - LH	TRK	200-4068-L
	68	Chevy	Front Fender - RH	TRK/SUV	200-4068-R
	68-72	GMC	Front Fender - RH	TRK	200-4068-R
3	69-72	Chevy	Front Fender - LH	TRK/SUV	200-4069-L
	69-72	Chevy	Front Fender - RH	TRK/SUV	200-4069-R
4	67-72	Chevy/GMC	Front Fender Lower Front Repair Panel - RH	TRK	204-4067-R
5	67-72	Chevy/GMC	Front Fender Lower Rear Repair Panel - LH	TRK	205-4067-L
	67-72	Chevy/GMC	Front Fender Lower Rear Repair Panel - RH	TRK	205-4067-R
6	67-72	Chevy/GMC	Hood Bumper Kit	TRK/SUV	K-K918

## INNER FENDERS



1



VISIT US ONLINE FOR THE MOST UP-TO-DATE PRICING AND SELECTION



#	YEAR	MAKE	DESCRIPTION	MODEL	PART #
1	67-72	Chevy/GMC	Inner Fender - LH	TRK/SUV	250-4067-L
	67-72	Chevy/GMC	Inner Fender - RH	TRK/SUV	250-4067-R





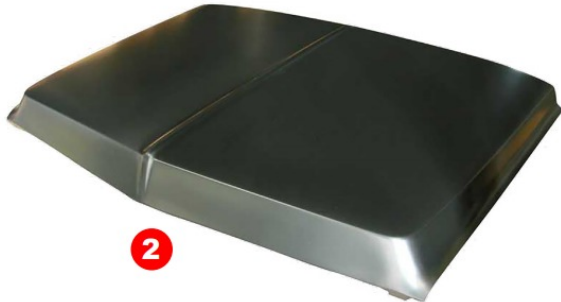
## HOODS



1



3



2



4



5



#	YEAR	MAKE	DESCRIPTION	MODEL	PART #
1	67-68	Chevy/GMC	Hood - OE Style	TRK/SUV	300-4067
2	67-68	Chevy/GMC	Hood - 2" Raised Cowl	TRK/SUV	300-4067-2
3	69-72	Chevy/GMC	Hood - OE Style	TRK/SUV	300-4069
4	69-72	Chevy/GMC	Hood - 2" Raised Cowl	TRK	300-4069-2
5	67-72	Chevy/GMC	Hood Bumper Kit	TRK/SUV	K-K918

## HOOD LATCH



6



7



8



9



10

#	YEAR	MAKE	DESCRIPTION	MODEL	PART #
1	67-68	Chevy	Hood Latch Assembly	TRK/SUV	X303-4067
2	69-70	Chevy	Hood Latch Assembly	TRK/SUV	X303-4069
3	71-72	Chevy	Hood Latch Assembly	TRK/SUV	X303-4071
4	67-72	Chevy/GMC	Hood Latch Support	TRK/SUV	303-4067-3
5	67-72	Chevy/GMC	Hood Adjustment Bumper Set	TRK/SUV	X305-4067-S

## HOOD HINGES



11



12



13

#	YEAR	MAKE	DESCRIPTION	MODEL	PART #
1	67-72	Chevy/GMC	Chrome - w/ SS Spring	TRK/SUV	310-4067-C
2	67-72	Chevy/GMC	w/o Spring - LH	TRK/SUV	310-4067-1L
3	67-72	Chevy/GMC	w/o Spring - RH	TRK/SUV	310-4067-1R
4	67-72	Chevy/GMC	Springs - Pair	TRK/SUV	311-4067-P



WARNING: Cancer and Reproductive Harm - www.P65Warnings.ca.gov



## BATTERY TRAY & CLAMPS



VISIT US ONLINE FOR THE MOST UP-TO-DATE PRICING AND SELECTION

#	YEAR	MAKE	DESCRIPTION	MODEL	PART #
1	67-72	Chevy/GMC	Battery Tray Assembly - w/ AC	TRK/SUV	340-4067-AS
2	67-72	Chevy/GMC	Battery Tray Assembly - w/o AC	TRK/SUV	340-4067-S
3	67-72	Chevy/GMC	Battery Tray	TRK/SUV	340-4067
4	67-72	Chevy/GMC	Battery Clamp	TRK/SUV	341-3466
5	67-72	Chevy/GMC	Battery Clamp Bolt	TRK/SUV	341-3466-1
6	67-72	Chevy/GMC	Battery Junction Block	TRK/SUV	W-215
7	67-72	Chevy/GMC	A/C Hose Clamp - w/ Bolt	TRK/SUV	X341-4067-3
8	67-72	Chevy/GMC	A/C Hose Clamp - w/ Bolt - SS	TRK/SUV	X341-4067-3SS

## RADIATOR SUPPORT



#	YEAR	MAKE	DESCRIPTION	MODEL	PART #
1	67-68	Chevy	Radiator Support	TRK/SUV	350-4067
2	69-72	Chevy	Radiator Support	TRK/SUV	350-4069
3	67-72	Chevy/GMC	Radiator Retainer Set - 4-Row HD Cooling Radiators	TRK/SUV	349-4067
4	67-68	Chevy/GMC	Radiator Support Mount Cushion Set - 4pcs	TRK/SUV	X347-4055-1S
5	67-68	Chevy/GMC	Radiator Support Mount Assembly Kit - 2 Mounts	TRK/SUV	X347-4060-1S
6	69-72	Chevy/GMC	Radiator Support Mount Assembly Kit - 2 Mounts	TRK/SUV	X347-4069-1S



## COWL



#	YEAR	MAKE	DESCRIPTION	MODEL	PART #
1	67-72	Chevy/GMC	Cowl Vent Panel	TRK	371-4067
2	67-72	Chevy/GMC	Hood To Cowl Seal	TRK	X363-4067
3	67-72	Chevy/GMC	Inner Cowl Panel	TRK/SUV	X360-4067-2

## FIREWALL



VISIT US ONLINE FOR THE MOST UP-TO-DATE PRICING AND SELECTION

#	YEAR	MAKE	DESCRIPTION	MODEL	PART #
4	67-72	Chevy/GMC	Brake Booster Reinforcement Panel	TRK/SUV	466-4067-1
5	67-68	Chevy/GMC	Firewall w/Hand Parking Brake	TRK/SUV	370-4067-4
6	69-72	Chevy/GMC	Firewall w/Foot Parking Brake	TRK/SUV	370-4067-3

## ROOF



#	YEAR	MAKE	DESCRIPTION	MODEL	PART #
1	67-72	Chevy/GMC	Roof Skin	TRK/SUV	X600-4067
2	67-71	Chevy/GMC	Inner Front Roof Panel	TRK/SUV	610-4067-1
3	67-72	Chevy/GMC	Roof Drip Rail - LH	TRK/SUV	620-4067-L
	67-72	Chevy/GMC	Roof Drip Rail - RH	TRK/SUV	620-4067-R



WARNING: Cancer and Reproductive Harm - www.P65Warnings.ca.gov



## FLOOR PAN



TOP



BOTTOM



VISIT US ONLINE FOR THE MOST UP-TO-DATE PRICING AND SELECTION

#	YEAR	MAKE	DESCRIPTION	MODEL	PART #
1	67-72	Chevy/GMC	Floor Pan Assembly - w/ Column Shift - 2WD	TRK	400-4067
2	67-72	Chevy/GMC	Front Cab Floor Half - LH	TRK/SUV	405-4067-1L
	67-72	Chevy/GMC	Front Cab Floor Half - RH	TRK/SUV	405-4067-1R
3	67-72	Chevy/GMC	Outer Cab Floor Extension - LH	TRK	406-4067-1L
	67-72	Chevy/GMC	Outer Cab Floor Extension - RH	TRK	406-4067-1R
4	67-72	Chevy/GMC	Rear Cab Floor Repair Patch - LH	TRK	410-4067-1L
	67-72	Chevy/GMC	Rear Cab Floor Repair Patch - RH	TRK	410-4067-1R
5	67-72	Chevy/GMC	Rear Outer Cab Floor Extension - LH	TRK	410-4067-L
	67-72	Chevy/GMC	Rear Outer Cab Floor Extension - RH	TRK	410-4067-R
6	67-72	Chevy/GMC	Footwell (Kick Panel) - LH	TRK/SUV	402-4067-L
	67-72	Chevy/GMC	Footwell (Kick Panel) - RH	TRK/SUV	402-4067-R
7	67-72	Chevy/GMC	Outer Rocker Panel - LH	TRK/SUV	450-4067-L
	67-72	Chevy/GMC	Outer Rocker Panel - RH	TRK/SUV	450-4067-R
8	67-72	Chevy/GMC	Outer Rocker Panel - 3rd Door - RH	SUBURBAN	450-4267-R
	67-72	Chevy/GMC	Lower Rear Door Pillar - LH	TRK	751-4067-1L
9	67-72	Chevy/GMC	Lower Rear Door Pillar - RH	TRK	751-4067-1R
	67-72	Chevy/GMC	Outer Cab Corner - LH	TRK	480-4067-L
10	67-72	Chevy/GMC	Outer Cab Corner - RH	TRK	480-4067-R
	67-72	Chevy/GMC	Lower Front Door Hinge Pillar Repair Panel - LH	TRK/SUV	376-4067-L
11	67-72	Chevy/GMC	Lower Front Door Hinge Pillar Repair Panel - RH	TRK/SUV	376-4067-R
	67-72	Chevy/GMC	Transmission Cover - High Hump	TRK/SUV	415-4067



## FLOOR SUPPORTS



VISIT US ONLINE FOR THE MOST UP-TO-DATE PRICING AND SELECTION



#	YEAR	MAKE	DESCRIPTION	MODEL	PART #
1	67-72	Chevy/GMC	Front Cab Floor Support - OE Style - LH or RH	TRK	425-4067-1
2	67-72	Chevy/GMC	Inner Cab Floor Support - OE Style - LH	TRK	425-4067-L
3	67-72	Chevy/GMC	Inner Cab Floor Support - OE Style - RH	TRK	425-4067-R
4	67-72	Chevy/GMC	Rear Cab Floor Crossmember	TRK	425-4067
5	67-72	Chevy/GMC	Rear Cab Floor Support - OE Style - LH	TRK	425-4060-1L
	67-72	Chevy/GMC	Rear Cab Floor Support - OE Style - RH	TRK	425-4060-1R
	67-72	Chevy/GMC	Rear Cab Floor Support - Slip-on Style - LH	TRK	425-4060-2L
	67-72	Chevy/GMC	Rear Cab Floor Support - Slip-on Style - RH	TRK	425-4060-2R
6	67-72	Chevy/GMC	Cab to Frame Mount Kit - 34 pcs - 2WD	TRK	X427-4067-1S



#	YEAR	MAKE	DESCRIPTION	MODEL	PART #
7	67-72	Chevy/GMC	Rocker Box End Cap - LH	SUV	451-4369-1L
	67-72	Chevy/GMC	Rocker Box End Cap - RH	SUV	451-4369-1R
8	67-72	Chevy/GMC	Rocker Box - LH	SUV	451-4369-L
	67-72	Chevy/GMC	Rocker Box - RH	SUV	451-4369-R

## DOOR SILL PLATES



#	YEAR	MAKE	DESCRIPTION	MODEL	PART #
9	67-72	Chevy/GMC	Chrome Plain - Pair	TRK/SUV	445-4067-P
	67-72	Chevy/GMC	Chrome Plain - LH or RH	TRK/SUV	445-4067
10	67-72	Chevy/GMC	Chrome w/ Bowtie - Pair	TRK/SUV	445-4067-1CP
	67-72	Chevy/GMC	Chrome w/ Bowtie - LH or RH	TRK/SUV	445-4067-1C
11	67-72	Chevy/GMC	Stainless w/ Bowtie - Pair	TRK/SUV	445-4067-1SSP
	67-72	Chevy/GMC	Stainless w/ Bowtie - LH or RH	TRK/SUV	445-4067-1SS
12	67-72	Chevy/GMC	Stainless Plain - Pair	TRK/SUV	445-4067-SSP
	67-72	Chevy/GMC	Stainless Plain - LH or RH	TRK/SUV	445-4067-SS



WARNING: Cancer and Reproductive Harm - www.P65Warnings.ca.gov



## DOORS



#	YEAR	MAKE	DESCRIPTION	MODEL	PART #
1	67-71	Chevy/GMC	Front Door Shell - LH	TRK	500-4067-L
	67-71	Chevy/GMC	Front Door Shell - RH	TRK	500-4067-R
	72	Chevy/GMC	Front Door Shell - LH	TRK	500-4072-L
2	67-71	Chevy/GMC	Front Door Shell - Front - LH	SUBURBAN	500-4267-L
	67-71	Chevy/GMC	Front Door Shell - Front - RH	SUBURBAN	500-4267-R
3	72	Chevy/GMC	Front Door Shell - Front - LH	SUBURBAN	500-4272-L
	72	Chevy/GMC	Front Door Shell - Front - RH	SUBURBAN	500-4272-R
4	69-71	Chevy/GMC	Front Door Shell - LH	SUV	500-4367-L
	69-71	Chevy/GMC	Front Door Shell - RH	SUV	500-4367-R
5	72	Chevy/GMC	Front Door Shell - LH	SUV	500-4372-L
	72	Chevy/GMC	Front Door Shell - RH	SUV	500-4372-R
6	67-72	Chevy/GMC	Complete Front Door Skin - LH	TRK/SUV	510-4067-L
	67-72	Chevy/GMC	Complete Front Door Skin - RH	TRK/SUV	510-4067-R
7	67-72	Chevy/GMC	Partial Front Door Skin - LH - 20.5" H	TRK/SUV	510-4067-1L
	67-72	Chevy/GMC	Partial Front Door Skin - RH - 20.5" H	SUBURBAN	510-4067-1R
8	67-72	Chevy/GMC	Front Door Skin - Outer - Lower - LH - 13" H	TRK	516-4067-L
	67-72	Chevy/GMC	Front Door Skin - Outer - Lower - RH - 13" H	TRK	516-4067-R
9	67-72	Chevy/GMC	Inner Front Door Bottom Repair Panel - LH	TRK	515-4067-L
	67-72	Chevy/GMC	Inner Front Door Bottom Repair Panel - RH	TRK	515-4067-R
10	67-71	Chevy/GMC	Front Door Panel - Steel - Pair	TRK/SUV	X542-4067-P
11	67-71	Chevy/GMC	Front Door Panel Trim / Retainer Set - Chrome	TRK/SUV	542-4067
12	67-71	Chevy/GMC	Interior Front Door Panel Trim - Black - Pair	SUBURBAN	542-4267-B
13	67-71	Chevy/GMC	Interior Front Door Panel Trim - Chrome - Pair	SUBURBAN	542-4267-C
14	72	Chevy/GMC	Front Door Reinforcement Kit	TRK/SUV	501-4072-S



VISIT US ONLINE FOR THE MOST UP-TO-DATE PRICING AND SELECTION



## DOORS



1



2



3



4



#	YEAR	MAKE	DESCRIPTION	MODEL	PART #
1	67-72	Chevy/GMC	Upper Front Door Hinge - LH	TRK/SUV	520-4067-L
	67-72	Chevy/GMC	Upper Front Door Hinge - RH	TRK/SUV	520-4067-R
2	67-72	Chevy/GMC	Lower Front Door Hinge - LH	TRK/SUV	525-4067-L
	67-72	Chevy/GMC	Lower Front Door Hinge - RH	TRK/SUV	525-4067-R
3	67-72	Chevy/GMC	Upper & Lower Door Hinge Bolt Kit - 24pcs	TRK/SUV	X521-4067-S
4	67-72	Chevy/GMC	Door Hinge Pin Kit	TRK/SUV	521-4067-S



5



6



7



8

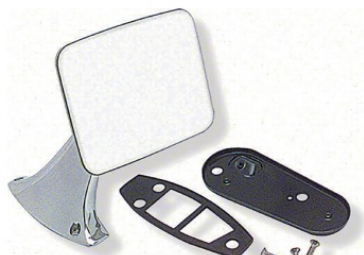


9

#	YEAR	MAKE	DESCRIPTION	MODEL	PART #
5	67-72	Chevy/GMC	Outside Door Handle Set - Pair	TRK	X530-4067
6	67-72	Chevy/GMC	Front Door Latch - LH	TRK	X535-4067-L
	67-72	Chevy/GMC	Front Door Latch - RH	TRK	X535-4067-R
7	67-71	Chevy/GMC	Door Latch Relay - LH	TRK/SUV	X540-4067-L
	67-71	Chevy/GMC	Door Latch Relay - RH	TRK	X540-4067-R
8	72	Chevy/GMC	Door Latch Relay - LH	TRK/SUV	X540-4072-L
	72	Chevy/GMC	Door Latch Relay - RH	TRK/SUV	X540-4072-R
9	67-72	Chevy/GMC	Door Lock Set - w/ Round Keys	TRK/SUV	X537-4067-1S
10	67-72	Chevy/GMC	Door Lock Set - w/ Square Keys	TRK/SUV	X537-4067-2S



10



11



12



13



14



15



16



#	YEAR	MAKE	DESCRIPTION	MODEL	PART #
11	70-72	Chevy/GMC	Mirror - Assembly with Hardware - LH	TRK/SUV	K-CX1149
	70-72	Chevy/GMC	Mirror - Assembly with Hardware - RH	TRK/SUV	K-CX1150
12	67-70	Chevy/GMC	Mirror Head - 5.5\" x 7.5\" Rectangular - Paintable	TRK/SUV	X570-4054-1
13	67-70	Chevy/GMC	Mirror Head - 5.5\" x 7.5\" Rectangular - Stainless Steel	TRK/SUV	X570-4054-1S
14	67-70	Chevy/GMC	Mirror Arm - Paintable - RH	TRK/SUV	X570-4067-2R
15	67-70	Chevy/GMC	Mirror Arm to Door Gasket - LH or RH	TRK/SUV	X570-4067-3
16	67-70	Chevy/GMC	Mirror Arm Screw Set - 3 pcs	TRK/SUV	X570-4055-4S



WARNING: Cancer and Reproductive Harm - www.P65Warnings.ca.gov



## HARDWARE KITS



Image is for reference only. Actual part(s) will vary depending on application.

Master body hardware kits are a great turn-key solution when restoring your Chevy GMC C/K Pickup.

#	YEAR	MAKE	DESCRIPTION	MODEL	PART #
1	67-68	Chevy	Master Body Hardware Kit - 508pcs	FLEETSIDE	H-67KB-F
	69-70	Chevy	Master Body Hardware Kit - 515pcs	FLEETSIDE	H-69KB-F
	71-72	Chevy	Master Body Hardware Kit - 467pcs	FLEETSIDE	H-71KB-F
	67-68	GMC	Master Body Hardware Kit - 494pcs	FLEETSIDE	H-67GB-F
	69-70	GMC	Master Body Hardware Kit - 473pcs	FLEETSIDE	H-69GB-F
	71-72	GMC	Master Body Hardware Kit - 469pcs	FLEETSIDE	H-71GB-F

## GAS TANK



VISIT US ONLINE FOR THE MOST UP-TO-DATE PRICING AND SELECTION

#	YEAR	MAKE	DESCRIPTION	MODEL	PART #
2	67-70	Chevy/GMC	In-Cab 20gal - w/o Evaporative Emission Control (EEC)	TRK	890-4067-N
	70-72	Chevy/GMC	In-Cab 20gal - w/ Evaporative Emission Control (EEC)	TRK	890-4070-N
3	67-72	Chevy/GMC	Sending Unit Lock Ring - 1 15/16"	TRK	K-3774937
4	67-70	Chevy/GMC	Neck Grommet	TRK	K-3886792
	71-72	Chevy/GMC	Neck Grommet	TRK	X891-4071
5	67-72	Chevy/GMC	Cap - Stainless Steel - w/ EEC	TRK	X888-4038-1
6	67-71	Chevy/GMC	Sending Unit - 3/8" Outlet w/o Vent Line	TRK	881-4067-3
7	67-71	Chevy/GMC	Sending Unit - 5/16" Outlet w/o Vent Line	TRK	881-4067-5
8	72	Chevy/GMC	Sending Unit - 3/8" Outlet w/o Vent Line	TRK	881-4072-31
9	72	Chevy/GMC	Sending Unit - 3/8" Outlet w/ Vent Line	TRK	881-4072-32



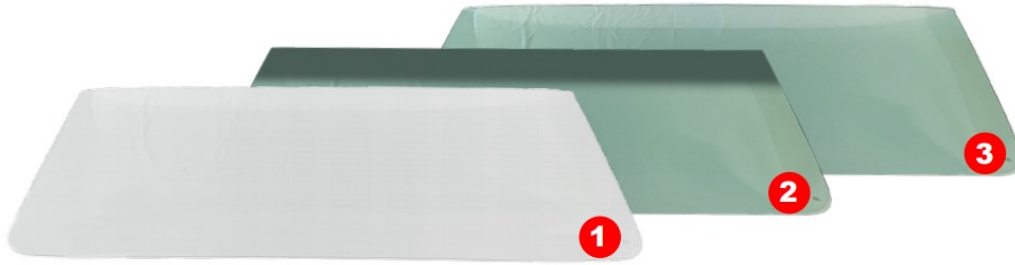
Relocating your gas tank? This patch is made to cover the gas filler hole in the cab. We have the correct gauge metal with the right fit to make the job that much easier!

#	YEAR	MAKE	DESCRIPTION	MODEL	PART #
10	67-72	Chevy/GMC	Gas Filler Hole Eliminator patch	TRK	724-4067-1





## GLASS



VISIT US ONLINE FOR THE MOST UP-TO-DATE PRICING AND SELECTION



#	YEAR	MAKE	DESCRIPTION	MODEL	PART #
1	67-72	Chevy/GMC	Windshield - Clear	TRK/SUV	380-4067-C
2	67-72	Chevy/GMC	Windshield - w/ Tint Band - Green Tint	TRK/SUV	380-4067-T
3	67-72	Chevy/GMC	Windshield - w/o Tint Band - Green Tint	TRK/SUV	380-4067-TN
4	67-72	Chevy/GMC	Windshield Gasket - w/o Trim Groove	TRK/SUV	G-WBL685
	67-70	Chevy/GMC	Windshield Gasket - w/ Trim Groove - Deep Centered Trim	TRK/SUV	G-WCR685
	71-72	Chevy/GMC	Windshield Gasket - w/ Trim Groove - Shallow Offset Trim	TRK/SUV	G-WCR685A
5	67-70	Chevy/GMC	Windshield Reveal Molding Set - 6 pcs Polished	TRK/SUV	X385-4067-S



VISIT US ONLINE FOR THE MOST UP-TO-DATE PRICING AND SELECTION

#	YEAR	MAKE	DESCRIPTION	MODEL	PART #
1	67-72	Chevy/GMC	Small Back Glass - Clear	TRK	660-4067-C
2	67-72	Chevy/GMC	Small Back Glass - Green Tint	TRK	660-4067-T
3	67-72	Chevy/GMC	Large Back Glass - Clear	TRK	660-4068-C
4	67-72	Chevy/GMC	Large Back Glass - Green Tint	TRK	660-4068-T
5	67-72	Chevy/GMC	Small Back Glass Gasket - w/o Trim Groove	TRK	G-WBL1091T
	67-72	Chevy/GMC	Large Back Glass Gasket - w/o Trim Groove	TRK	G-WBLD1092T
	67-72	Chevy/GMC	Large Back Glass Gasket - w/ Trim Groove	TRK	G-WCR1092T
6	67-72	Chevy/GMC	Side Stationary Glass Seal - LH or RH	SUBURBAN	X580-4267-S
7	67-72	Chevy/GMC	Large Back Glass Reveal Molding Set - 6 pcs Polished	TRK	X670-4067-S
8	67-72	Chevy/GMC	Glass Seal Rope-In Tool	TRK/SUV	TOOL-1
9	67-72	Chevy/GMC	Ball End Hook Tool	TRK/SUV	TOOL-2
10	67-72	Chevy/GMC	Weatherstrip Stick	TRK/SUV	TOOL-3



WARNING: Cancer and Reproductive Harm - www.P65Warnings.ca.gov



## VENT WINDOW



VISIT US ONLINE FOR THE MOST UP-TO-DATE PRICING AND SELECTION

#	YEAR	MAKE	DESCRIPTION	MODEL	PART #
1	68-72	Chevy/GMC	Vent Window Assembly - Clear - LH	TRK/SUV	K-CX1549C
	68-72	Chevy/GMC	Vent Window Assembly - Green Tint - LH	TRK/SUV	K-CX1549T
	68-72	Chevy/GMC	Vent Window Assembly - Clear - RH	TRK/SUV	K-CX1550C
	68-72	Chevy/GMC	Vent Window Assembly - Green Tint - RH	TRK/SUV	K-CX1550T
2	67	Chevy/GMC	Vent Glass - Clear - LH or RH	TRK	560-4067-C
			Vent Glass - Green Tint - LH or RH	TRK	560-4067-T
3	68-72	Chevy/GMC	Vent Glass - Clear - LH or RH	TRK/SUV	560-4068-C
			Vent Glass - Green Tint - LH or RH	TRK/SUV	560-4068-T
4	67-72	Chevy/GMC	Vent Window Weatherstrip Set - 4pcs	TRK/SUV	X563-4067-S
5	67-72	Chevy/GMC	Vent Window Seal - LH	TRK/SUV	U-G4901
			Vent Window Seal - RH	TRK/SUV	U-G4900
6	67-72	Chevy/GMC	Vent Window Vertical Rear Seal - LH or RH	TRK/SUV	U-G4913
7	67	Chevy/GMC	Vent Window Handle - LH	TRK/SUV	X561-4060-L
			Vent Window Handle - RH	TRK/SUV	X561-4060-R
8	68-72	Chevy/GMC	Vent Window Handle Kit - LH	TRK/SUV	X561-4068-L
			Vent Window Handle Kit - RH	TRK/SUV	X561-4068-R
9	72	Chevy/GMC	Front Door Reinforcement Kit	TRK/SUV	501-4072-S
10	68-72	Chevy/GMC	Vent Window Pivot Stud Nut - Chrome	TRK/SUV	W-742

## WEATHERSTRIP KITS



Kits Include:

- Windshield Gasket
- Vent Window Seals
- Door Glass Runs
- Division Post Seals
- Beltline Window Felts
- Door Seals (On Cab)
- Back Glass Seal

#	YEAR	MAKE	DESCRIPTION	MODEL	PART #
1	67-70	Chevy/GMC	w/ Trim Groove	TRK	G-CWK111267
2	67-72	Chevy/GMC	w/o Reveal Trim Groove	TRK	G-CWK111367

## DOOR GLASS



VISIT US ONLINE FOR THE MOST UP-TO-DATE PRICING AND SELECTION

#	YEAR	MAKE	DESCRIPTION	MODEL	PART #
1	67-72	Chevy/GMC	Door Glass - Front - Clear - LH or RH	TRK/SUV	550-4067-C
2	67-72	Chevy/GMC	Door Glass - Front - Green Tint - LH or RH	TRK/SUV	550-4067-T
3	67-72	Chevy/GMC	Door Seal On Cab - w/o Molded Corner - LH or RH	TRK/SUV	U-G3003
4	67-72	Chevy/GMC	Door Seal On Cab - w/ Molded Corner - LH	TRK/SUV	U-G3004
5	67-72	Chevy/GMC	Door Seals On Cab - w/ Molded Corner - Pair	TRK/SUV	U-KG3005
6	67-72	Chevy/GMC	Door Glass Seals Set - Front Doors	TRK	X582-4067-43S
7	67-72	Chevy/GMC	Window Channel Run Seal & Division Bar Set - 2pcs	TRK/SUV	U-KG1006
8	67-72	Chevy/GMC	Window Channel Run Seal - LH or RH	TRK/SUV	U-G1006
9	69-72	Chevy/GMC	Window Channel Run Seal - LH or RH	TRK/SUV	X552-4369-1
10	67-72	Chevy/GMC	Beltline Window Felt Seals - Front Doors - 4pcs w/ Black Bead	TRK/SUV	582-4067-1S
11	67-72	Chevy/GMC	Beltline Window Felt Seals - Front Doors - 4pcs w/ Chrome Bead	TRK/SUV	U-KG2079
	67-72	Chevy/GMC	Beltline Window Felt Seals - Rear Doors - 4pcs w/ Black Bead	SUBURBAN	U-KG2049
12	67-71	Chevy/GMC	Front Door Window Regulator - LH	TRK/SUV	X545-4067-L
	67-71	Chevy/GMC	Front Door Window Regulator - RH	TRK/SUV	X545-4067-R
13	72	Chevy/GMC	Front Door Window Regulator - LH	TRK/SUV	X545-4072-L
	72	Chevy/GMC	Front Door Window Regulator - RH	TRK/SUV	X545-4072-R
14	72	Chevy/GMC	Window Regulator Roller & Rivet Assembly - LH or RH	TRK/SUV	X547-3567
15	67-72	Chevy/GMC	Window Crank Handle - Black Knob	TRK/SUV	W-407
16	69-72	Chevy/GMC	Window Crank Handle - Clear Knob	TRK/SUV	X546-4067
17	67-71	Chevy/GMC	Window Crank Escutcheon - Black	TRK/SUV	X546-4067-BK
18	69-72	Chevy/GMC	Window Crank Handle Washer Set - 4pcs	TRK/SUV	R-750
19	67-72	Chevy/GMC	Window & Door Handle Removal Tool	TRK/SUV	W-312



## ACCELERATOR & BRAKE



1



2



3



4



5



6



7



8



9



10



11



12



13



14



VISIT US ONLINE FOR THE MOST UP-TO-DATE PRICING AND SELECTION

#	YEAR	MAKE	DESCRIPTION	MODEL	PART #
1	67-70	Chevy/GMC	Accelerator Pedal	TRK/SUV	X409-3965
2	67-70	Chevy/GMC	Accelerator Pedal Trim - Stainless	TRK/SUV	X409-3965-T
3	67-70	Chevy/GMC	Accelerator Pedal	TRK/SUV	X409-4067
4	71-72	Chevy/GMC	Accelerator Pedal Pad	TRK/SUV	W-143
5	71-72	Chevy/GMC	Accelerator Pedal Pad Trim	TRK/SUV	W-132
6	67-72	Chevy/GMC	Brake Clutch Pedal Pad - w/o bright trim	TRK/SUV	X476-4060
7	67-72	Chevy/GMC	Brake Clutch Pedal Pad - w/ bright trim	TRK/SUV	X476-4067
8	67-72	Chevy/GMC	Brake Clutch Pedal Pad Trim - Stainless	TRK/SUV	X476-4067-T
9	71-72	Chevy/GMC	Brake Clutch Pedal Pad Trim - Stainless	TRK/SUV	T-9660
10	69-72	Chevy/GMC	Park Brake Pedal - w/o bright trim	TRK/SUV	X476-4069
11	69-72	Chevy/GMC	Park Brake Pedal - w/ bright trim	TRK/SUV	X476-4069-I
12	69-72	Chevy/GMC	Park Brake Pedal Trim - Stainless	TRK/SUV	X476-4069-IT
13	67-68	Chevy/GMC	Park Brake Cover	TRK	469-4067
14	69-72	Chevy/GMC	Parking Brake Release Handle - Chrome	TRK/SUV	441-4066



## DASH BEZELS



1



2



3



4



VISIT US ONLINE FOR THE MOST UP-TO-DATE PRICING AND SELECTION



#	YEAR	MAKE	DESCRIPTION	MODEL	PART #
1	67-72	Chevy/GMC	Dash Bezel - w/o Gauges - Black / Chrome	TRK/SUV	460-4069-3
2	67-72	Chevy/GMC	Dash Bezel - w/ Gauges - Black / Chrome	TRK/SUV	460-4069-B
3	67-72	Chevy/GMC	Instrument Lens - w/ Gauges, w/o Tach	TRK/SUV	460-4067-31
4	67-72	Chevy/GMC	Instrument Lens - w/ Gauges, w/ Tach	TRK/SUV	460-4067-32

## SWITCHES



5



6



7



8



9



10



11



12



13



14



15



16



17



VISIT US ONLINE FOR THE MOST UP-TO-DATE PRICING AND SELECTION

#	YEAR	MAKE	DESCRIPTION	MODEL	PART #
5	67-72	Chevy/GMC	Headlamp Switch	TRK/SUV	X460-4064-11
6	67-72	Chevy/GMC	Headlamp Switch Inner Retainer Nut	TRK/SUV	X460-4067-11
7	67-72	Chevy/GMC	Headlamp Switch Bezel Nut	TRK/SUV	X460-4067-12
8	67	Chevy/GMC	Headlight Switch Knob & Shaft	TRK/SUV	460-4067-2
9	67-72	Chevy/GMC	Headlight Switch Pull Rod & Knob - Black/Stainless	TRK/SUV	X460-4068-13
10	68-72	Chevy/GMC	Wiper Switch	TRK/SUV	X460-4068-21
11	68-72	Chevy/GMC	Wiper Switch - Black/Stainless	TRK/SUV	X460-4068-23
12	67-72	Chevy/GMC	Ignition Switch	TRK/SUV	X462-4067-1
13	67	Chevy/GMC	Ignition Switch Spacer	TRK/SUV	X462-4067-3
14	68-72	Chevy/GMC	Ignition Switch Spacer	TRK/SUV	X462-4068-3
15	68-72	Chevy/GMC	Ignition Switch Bezel	TRK/SUV	460-4067-1
16	67-72	Chevy/GMC	Speedometer Cable - 69" Length	TRK/SUV	X473-4047-69
17	69-72	Chevy/GMC	Cargo Lamp Switch	TRK	X631-4069-9



## INTERIOR



1



2



3



4



5



6



7



8



9



10



11



12



VISIT US ONLINE FOR THE MOST UP-TO-DATE PRICING AND SELECTION

#	YEAR	MAKE	DESCRIPTION	MODEL	PART #
1	69-72	Chevy/GMC	Turn Signal Lever - Tilt	TRK/SUV	T-9300
2	70-72	Chevy/GMC	Gear Shift Lever - w/ Tilt	TRK	467-4067-2
3	67-72	Chevy	Temperature Control Knobs - Black - 4 Piece Set	TRK	T-9579A
4	67-72	Chevy/GMC	Heater Control Knobs - 4pcs Set - Chrome	TRK/SUV	R-426
5	67-72	Chevy/GMC	Astro Side Vent Ball - Chrome - LH or RH	TRK/SUV	W-553A
6	71-72	Chevy/GMC	Door Jamb Vent Louver with Seal, LH or RH	TRK/SUV	W-025
7	67-72	Chevy/GMC	Dome Lamp Assembly - Chrome Base	TRK/SUV	X612-4060-CS
8	67-72	Chevy/GMC	Dome Lamp Assembly - White Base	TRK/SUV	X612-4060-WS
9	67-68	Chevy/GMC	Inside Rear View Mirror Bracket	TRK/SUV	X645-4060-3
10	67-71	Chevy/GMC	Inside Rear View Mirror Screw	TRK/SUV	X645-4060-5
11	67-72	Chevy/GMC	Sun Visor Retainer Clips - Chrome - Pair	TRK	385-4067-2
12	67-72	Chevy/GMC	Sun Visor Retainer Clips - Black - Pair	TRK	385-4067-2P



1



2



3



4



5



VISIT US ONLINE FOR THE MOST UP-TO-DATE PRICING AND SELECTION

#	YEAR	MAKE	DESCRIPTION	MODEL	PART #
1	67-72	Chevy/GMC	Glove Box Door - Black	TRK	461-4067
2	67-72	Chevy/GMC	Glove Box Door - Chrome	TRK	461-4067-C
3	67-72	Chevy	Glove Box Liner - w/o Air Conditioning	TRK	X461-4067-1
4	67-72	Chevy/GMC	Glove Box Liner - w/ Air Conditioning	TRK	X461-4067-2
5	67-72	Chevy/GMC	Glove Box Door Bumpers - Pair	TRK/SUV	J-1069

## EMBLEMS



6



7



8



9



10



11



12



13



14



15



16



17



VISIT US ONLINE FOR THE MOST UP-TO-DATE PRICING AND SELECTION

#	YEAR	MAKE	DESCRIPTION	MODEL	PART #
1	67-68	Chevy	Grille Emblem - "Bowtie"	TRK	999-4067-11
2	67-68	Chevy	Front Fender Emblem - "Bowtie10" - Pair	TRK	999-4067-21P
3	67-68	Chevy	Hood Letters - "CHEVROLET"	TRK	999-4067-3S
4	69-72	Chevy	Front Fender Emblems - "CUSTOM 10" - Pair	TRK/SUV	999-4069-21
5	69-70	Chevy	Front Fender Emblem - "C/10" - Pair	TRK/SUV	999-4069-21P
6	69-72	Chevy	Front Fender Emblem - "8 350" - Pair	TRK/SUV	999-4069-22P
7	69-70	Chevy	Hood Emblem - "Bowtie"	TRK/SUV	999-4069-31
8	71-72	Chevy	Grille Emblem - "Bowtie"	TRK/SUV	999-4071-11
9	71-72	Chevy	Front Fender Emblems - "DELUXE" - Pair	TRK/SUV	X999-4071-21P
10	71-72	Chevy	Front Fender Emblems - "CHEYENNE 10" - Pair	TRK/SUV	T-9721
11	71-72	GMC	Front Fender Emblems - "GMC JIMMY" - Pair	TRK	T-9835
12	68-70	Chevy/GMC	Door Decal - Blue Foil - "GM Mark Of Excellence"	TRK	W-857



WARNING: Cancer and Reproductive Harm - www.P65Warnings.ca.gov

833.404.4443 |

WWW.AUTOMETALDIRECT.COM



## FLEETSIDE WOOD FLOOR



VISIT US ONLINE FOR THE MOST UP-TO-DATE PRICING AND SELECTION

#	YEAR	MAKE	DESCRIPTION	MODEL	PART #
1	67	Chevy/GMC	Bedside - OE Style - LH	SHORT BED	720-4067-L
	67	Chevy/GMC	Bedside - OE Style - RH	SHORT BED	720-4067-R
2	68-72	Chevy/GMC	Bedside - OE Style - LH	SHORT BED	X720-4067-1L
	68-72	Chevy/GMC	Bedside - OE Style - RH	SHORT BED	X720-4067-1R
3	68-72	Chevy/GMC	Bedside - OE Style - LH	LONG BED	720-4067-2L
	68-72	Chevy/GMC	Bedside - OE Style - RH	LONG BED	720-4067-2R
4	67-72	Chevy/GMC	Bedside - No Holes - LH	SHORT BED	X720-4067-3L
	67-72	Chevy/GMC	Bedside - No Holes - RH	SHORT BED	X720-4067-3R
5	67-72	Chevy/GMC	Bed Wheelhouse - OE Style	TRK/SUV	760-4067
	67-72	Chevy/GMC	Bed Wheelhouse - 4" Wider	TRK/SUV	760-4067-4
6	67-72	Chevy/GMC	Wheelhouse Hardware Kit - OE Style - 102pcs	TRK/SUV	761-4067-S
	67-72	Chevy/GMC	Wider Wheelhouse Hardware Kit - 118pcs	TRK/SUV	761-4067-4S
7	67-72	Chevy/GMC	Front Bed Panel	TRK	715-4067-2
8	67-72	Chevy/GMC	Bed Cross Sill - Front / Center	TRK	716-4067-2I
9	67-72	Chevy/GMC	Bed Reinforcement Strip	TRK	717-4060-8
	67-72	Chevy/GMC	Bed Cross Sill - Rear	TRK	716-4063-3I
9	67-72	Chevy/GMC	Rear Shock Bracket - LH - 2wd w/ Rear Coils	TRK/SUV	X861-4067-L
	67-72	Chevy/GMC	Rear Shock Bracket - RH - 2wd w/ Rear Coils	TRK/SUV	X861-4067-R



## FLEETSIDE STEEL FLOOR



#	YEAR	MAKE	DESCRIPTION	MODEL	PART #
1	67	Chevy/GMC	Bedside - OE Style - LH	SHORT BED	720-4067-L
	67	Chevy/GMC	Bedside - OE Style - RH	SHORT BED	720-4067-R
2	68-72	Chevy/GMC	Bedside - OE Style - LH	SHORT BED	X720-4067-1L
	68-72	Chevy/GMC	Bedside - OE Style - RH	SHORT BED	X720-4067-1R
	68-72	Chevy/GMC	Bedside - OE Style - LH	LONG BED	720-4067-2L
	68-72	Chevy/GMC	Bedside - OE Style - RH	LONG BED	720-4067-2R
	67-72	Chevy/GMC	Bedside - No Holes - LH	SHORT BED	X720-4067-3L
	67-72	Chevy/GMC	Bedside - No Holes - RH	SHORT BED	X720-4067-3R
3	67-72	Chevy/GMC	Bed Wheelhouse - OE Style - LH or RH	TRK/SUV	760-4067
	67-72	Chevy/GMC	Bed Wheelhouse - 4" Wider - LH or RH	TRK/SUV	760-4067-4
4	67-72	Chevy/GMC	Wheelhouse Hardware Kit - OE Style - 102pcs	TRK/SUV	761-4067-S
	67-72	Chevy/GMC	Wider Wheelhouse Hardware Kit - 118pcs	TRK/SUV	761-4067-4S
5	67-72	Chevy/GMC	Front Bed Panel - OE Style - Steel Floor	TRK	715-4067-1
6	67-72	Chevy/GMC	Front Bed Panel Hardware Kit - Steel Floor	TRK	X715-4067-1S
7	67-72	Chevy/GMC	Bed Floor Assembly - 4" Wider	SHORT BED	790-4067-64S
	67-72	Chevy/GMC	Bed Floor Assembly - OE Style	SHORT BED	790-4067-6S
	67-72	Chevy/GMC	Bed Floor Assembly - OE Style	LONG BED	X790-4067-8S
8	67-72	Chevy/GMC	Bed Floor to Frame Mounting Kit - Steel Floor	TRK	X727-4067-1S
9	69-72	Chevy/GMC	Tailgate - Plain	TRK/SUV	925-4067-1
10	69-72	Chevy	Tailgate - "CHEVROLET"	TRK/SUV	925-4067-2
11	67-72	GMC	Tailgate - "GMC"	TRK/SUV	925-4967
12	67-72	Chevy/GMC	Bed Floor Repair Panel - 48" x 16"	TRK/SUV	791-4067
13	67-72	Chevy/GMC	Front Bed Floor Repair Panel - 42"	SHORT BED	791-4067-61
	67-72	Chevy/GMC	Front Bed Floor Repair Panel - 53.5"	LONG BED	791-4067-81
14	67-72	Chevy/GMC	Rear Bed Floor Repair Panel - 42"	SHORT BED	791-4067-62
	67-72	Chevy/GMC	Rear Bed Floor Repair Panel - 51"	LONG BED	791-4067-82
15	67-72	Chevy/GMC	Rear Bed Floor Repair Panel - 15"	TRK/SUV	791-4067-3



VISIT US ONLINE FOR THE MOST UP-TO-DATE PRICING AND SELECTION



## 4" WIDER TUB BOLT-IN BED FLOOR ASSEMBLIES



**1967-1972**

PT#790-4067-64S

- Chevy / GMC C/K Pickup
- Short Bed Fleetside
- Direct Bolt-In
- Fit Up to 16" Wide Wheels
- I-Pc OE Style Floor Pan
- Complete w/ Braces & Cross Rails

## SAVE ON FABRICATION COSTS AND BUILD TIME!

TUBS AND HARDWARE ARE AVAILABLE AND SOLD SEPARATELY

## ALL NEW TOOLING! OE STYLE BED FLOOR ASSEMBLIES

**1967-1972**

PT#790-4067-6S



Bottom Side

- Chevy / GMC C/K Pickup
- Short Bed Fleetside
- Direct Bolt-In
- OE gauge steel
- I-Pc OE Style Floor Pan
- Complete w/ Braces & Cross Rails



## STEP SIDE BED



VISIT US ONLINE FOR THE MOST UP-TO-DATE PRICING AND SELECTION

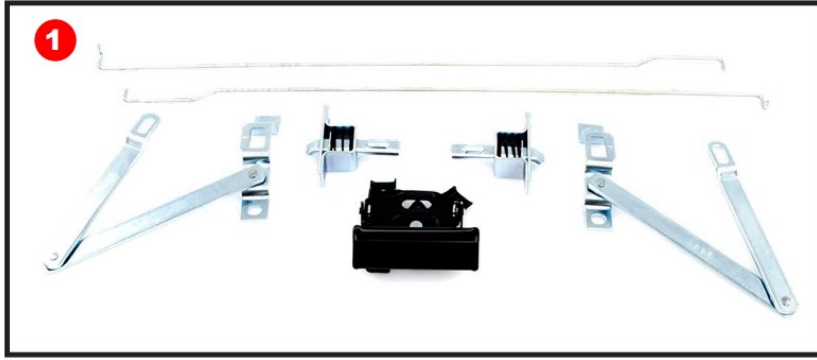
#	YEAR	MAKE	DESCRIPTION	MODEL	PART #
1	67-72	Chevy/GMC	Bedside - OE Style - LH	SHORT BED	721-4067-L
	67-72	Chevy/GMC	Bedside - OE Style - RH	SHORT BED	721-4067-R
2	67-72	Chevy/GMC	Front Bed Panel	TRK	715-4060-1
3	67-72	Chevy/GMC	Bed Cross Sill - Front / Center	TRK	716-4063-1
	67-72	Chevy/GMC	Bed Cross Sill - Front / Center	TRK	716-4060-1
4	67-72	Chevy/GMC	Bed Reinforcement Strip	TRK	717-4060-1
5	67-72	Chevy/GMC	Bed Cross Sill - Rear	TRK	716-4067-3I
6	68-72	Chevy/GMC	Rear Fender - '67 Requires Modification - LH	TRK	780-4068-L
	68-72	Chevy/GMC	Rear Fender - '67 Requires Modification - RH	TRK	780-4068-R
7	67-72	Chevy/GMC	Rear Fender Center Brace Set	TRK	781-4067
8	67-72	Chevy/GMC	Bed Step - LH	TRK	723-4067-L
	67-72	Chevy/GMC	Bed Step - RH	TRK	723-4067-R
9	67-72	Chevy	Tailgate - "CHEVROLET"	TRK	925-4054-2
10	67-72	Chevy/GMC	Tailgate - Plain	TRK	925-4054-1
11	67-72	Chevy/GMC	Tailgate Chains - Steel - Pair	TRK	X927-4041-3P
12	67-72	Chevy/GMC	Tailgate Chain Covers - Black - Pair	TRK	X927-4041-3P



WARNING: Cancer and Reproductive Harm - www.P65Warnings.ca.gov



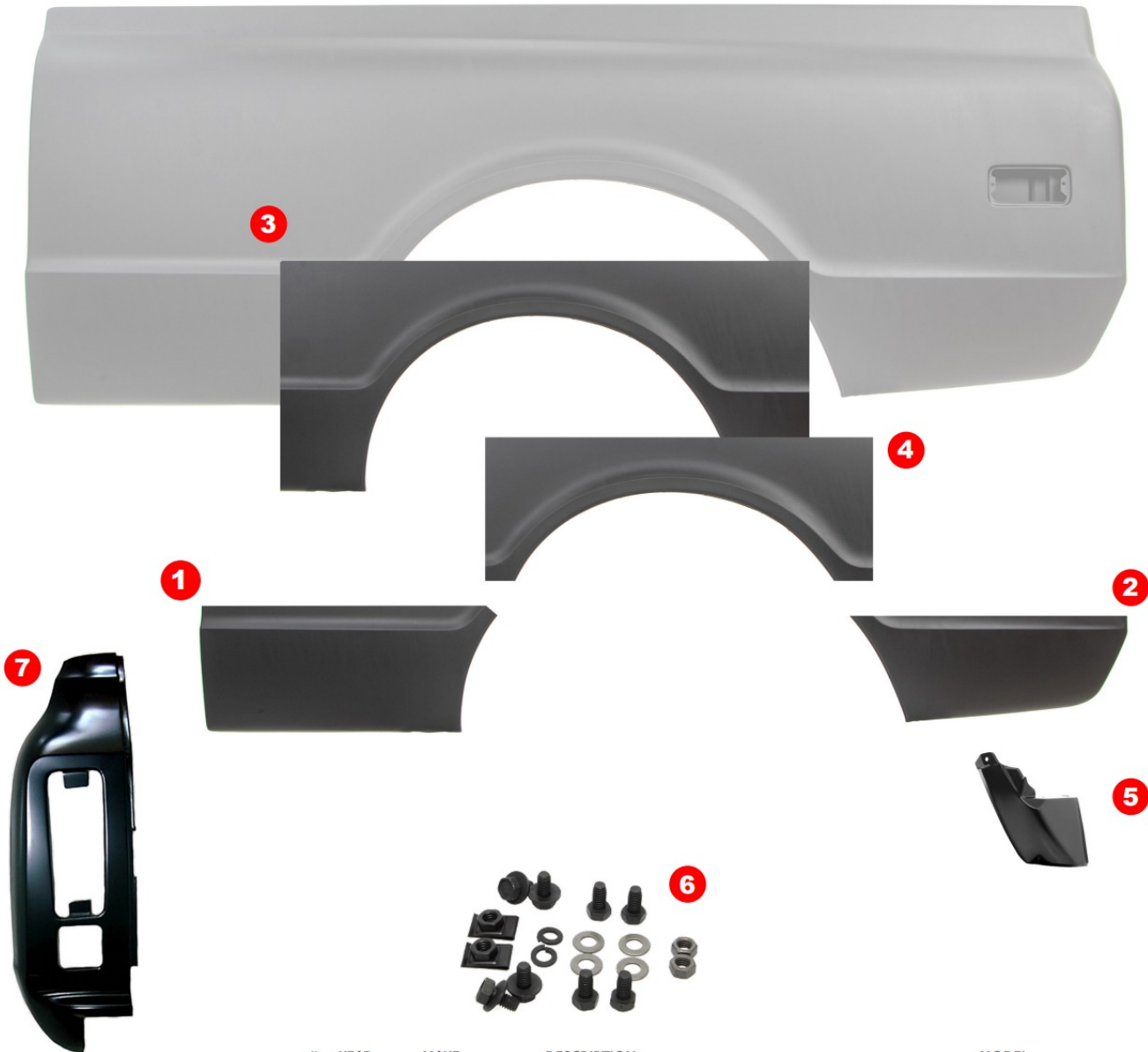
## TAILGATE COMPONENTS



VISIT US ONLINE FOR THE MOST UP-TO-DATE PRICING AND SELECTION

#	YEAR	MAKE	DESCRIPTION	MODEL	PART #
1	67-72	Chevy/GMC	Tailgate Component Kit - Trunnions Not Included	TRK/SUV	X927-4067-S
2	67-72	Chevy/GMC	Tailgate Handle - Paintable	TRK/SUV	927-4067-3
	67-72	Chevy/GMC	Tailgate Handle - Chrome	TRK/SUV	927-4067-3C
3	67-72	Chevy/GMC	Tailgate Handle Hardware	TRK/SUV	X927-4067-6S
4	67-72	Chevy/GMC	Tailgate Link Assemblies - Pair	TRK/SUV	X927-4067-4P
5	67-72	Chevy/GMC	Tailgate Links Hardware	TRK/SUV	X927-4067-8S
6	67-72	Chevy/GMC	Tailgate Latches - Pair	TRK/SUV	927-4067-1P
7	67-72	Chevy/GMC	Tailgate Latches Hardware	TRK/SUV	X927-4067-7S
8	67-72	Chevy/GMC	Tailgate Rods - 2pcs	TRK/SUV	927-4067-2P
9	67-72	Chevy/GMC	Tailgate Trunnions - Pair	TRK/SUV	927-4067-5P
10	67-72	Chevy/GMC	Upper Tailgate Bumpers - Pair	TRK	X926-4067-P

## BED REPAIR



VISIT US ONLINE FOR THE MOST UP-TO-DATE PRICING AND SELECTION

#	YEAR	MAKE	DESCRIPTION	MODEL	PART #
1	69-72	Chevy/GMC	Lower Front - 14.5" High - LH	TRK/SUV	725-4369-L
	69-72	Chevy/GMC	Lower Front - 14.5" High - RH	TRK/SUV	725-4369-R
2	67-72	Chevy/GMC	Lower Rear - 13" High - LH	LONG BED	755-4067-8L
	67-72	Chevy/GMC	Lower Rear - 13" High - RH	LONG BED	755-4067-8R
3	67-72	Chevy/GMC	Extended Wheel Arch - 60" L x 23" H - LH	TRK	730-4067-1L
	67-72	Chevy/GMC	Extended Wheel Arch - 60" L x 23" H - RH	TRK	730-4067-1R
4	67-72	Chevy/GMC	Upper Wheel Arch - 35" L x 14" H - LH	TRK	730-4067-L
	67-72	Chevy/GMC	Upper Wheel Arch - 35" L x 14" H - RH	TRK	730-4067-R
5	67-72	Chevy/GMC	Inner Bedside Splash Shield - LH - ONLY Fits OE Bedsides	TRK	763-4067-L
	67-72	Chevy/GMC	Inner Bedside Splash Shield - RH - ONLY Fits OE Bedsides	TRK	763-4067-R
6	67-68	Chevy/GMC	Inner Bedside Splash Shield Hardware	TRK	X763-4067-1S
	69-72	Chevy/GMC	Inner Bedside Splash Shield Hardware	TRK	X763-4067-2S
7	67-72	Chevy/GMC	Taillight Repair Panel - 9 1/2" L x 30" W - LH	SUBURBAN	719-4267-L
	67-72	Chevy/GMC	Taillight Repair Panel - 9 1/2" L x 30" W - RH	SUBURBAN	719-4267-R



## UPPER MOLDING



#	YEAR	MAKE	DESCRIPTION	MODEL	PART #
	67-68	Chevy/GMC	Fender Eyebrow Molding - LH	TRK/SUV	<b>X231-4067-1L</b>
	67-68	Chevy/GMC	Fender Eyebrow Molding - RH	TRK/SUV	<b>X231-4067-1R</b>
	69-72	Chevy/GMC	Front Upper Fender Molding - Black	TRK/SUV	<b>X231-4069-1</b>
	69-72	Chevy/GMC	Upper Door Molding - Black - LH	TRK	<b>X575-4069-1L</b>
	69-72	Chevy/GMC	Upper Door Molding - Black - RH	TRK	<b>X575-4069-1R</b>
	69-72	Chevy/GMC	Cab Corner Molding - Upper - Black - LH	TRK	<b>X456-4069-1L</b>
	69-72	Chevy/GMC	Cab Corner Molding - Upper - Black - RH	TRK	<b>X456-4069-1R</b>
	69-72	Chevy/GMC	Upper Bed Molding - Black	SHORT BED	<b>X731-4069-16</b>

## BLACK MOLDING

*\*FLEETSIDE BED ONLY*



\* Image is for reference only

#	YEAR	MAKE	DESCRIPTION	MODEL	PART #
	69-72	Chevy/GMC	Upper Side Molding Kit w/ Hardware	SHORT BED	<b>X299-4069-16S</b>
	69-72	Chevy/GMC	Upper Side Molding Kit w/ Hardware	LONG BED	<b>X299-4069-18S</b>
	69-72	Chevy/GMC	Lower Side Molding Kit w/ Hardware	SHORT BED	<b>X299-4069-26BS</b>
	69-72	Chevy/GMC	Lower Side Molding Kit w/ Hardware	LONG BED	<b>X299-4069-28BS</b>



VISIT US ONLINE FOR THE MOST UP-TO-DATE PRICING AND SELECTION

#	YEAR	MAKE	DESCRIPTION	MODEL	PART #
	69-72	Chevy/GMC	Front Lower Fender Molding - LH	TRK	<b>X231-4069-2BL</b>
	69-72	Chevy/GMC	Front Lower Fender Molding - RH	TRK	<b>X231-4069-2BR</b>
	69-72	Chevy/GMC	Rear Lower Fender Molding - LH	TRK	<b>X231-4069-3BL</b>
	69-72	Chevy/GMC	Rear Lower Fender Molding - RH	TRK	<b>X231-4069-3BR</b>
	69-72	Chevy/GMC	Lower Door Molding - LH	TRK	<b>X575-4069-2BL</b>
	69-72	Chevy/GMC	Lower Door Molding - RH	TRK	<b>X575-4069-2BR</b>
	69-72	Chevy/GMC	Lower Cab Corner Molding - LH	TRK	<b>X456-4069-2BL</b>
	69-72	Chevy/GMC	Lower Cab Corner Molding - RH	TRK	<b>X456-4069-2BR</b>
	69-72	Chevy/GMC	Front Lower Bed Molding - LH	SHORT BED	<b>X731-4069-26BL</b>
	69-72	Chevy/GMC	Front Lower Bed Molding - RH	SHORT BED	<b>X731-4069-26BR</b>
	69-72	Chevy/GMC	Front Lower Bed Molding - LH	LONG BED	<b>X731-4069-28BL</b>
	69-72	Chevy/GMC	Front Lower Bed Molding - RH	LONG BED	<b>X731-4069-28BR</b>
	69-72	Chevy/GMC	Rear Lower Bed Molding - LH	SHORT BED	<b>X731-4069-36BL</b>
	69-72	Chevy/GMC	Rear Lower Bed Molding - RH	SHORT BED	<b>X731-4069-36BR</b>
	69-72	Chevy/GMC	Rear Lower Bed Molding - LH	LONG BED	<b>X731-4069-38BL</b>
	69-72	Chevy/GMC	Rear Lower Bed Molding - RH	LONG BED	<b>X731-4069-38BR</b>



## WOODGRAIN MOLDING

\*FLEETSIDE BED ONLY



Upper Molding Set

Lower Molding Set

\* Image is for reference only



#	YEAR	MAKE	DESCRIPTION	MODEL	PART #
	69-72	Chevy/GMC	Upper Side Molding Kit w/ Hardware	SHORT BED	X299-4069-16S
	69-72	Chevy/GMC	Upper Side Molding Kit w/ Hardware	LONG BED	X299-4069-18S
	69-72	Chevy/GMC	Lower Side Molding Kit w/ Hardware	SHORT BED	X299-4069-26WS
	69-72	Chevy/GMC	Lower Side Molding Kit w/ Hardware	LONG BED	X299-4069-28WS



VISIT US ONLINE FOR THE MOST UP-TO-DATE PRICING AND SELECTION

#	YEAR	MAKE	DESCRIPTION	MODEL	PART #
	69-72	Chevy/GMC	Front Lower Fender Molding - LH	TRK	X231-4069-2WL
	69-72	Chevy/GMC	Front Lower Fender Molding - RH	TRK	X231-4069-2WR
	69-72	Chevy/GMC	Rear Lower Fender Molding - LH	TRK	X231-4069-3WL
	69-72	Chevy/GMC	Rear Lower Fender Molding - RH	TRK	X231-4069-3WR
	69-72	Chevy/GMC	Lower Door Molding - LH	TRK	X575-4069-2WL
	69-72	Chevy/GMC	Lower Door Molding - RH	TRK	X575-4069-2WR
	69-72	Chevy/GMC	Lower Cab Corner Molding - LH	TRK	X456-4069-2WL
	69-72	Chevy/GMC	Lower Cab Corner Molding - RH	TRK	X456-4069-2WR
	69-72	Chevy/GMC	Front Lower Bed Molding - LH	SHORT BED	X731-4069-26WL
	69-72	Chevy/GMC	Front Lower Bed Molding - RH	SHORT BED	X731-4069-26WR
	69-72	Chevy/GMC	Front Lower Bed Molding - LH	LONG BED	X731-4069-28WL
	69-72	Chevy/GMC	Front Lower Bed Molding - RH	LONG BED	X731-4069-28WR
	69-72	Chevy/GMC	Rear Lower Bed Molding - LH	SHORT BED	X731-4069-36WL
	69-72	Chevy/GMC	Rear Lower Bed Molding - RH	SHORT BED	X731-4069-36WR
	69-72	Chevy/GMC	Rear Lower Bed Molding - LH	LONG BED	X731-4069-38WL
	69-72	Chevy/GMC	Rear Lower Bed Molding - RH	LONG BED	X731-4069-38WR



gm restoration



gm restoration



VISIT US ONLINE FOR THE MOST UP-TO-DATE PRICING AND SELECTION

#	YEAR	MAKE	DESCRIPTION	MODEL	PART #
1	69-72	Chevy/GMC	Upper Tailgate Molding - LH Woodgrain	TRK/SUV	X930-4069-1L
	69-72	Chevy/GMC	Upper Tailgate Molding - RH Woodgrain	TRK/SUV	X930-4069-1R
2	69-72	Chevy/GMC	Lower Tailgate Molding	TRK/SUV	X930-4069-2
3	69-72	Chevy/GMC	Lower Tailgate Molding Clip Kit	TRK/SUV	G-L0007
4	69-72	Chevy	Tailgate Molding - Woodgrain - "CHEVROLET"	TRK/SUV	T-9655
5	69-72	GMC	Tailgate Molding - Black - "GMC"	TRK/SUV	T-9819



WARNING: Cancer and Reproductive Harm - www.P65Warnings.ca.gov

833.404.4443 |

WWW.AUTOMETALDIRECT.COM



## SIDE MARKER LIGHTS



1



2

#	YEAR	MAKE	DESCRIPTION	MODEL	PART #
1	68-72	Chevy/GMC	Front Side Marker Light	TRK/SUV	X240-4067-1
2	68-72	Chevy/GMC	Rear Side Marker Light	TRK/SUV	X740-4068-1

## PARK LIGHTS



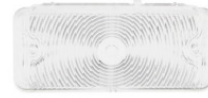
3



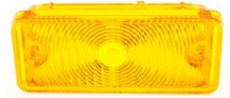
4



5



6



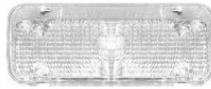
7



8



9



10



11



12

#	YEAR	MAKE	DESCRIPTION	MODEL	PART #
3	67-68	Chevy	Assembly - Amber Lens - LH	TRK/SUV	X137-4067-L
	67-68	Chevy	Assembly - Amber Lens - RH	TRK/SUV	X137-4067-R
4	69-70	Chevy	Assembly - Clear Lens - LH	TRK/SUV	X137-4069-L
	69-70	Chevy	Assembly - Clear Lens - RH	TRK/SUV	X137-4069-R
5	71-72	Chevy	Assembly - Amber Lens - LH	TRK/SUV	X137-4071-L
	71-72	Chevy	Assembly - Amber Lens - RH	TRK/SUV	X137-4071-R
6	67-68	Chevy	Lens - Clear - LH	TRK/SUV	X135-4067-CL
	67-68	Chevy	Lens - Clear - RH	TRK/SUV	X135-4067-CR
7	67-68	Chevy	Lens - Amber - LH	TRK/SUV	X135-4067-L
	67-68	Chevy	Lens - Amber - RH	TRK/SUV	X135-4067-R
8	69-70	Chevy	Lens - Clear - RH	TRK/SUV	K-CT23648
	69-70	Chevy	Lens - Clear - LH	TRK/SUV	K-CT23649
9	71-72	Chevy	Lens - Amber - LH	TRK/SUV	135-4071-1L
	71-72	Chevy	Lens - Amber - RH	TRK/SUV	135-4071-1R
10	71-72	Chevy	Lens - Clear - LH	TRK/SUV	K-T70915
	71-72	Chevy	Lens - Clear - RH	TRK/SUV	K-T70916
11	67-72	GMC	Lens - LH or RH	TRK/SUV	T-A9835
12	67-68	Chevy	Lens Gaskets - Pair	TRK/SUV	134-4067-S
	69-70	Chevy	Lens Gaskets - Pair	TRK/SUV	X134-4069-P
	71-72	Chevy	Lens Gaskets - Pair	TRK/SUV	X134-4071-P
	67-72	GMC	Lens Gaskets - Pair	TRK/SUV	X134-4967-P



VISIT US ONLINE FOR THE MOST UP-TO-DATE PRICING AND SELECTION





## REAR LIGHTS



1



2



3



4



5



6



7



8



9



10



11



12



VISIT US ONLINE FOR THE MOST UP-TO-DATE PRICING AND SELECTION

#	YEAR	MAKE	DESCRIPTION	MODEL	PART #
1	67-72	Chevy/GMC	Taillight Assembly	TRK/SUV	K-K1014
2	67-72	Chevy/GMC	Taillight Assembly - Black	STEPSIDE	X950-4067-I
3	67-72	Chevy/GMC	Taillight Assembly - Stainless Steel	STEPSIDE	X950-4067-ISS
4	67-72	Chevy/GMC	Taillight Housing	TRK/SUV	K-5958722
5	67-72	Chevy/GMC	Taillight Lens	TRK/SUV	K-5959111
6	67-72	Chevy/GMC	Taillight Lens	STEPSIDE	X951-4067-I
7	67-72	Chevy/GMC	Back-up Light Assembly - LH	TRK/SUV	X955-4067-2LS
8	67-72	Chevy/GMC	Back-up Light Assembly - RH	TRK/SUV	X955-4067-2RS
9	67-72	Chevy/GMC	Back-up Light Assembly	STEPSIDE	X955-4067-1S
10	67-72	Chevy/GMC	Back-up Light Housing - LH	TRK/SUV	X955-4067-5L
11	67-72	Chevy/GMC	Back-up Light Housing - RH	TRK/SUV	X955-4067-5L
12	67-72	Chevy/GMC	Back-up Light Lens - LH	TRK/SUV	K-5961257
	67-72	Chevy/GMC	Back-up Light Lens - RH	TRK/SUV	K-5961258
	67-72	Chevy/GMC	Back-up Light Lens	SUBURBAN	K-CX1772
	67-72	Chevy/GMC	Back-up Light Lens	STEPSIDE	X955-4067-I

1

KIT



## CARGO LIGHTS

2



3



4



5



6



7



#	YEAR	MAKE	DESCRIPTION	MODEL	PART #
1	70-72	Chevy/GMC	Cargo Light Assembly	TRK	W-289E
2	70-72	Chevy/GMC	Cargo Light Lens	TRK	W-289B
3	70-72	Chevy/GMC	Cargo Light Lens Gasket	TRK	W-289C
4	70-72	Chevy/GMC	Cargo Lens Screws - 2pcs	TRK	W-289D
5	70-72	Chevy/GMC	Cargo Light Housing	TRK	W-289A
6	70-72	Chevy/GMC	Cargo Light Mount Spacers - 2pcs	TRK	W-289F
7	70-72	Chevy/GMC	Cargo Light to Cab Seal	TRK	W-289G



WARNING: Cancer and Reproductive Harm - www.P65Warnings.ca.gov



## MISCELLANEOUS



1



2



3



4

#	YEAR	MAKE	DESCRIPTION	MODEL	PART #
1	67-68	Chevy/GMC	Timing Chain Cover - Big Block w/ 7" Balancer	TRK/SUV	R-264
2	67-68	Chevy/GMC	Timing Chain Cover - Big Block w/ 8" Balancer	TRK/SUV	R-267
3	69-70	Chevy/GMC	Timing Chain Cover - Big Block w/ 7" Balancer	TRK/SUV	R-265
4	69-70	Chevy/GMC	Timing Chain Cover - Big Block w/ 8" Balancer	TRK/SUV	R-268



1



2



3



4



5



6



7



8



9



10

#	YEAR	MAKE	DESCRIPTION	MODEL	PART #
1	67-72	Chevy/GMC	Crankshaft Pulley - Single Groove w/o A/C - Small Block	TRK/SUV	W-970
2	67-72	Chevy/GMC	Ignition Coil Bracket - 25 Degree w/ Correct Bolt - Non-Tilt Column	TRK/SUV	R-145
3	69-72	Chevy/GMC	Upper Alternator Bracket - Small Block	TRK/SUV	W-570
4	68-69	Chevy/GMC	Upper Alternator Bracket - Big Block	TRK/SUV	W-888
5	68-70	Chevy/GMC	Lower Alternator Bracket - Cast Iron - Big Block	TRK/SUV	W-436
6	67-68	Chevy/GMC	Power Steering Pump Cradle Bracket - Big Block	TRK/SUV	W-688
7	67-72	Chevy/GMC	Power Steering Pump Pulley - Single Groove - Small Block	TRK/SUV	W-938
8	69-72	Chevy/GMC	Power Steering Pump Bracket - Rear - Small Block	TRK/SUV	X397-3569
9	67-72	Chevy/GMC	Engine Lift Bracket Set - Big Block - Universal	TRK/SUV	W-930
10	67-72	Chevy/GMC	Engine Lift Bracket Set - Small Block - Universal	TRK/SUV	W-931





We offer reproduction air cleaners for models with special high performance engines. Includes recessed base, filter, and lid. Original for GM passenger cars, these can be used on engine conversions with a 4 barrel carburetor neck size 5 1/8" - heck application for fitment. A larger selection available online at [autometaldirect.com](http://autometaldirect.com).



1



2



3

4

#	YEAR	MAKE	DESCRIPTION	MODEL	PART #
1	67-72	Chevy/GMC	Dual Snorkel Air Cleaner - w/ Chrome Lid - 4bbl carb with 5 1/8" neck	TRK/SUV	<b>W-460</b>
2	67-72	Chevy/GMC	Dual Snorkel Air Cleaner - w/ Black Lid - 4bbl carb with 5 1/8" neck	TRK/SUV	<b>W-460A</b>
3	67-72	Chevy/GMC	Air Cleaner Lid - Triple Chrome - Open Element	TRK/SUV	<b>W-244</b>
4	67-72	Chevy/GMC	Air Cleaner Lid - Black - Open Element	TRK/SUV	<b>W-244A</b>



5

#	YEAR	MAKE	DESCRIPTION	MODEL	PART #
5	67-72	Chevy/GMC	Valve Covers - Chrome - Pair	TRK/SUV	<b>W-540</b>

gm restoration



6



7

#	YEAR	MAKE	DESCRIPTION	MODEL	PART #
6	69-72	Chevy/GMC	Engine Oil Dipstick Kit - 1st design	TRK/SUV	<b>R-680</b>
7	69-72	Chevy/GMC	Engine Oil Dipstick Kit - 2nd design	TRK/SUV	<b>R-681</b>



8



9



10



#	YEAR	MAKE	DESCRIPTION	MODEL	PART #
8	67-72	Chevy/GMC	Upper Control Arm - LH - 2WD	TRK/SUV	<b>X392-4067-L</b>
	67-72	Chevy/GMC	Upper Control Arm - RH - 2WD	TRK/SUV	<b>X392-4067-R</b>
9	67-70	Chevy/GMC	Tie Rod Sleeve with Clamps & Hardware	TRK	<b>SS-350</b>
10	71-72	Chevy/GMC	Disc Brake Dust Shields - Pair	TRK	<b>389-4067-P</b>



WARNING: Cancer and Reproductive Harm - [www.P65Warnings.ca.gov](http://www.P65Warnings.ca.gov)

# AMP GARAGE



**@AUTOMETALDIRECT**



Only at  
**SQRBDY.com**

Hats  
Tees  
Stickers  
Billet Emblems



**C10s in the City: A classic GM truck show in the heart of downtown Atlanta. Open to all GM trucks 1998 and older.**

"Awesome day. Great venue, great people, great all around."

"Besides beautiful trucks, this show has good people and good energy."

"Can't beat the background views. Vendors were on point. All in all, it's a damn good time."



[www.c10sinthecity.com](http://www.c10sinthecity.com)

**June 3, 2023. Atlanta, GA.**



# Intellitronix

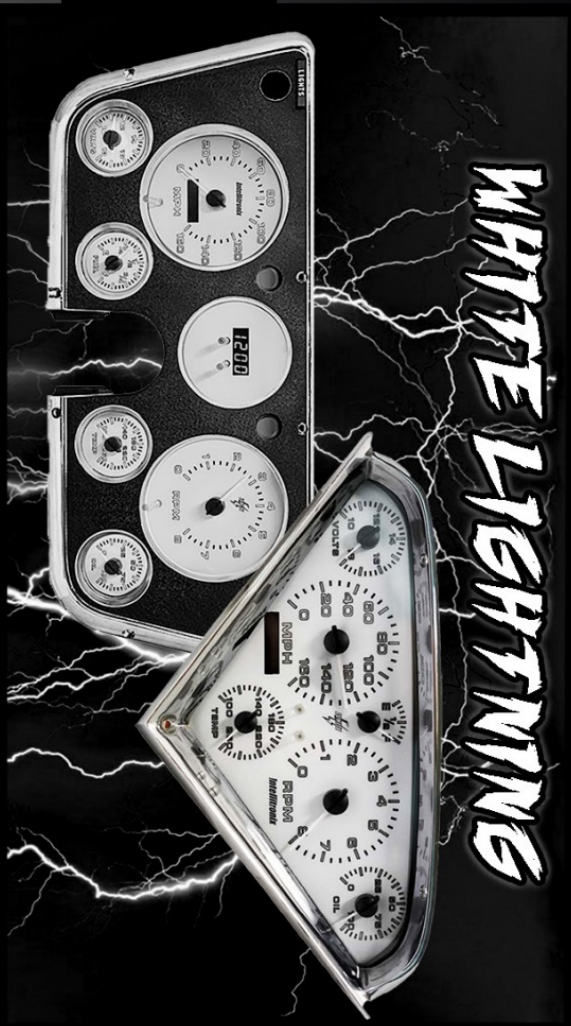
Intelligent Electronics  
EMPLOYEE-OWNED



1955-1999 GM TRUCK  
DIRECT FIT GAUGE CLUSTERS  
ANALOG, BARGRAPH, DIGITAL



# WHITE LIGHTNING



WWW.INTELLITRONIX.COM

440-359-7200

AVAILABLE IN LED COLORS

# BluePrint ENGINES®

## FORTY YEARS OF BUILDING DEPENDABLE AND HONEST HORSEPOWER!

OVER 300 GM, FORD & CHRYSLER COMPATIBLE CONFIGURATIONS TO CHOOSE FROM.

- *Up to 1,015 horsepower!*
- *30-Month/50,000-Mile Warranty... the absolute best in the industry*
- *Every engine is Dyno Tested and shipped with printed Dyno results*
- *With over 390,000 engines built to date, we are the leading manufacturer of crate engines designed and built in the US*
- *100% brand new components including blocks, cranks, cams, rods, pistons, etc.*
- *All blocks designed by BluePrint's engineers from the ground up for improved performance & durability*
- *Now available: Blueprint Engines Builder Series...complete engine and transmission packages. Each Builder Series ships with transmission pre-installed.*

PROUDLY  
MADE IN THE  
USA



**(308) - 236 - 1010 • [www.BluePrintEngines.com](http://www.BluePrintEngines.com)**

# BluePrint ENGINES®

## FORTY YEARS OF BUILDING DEPENDABLE AND HONEST HORSEPOWER!

OVER 300 GM, FORD & CHRYSLER COMPATIBLE CONFIGURATIONS TO CHOOSE FROM.

- *Up to 1,015 horsepower!*
- *30-Month/50,000-Mile Warranty... the absolute best in the industry*
- *Every engine is Dyno Tested and shipped with printed Dyno results*
- *With over 390,000 engines built to date, we are the leading manufacturer of crate engines designed and built in the US*
- *100% brand new components including blocks, cranks, cams, rods, pistons, etc.*
- *All blocks designed by BluePrint's engineers from the ground up for improved performance & durability*
- *Now available: Blueprint Engines Builder Series...complete engine and transmission packages. Each Builder Series ships with transmission pre-installed.*

PROUDLY  
MADE IN THE  
USA



**(308) - 236 - 1010 • [www.BluePrintEngines.com](http://www.BluePrintEngines.com)**





# SLAM DANCIN'

## INSTALLING AUTO METAL DIRECT'S SQUAREBODY DOOR PRESSURE VALVES

The '73-87 GM truck platform is near and dear to many of us. It continues to garner attention from builders, collectors, and everyone in between from all across the country. That's great for us, after all, we have been proud supporters of everything C/K from the jump. This attention has also been well received and responded to from the aftermarket industry. When we look at the Squarebody from here, one company comes to mind, Auto Metal Direct.

Unless you have been living under a rock, you have probably already heard of AMD. They are the go-to restoration parts guys any time you want premium quality replacements for your classic truck. They have everything. Glass, seals, dash bezels, interior components, trim, and of course, body panels. They have been developing all new reproduction parts for your '73-87 for years now and the quality is second to none.

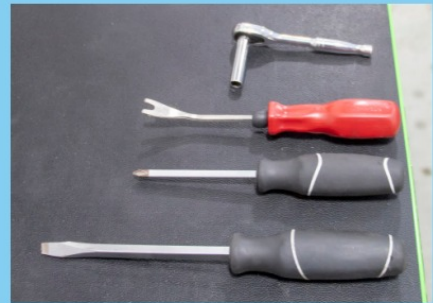
Now, as any of you who have a Squarebody know, one thing is for certain - the doors can be hard to close. With years of faithful service, the doors are slammed, used, abused, and put through the test of time. There can be several ways to fix this issue, although the doors may never close like a more modern truck, but that is where we head to AMD. They carry multiple solutions for this issue. You'll need to take a closer look at your project to decide a true plan of action. AMD offers new door latches, strikers, door hinges, hinge pins, etc. However, one of the most overlooked components to the '73-87 door is one that isn't so obvious. That is the door pressure relief valve. What the h-e-double-hockey-stick is a door pressure relief valve? That is the valve that relieves the air pressure inside the cab when you close your doors. It's simplistic in design, with a plastic housing and rubber flaps that open simply by the pressure of the airflow when you close your door. Over a 30+ year time span, they get worn out, as well. They can stick or become brittle and fail just like any other part. But they are out of sight and out of mind. Well, AMD has developed all-new replacements for us, and we head over to Zach Huckleberry at AMD, where he shows just how easy it is to replace these components.



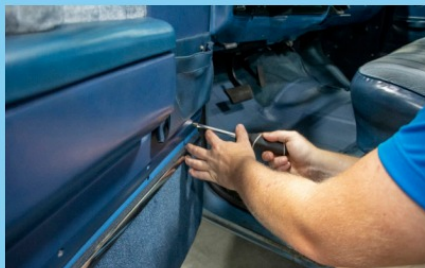
**1** The typical Squarebody truck door, although this is a well-maintained example. Before getting started, roll the window down for easier removal of the door panel



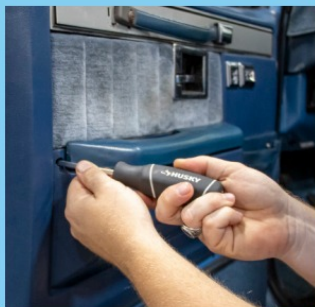
**2** There are going to be two common door panel configurations. In this article we will focus on the '81-87 design with the higher trim level lower carpet panel shown here in blue, but your truck may have the lower vents exposed like this '73-80 style in gold.



**3** Only basic tools are required to accomplish this task. A couple screw drivers, a door panel removal tool, and a socket to disconnect the battery. Always disconnect the battery when dealing with anything electrical.



**4** Start by removing the door panel screws. In this truck, there are 4 screws across the bottom that need to be removed. Working our way from bottom to top on this panel, there is one more Phillips screw next to the arm rest that needs to be removed. With the lower screws removed, Zach removes the 2 screws inside the arm rest. These can be tricky and hang up when you got to remove the door panel.

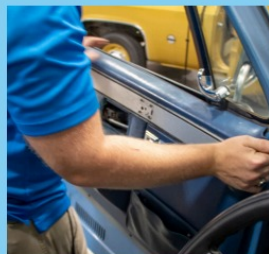


**5** 2 screws hold the interior door handle bezel in place and need to be removed. The same procedure is used for the inner brace as well. Patience is key, you don't want to go too far and damage the factory threads that you will be using.



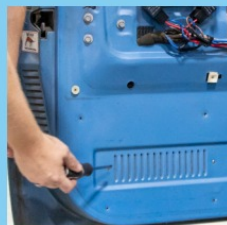
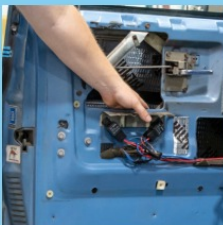
**6** The door pull strap is next. Remove the clips by pushing in on the outer sides and pull out. The door pull strap is next. Remove the clips by pushing in on the outer sides and pull out. As you can see, the door pull straps have a retainer cap. It is easier to leave them in place when removing the screws from the door. Like most of these components, AMD offers quality replacements if you need them.

**7** Unscrew the door lock knob. This optioned out Sierra has lower door panels. Our example has 8 screws total that need to be removed but we have found that this number varies fairly often depending on the exact trim level. Check the panel to make sure you have all the screws before forcing it off.



**8** The door panel has an additional 2 push tabs that need to be pried out. These came out easily, but you may need the door panel removal tool. With the pins popped out, Take the door panel and work it out from the door glass channel. A quick inspection of the window felts is a good idea here as AMD offers replacements as well if needed.

**9** Before you can remove the door panel, you will need to roll the window back up. Hook the battery back-up, roll the window up, and then re-disconnect the battery before you unplug the switches. These switches have a small push-on cap holding the harness in place. You can give them a slight twist and they come off without any issue.



**10** The best spot to access the door valves is through the large outer hole in the door replacements as well if needed. The door pressure relief valve is held in place with two screws on either side of the factory louvers.

**11** With the old piece removed, you can see the side by side comparison between the old valve and the new AMD OE style replacement.

**12** The installation is a direct reversal of the steps above. Huck went ahead and installed new door pull strap caps and window felts with AMD replacements. The doors now close a little easier with the new relief valves installed.



**Auto Metal Direct**  
 3348 Gateway Centre Parkway,  
 Gainesville, GA 30507  
 (877) 575-3586 [autometaldirect.com](http://autometaldirect.com)  
 autometaldirect

# EDDIE MOTORSPORTS



## Hood Hinges



Starting at \$640.00

Eddie Motorsports manufactures hood hinges to fit multiple years of Ford and GM cars and trucks.

## Trunk Hinges



Starting at \$250.00

## Valve Covers



Starting at \$160.95

Available in Short or Tall aluminum covers.

## Door Jam Vents



Starting at \$75.05

## Battery Boxes



Starting at \$118.20

## Taillights



Starting at \$250.00

Starting at \$397.55

## Air Cleaners



Starting at \$269.10

Starting at \$269.10

Starting at \$269.10

**NEW!**

## Steering Wheels



Available in 14" and 15" diameters.

## Door Handles



### Interior

Starting at \$83.70

Starting at \$86.10

## Window Cranks



### Exterior

Starting at \$350.70

**10% OFF**

PROMO CODE **AMD23**

**EXCLUSIVE OFFER**

Call: 1-888-813-1293 ▶ Click: [www.EddieMotorsports.com](http://www.EddieMotorsports.com)

Visit: 11479 Sixth St., Rancho Cucamonga, CA 91730

Follow us: [f](#) [You Tube](#) [i](#) /eddiemotorsports





## Complete Ford 9 Rear Ends Replacement and Upgrade Parts

### Direct fit Ford 9 Rear Ends

All new construction  
Laser-Cut, Jig-Welded Brackets  
Ships UPS to Any Location  
Built-to-Order  
Many Options Available Including:  
- Custom Widths  
- Powdercoating  
- Flipped Perches

Common Builds:  
450HP Street/Strip Rear End      \$2315  
1,000HP Drag Racing Rear End    \$2529

### GM10 Bolt, GM12 Bolt, and Dana 60 Parts

Ring and Pinions  
Posi, Lockers, Spools, Open Differentials  
Bearing Kits  
Axles Shafts  
5 / 6 / 8 Lug Conversions  
Disc and Drum Upgrades  
Billet and Standard Covers  
Pinion Yokes



[QUICKPERFORMANCE.COM](http://QUICKPERFORMANCE.COM)

515.232.0126



**QUALITY YOU  
CAN TRUST!**

[WWW.AUTOMETALDIRECT.COM](http://WWW.AUTOMETALDIRECT.COM)

# CLEARANCE CLARENCE

Making room up front for that lowered stance!



Retro fitting the 81-91 GM Truck with 73-80 Inner Fenders - More room for activities

One of the biggest concerns for truck owners, especially when you love the lowered look, is clearance. I remember, back in the day, grabbing the reciprocating saw and removing anything necessary to get as low as possible. As I have refined my taste and my concern for the longevity of my projects, I look for an elevated approach to modification. I've been looking for a way to do just that and bring you guys along in the process. Enter Bryan Harrison of Harrison's Rod & Customs. Harrison is known for hot rods with a true foundation in street rodding. His unique style continues throughout the Squarebody platform and is seen in each build they produce.

With the builds Harrison's Rod & Customs produces, drivability is of utmost importance. The Harrison style is true to hot rodding, and you can always tell one of his builds apart from the rest. Staggered wheels and meaty sidewalls are a staple and you got to have clearance for that to work. With the popularity of the 73-87 GM trucks, now a days there is always a couple of Squarebodies in his shop. Bryan and I got to talking about this topic and he had the perfect scenario.

Bryan has always wanted to try out installing the early 73-80 Squarebody inner fenders in the 81-87 platform and see what he could gain by doing so. The 73-80 inner fenders have a larger housing and should be able to bolt in without too much fabrication. So, when his customer approached him, he knew we had to document it for Classic Truck Performance. Daniel Chandler, owner of a 1989 Chevy Suburban sourced Harrison last summer for a static drop on his Squarebody Suburban. Sitting on a 5/7 drop, it needed just a little inner fender room but at the time, he wasn't quite ready for a full-on tub. Daniel wanted to stay with a GM look under the hood. He recently reached out to Harrison after noticing some rubbing on the factory inner fenders and was ready to get them addressed. With the owner open to the idea of the conversion, Bryan reached out to Auto Metal Direct for the inner fenders and shows us just how easy it is to install with basic tools around the shop.



**1.** As you can tell, the 5inch drop on the front has some clearance issues when this truck hits a bump in the road.



**2.** New inner fenders arrived from Auto Metal Direct, these work on all 73-80 GM Trucks, Blazers, Jimmys and Suburbans.



**3.** Harrison starts with the driver side inner fender. There isn't a whole lot to remove here. The factory bottle jack is missing like most of these trucks, but we will need to address the vapor canister mount.



**4.** With the original inner out and next to the 73-80 AMD version, you can see just how much clearance you're going to gain over the factory 81-87 inner fender.



**5.** First mod, we need to trim the new inner fender to contour properly with the fender. You can use tin snips or your cut off wheel for this.



**6.** With the trimming done, you can see that the factory hole lines up, and you can start bolting it in



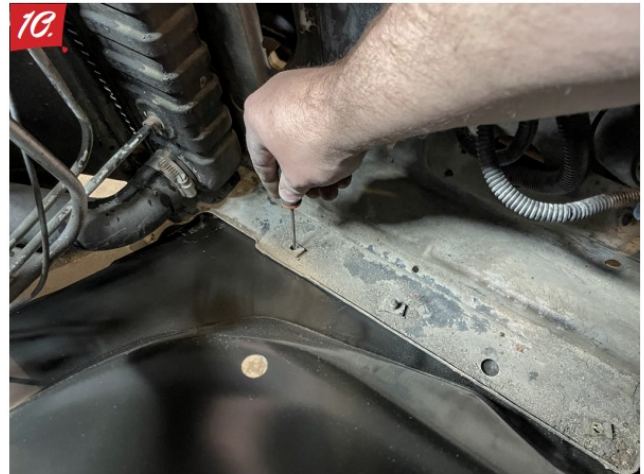
7. The reinforcement brace will need to be opened to line up the bolt holes. A stubby step bit works great for this. The holes aren't off very far.



8. The same procedure is used for the inner brace as well. Patience is key, you don't want to go too far and damage the factory threads that you will be using.



9. The holes at the front that connect to the core support need to be adjusted as well. Only slight adjustments are necessary, the factory bolt and washer will cover up these spots.



10. Harrison uses a small pick to mark the panel to drill for the 3 core support bolts.



11. As you can see, the new early model inner fenders from AMD give you that extra tire clearance and maintain an original look



12. As you can see, the new early model inner fenders from AMD give you that extra tire clearance and maintain an original look



# CELEBRATING our 4th DECADE of EXCELLENCE



**Phoenix has conversion kits to make it easy to install an overdrive into your Classic GM truck.**

Let our trained staff help you select the proper transmission and components to give you the very best performance and economy possible with your vehicle. We have overdrive options to fit nearly any combination from early model up through the latest designs.

We also carry the incredible "Compushift" electronic transmission control system as well as our own easy to use TV cable and bracket systems.



**The highest quality trans packages matched with unbeatable customer service since 1983!**

Phoenix Transmission Products has specialized in building specialty transmissions and torque converters for the automotive enthusiast. We build each transmission and converter per order to match these components to your vehicle and driving style. Our friendly tech people are always glad to talk with you, hear about your project, and love to answer your questions. No bad attitudes here. We are performance car nuts just like you!

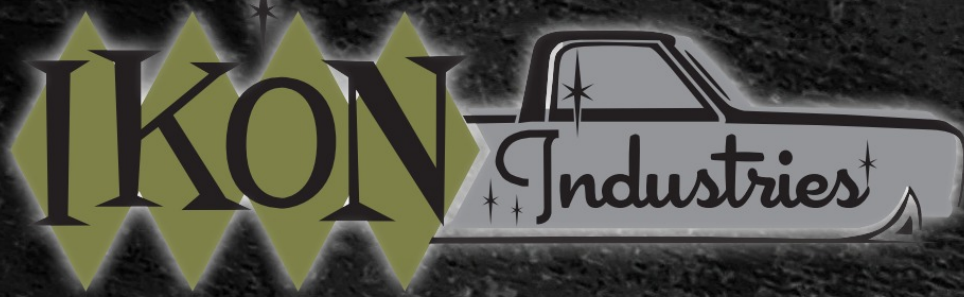
We have automatic transmissions, torque converters and installation accessories to fit nearly any application.

**Give us a call or email to:  
questions@phoenixtrans.com.**

**We are happy to help.**

**PHOENIX  
TRANSMISSION PRODUCTS**  
**Order Toll Free 1-866-SHIFT UP**  
Tech 817-599-7680 ▪ Order Toll Free 866-744-3887

**Check us out at:  
www.phoenixtrans.com**



**CHEVY / GMC SWB TRUCK OPTIONS**

• 1947-1954 • 1955-1959 • 1960-1962 • 1963-1966 • 1967-1972 • 1973-1987 • 1988-1998

**CHEVY / GMC BLAZER/JIMMY OPTIONS**

• 1967-1972 • 1973-1987

**Chassis Packages:**

**FULLY LOADED BAGS**



- Slam Specialties Bags
- Aldan American 2.0 Adjustable Shocks
- Watts 4 Link
- Airlift 3P Management
- 5 Gal Aluminum Tank
- Dual ViAir 485C Compressors
- -6AN Air Lines
- Level -AN Fittings



- Powder coated Black Finish
- LS / SB Motor Mounts
- Trans Mount
- 22 gal Fuel Cell
- -AN Fuel Lines
- External Fuel Pump & Regulator
- 9" Fully Loaded 31 Spline LSD Diff
- Any Width Rear Axle
- Dutchman Axle Shafts
- 5 Lug / 6 Lug
- Bed Floor Risers
- Dual Battery Boxes



- Sway Bars - Front & Rear
- Power Rack & Pinion
- Drop Spindles
- Wheel Bearings
- Moog Ball Joints
- Fabrication Upper & Lower A-Arms



- 14" Rotors - Front & Rear
- Brake Lines



**HalfCocked BAGS or COILOVERS**



• Bag Brackets

or



• Coilovers



• Fabricated A-Arms

or



• Tubular A-Arms



- Fabricated Chassis
- Rear 4 Link
- Rear Watts Link
- Motor Mounts
- Trans Mount
- Body Mounts
- Ball Joints



- Drop Spindles
- Power Rack & Pinion

**FULLY LOADED COILOVERS**



- Aldan American Coilovers
- Adjustable 4 Link w/ Panhard Bar



- Fully Fabricated Chassis
- Powder Coated Black Finish
- LS / SB Motor Mounts
- Trans Mount
- 22 gal Fuel Cell
- -AN Fuel Lines
- External Fuel Pump & Regulator
- 9" Fully Loaded 31 Spline LSD Diff
- Any Width Rear Axle
- Dutchman Axle Shafts
- 5 Lug / 6 Lug



- Sway Bars - Front & Rear
- Power Rack & Pinion
- Drop Spindles
- Wheel Bearings
- Moog Ball Joints
- Tubular Upper & Lower A-Arms
- 4 Link w/ Panhard Bar



- 14" Rotors - Front & Rear
- Brake Lines

Visit [ikonindustries.net](http://ikonindustries.net) For More Information or Call (909) 930 5109



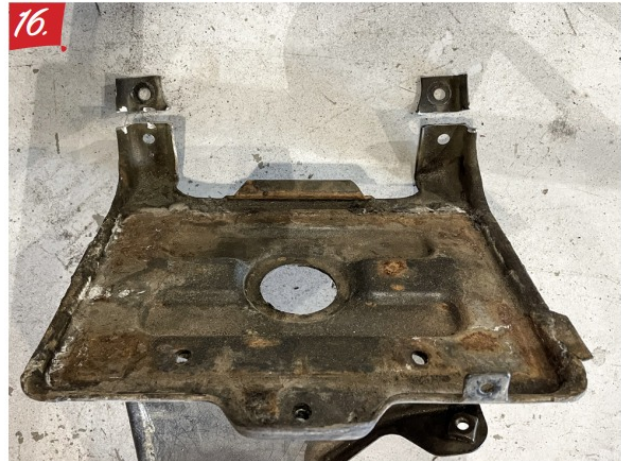
13. The same process is carried over to the driver side, all the original wheel arch bolts are reused as well.



14. Harrison applies a light coat of sealer to finish off the installation underneath.



15. The other part of this conversion deals with modifying the battery tray and overflow canister.



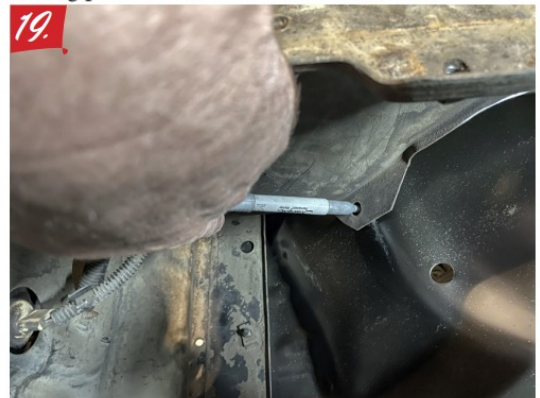
16. The battery tray top ears are cut to allow for clearance with the higher sitting position of the new inner fenders.



17. Harrison drills a second hole to achieve better stability once the battery tray is in place.



18. The center tab is drilled for mounting on the inner fender. This serves as a mockup to drill the inner fender for the 3/8-16 x 3/4" bolt.



19. With the battery tray modifications completed, the inner fender is marked to be drilled for mounting. Harrison uses factory style nuts and bolts to attach the battery tray to the inner fender and the main fender inner structure.



**20.** With the battery tray in place, you can see it all appears as if it came from GM just like this.



**21.** This truck came with a fender mounted overflow tank, Harrison re-mounts that by simply marking the holes, drilling the inner fender and uses the factory bolt and u-nut to remount the reservoir.



**22.** Moving to the driver side. The vapor canister needs some slight modifications as well.

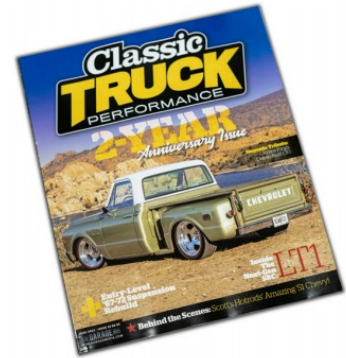
Catch The Article Online



**23.** The canister bracket is marked to be cut as the early model inner fenders interfere with the lower foot on this bracket.



**24.** Using his cut off wheel, Harrison trims the bracket to remove any interference. Just enough to retain structural integrity



**25.** Drill holes as needed to remount the existing harness just like original.



**26.** With the modifications completed, you can see there is so much more room for activities.



27. A quick one day install and the owner will get so many more miles out of these 225/55/18's without the worry of them rubbing. A trip to the local cruise confirms that this conversation is worth the effort.

Sources on IG: @harrisonsrodshop @classic\_truck\_performance @autometaldirect





# NO BORDERS!

## Fesler Flush Mount D.O.T. Glass

currently available for:

- 1969-1981 Chevy Camaros
- 1967-1991 Chevy Trucks
- 1966-1972 Chevy Novas
- 1968-1972 Chevy Chevelles
- 1964-1970 Ford Mustangs
- 1961-1973 Volvo P-1600



## INTERIOR KITS

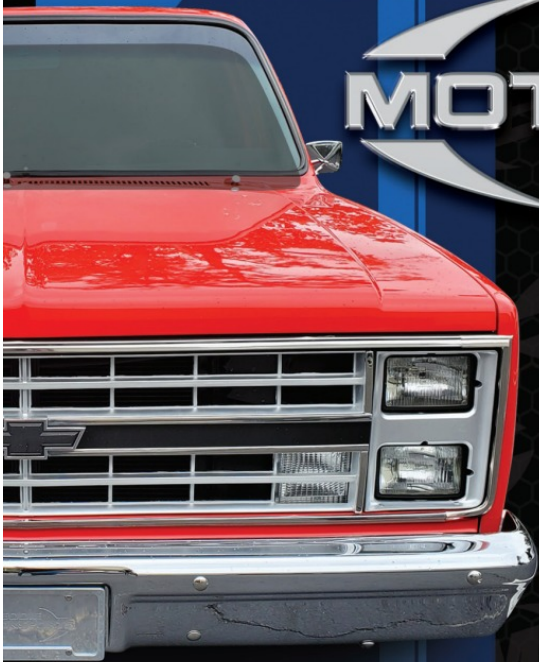
Dash, Seat, Kick Panels, Door Panels, Headliner  
Fesler Billet Interior Handles and Arm Rest



Chevy Trucks 1955-1959, 1967-1972, 1973-1988  
Camaro 1967-1967, 1970-1981 Chevelle 1968-1972 Nova 1966-1972

[www.feslerusa.com](http://www.feslerusa.com) 480-748-2000

# EDDIE MOTORSPORTS



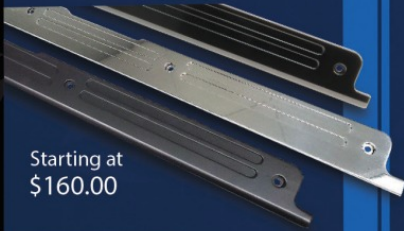
## Hood Hinges



Starting at \$640.00

Eddie Motorsports manufactures hood hinges to fit multiple years of Ford and GM cars and trucks.

## Door Sill Plates



Starting at \$160.00

## Valve Covers



Starting at \$160.95

Available in Short or Tall aluminum covers.

## Door Jam Vents



Starting at \$75.05

Starting at \$118.20

## Battery Boxes



## Taillights and Lights



Starting at \$206.75

Starting at \$387.65

## Air Cleaners



Starting at \$269.10

Starting at \$269.10

## Door Handles



### Interior

Starting at \$83.70

Starting at \$86.10

## Window Cranks



### Exterior

Starting at \$350.70

## Steering Wheels



Available in 14" and 15" diameters.

**10% OFF**

PROMO CODE **AMD23**

**SPECIAL OFFER**

Call: 1-888-813-1293 ▶ Click: [www.EddieMotorsports.com](http://www.EddieMotorsports.com)

Visit: 11479 Sixth St., Rancho Cucamonga, CA 91730

Follow us: [f](#) [You Tube](#) [i](#) /eddiemotorsports





# AFTERMKT ARMOR

## Incredible 2K Protection

Extreme Texture & Color Flexibility



Aftermkt Armor Bedliner will stand up to almost anything you throw at it – guarding your truck bed from scratches, stains, water and corrosion. Even better, it gives you complete control of appearance. Texturize your truck bed from fine to coarse and in whatever color you want!

Ready to protect your truck bed?  
Then you're ready for 2A Aftermkt Armor Bedliner.

To find out more, give us a call at 800.824.2843 or email [info@tat-co.com](mailto:info@tat-co.com).





*Suspension*

*Chassis*



**Engineered  
for Performance,  
Driven  
by Excellence**

**Shop Now! 800-984-6259  
[totalcostinvolved.com](http://totalcostinvolved.com)**



Description	Page	Description	Page	Description	Page
Accelerator Gas Pedal Pad	126	Bumper Bracket Set, Rear	104	Door Lock Knob Ferrule	126
Air Deflector	104	Bumper, Front	104	Door Manual Window Regulator	115
Air Vent Assembly	125	Bumper, Rear	104	Door Mirror Reinforcement Plate	114
Air Vent Outlet	125	Cab & Radiator Core Support Bushings	118	Door Molding, Lower Front	134
A-Pillar Panel, Lower	127	Cab & Radiator Mount	119	Door Molding, Lower Rear	134
A-Pillar Panel, Upper	127	Cab Corner Molding	134	Door Molding, Upper Front	134
A-Pillar, Inner	116	Cab Corner, Inner	117	Door Molding, Upper Rear	134
Auxiliary Battery Support Assembly	111	Cab Corner, Outer	117	Door Power Window Regulator, Front	115
Back Glass	120	Cab Corner, Outer	117	Door Pressure Relief Valve	114
Back Glass Gasket	120	Cab Floor Half, Front	117	Door Pull Strap Cover, Front	126
Back-Up Lamp Assembly	133	Cab Floor Support	119	Door Pull Strap Reinforcement Bracket	126
Back-Up Lamp Lens	133	Cab Mount	119	Door Pull Strap, Front	126
Ball End Hook Tool for Glass Gasket	121	Cab Mount Bushing Kit	119	Door Seal Kit, Front	121
Battery Clamp	111	Cab Panel, Back	116	Door Seal Kit, Rear Side	121
Battery Retainer Hold Down	111	Cab Support, Front	119	Door Seal on Door, Upper Front	121
Battery Tray	111	Cab Window Panel, Inner Back	116	Door Shell, Front	114
Battery Tray Assembly	111	Coolant Overflow Bottle	112	Door Sill Plate	127
Battery Tray Hanger Support	111	Cowl Air Vent, Lower	116	Door Sill Plates	127
Bed Cross Sill, Stepside	129	Cowl Side	116	Door Skin, Lower Front	114
Bed Floor Assembly, Fleetside	131	Cowl Vent Panel	109	Door Striker with Silencer	115
Bed Floor Repair Panel	132	Cowl Vent Screen	109	Door Surround Frame	116
Bed Molding, Lower Front	135	Cowl with Windshield Frame, Upper	116	Door Upper Trim Panel	127
Bed Molding, Lower Rear	135	Cross Rail	132	Door Weatherstrip on Cab	116
Bed Molding, Upper	135	Dash Air Vent Adapter	125	Drip Rail Molding	116
Bed Reinforcement Strip, Stepside	129	Dash Air Vent Outlet	125	Fan Shroud	109
Bed Step Hanger, Stepside	129	Dash Bezel	124	Fan Shroud, Lower	109
Bed Step, Stepside	129	Dash Bezel Trim	124	Fan Shroud, Upper	109
Bed to Frame Mounting Kit, Fleetside	131	Dash Emblem	136	Fender Brace, Rear Stepside	129
Bed Wheelhouse Hardware Kit, Fleetside	131	Dash Pad Mounting Clip	125	Fender Emblems	137
Bed Wheelhouse, Fleetside	131	Defrost Vent	125	Fender Emblems, Front	137
Bedside Corner, Rear	132	Door Beltline Window Weatherstrip	121	Fender Lower Rear Repair Panel	105
Bedside Repair Panel, Lower Front	132	Door Beltline Window Felts, Front	121	Fender Lower Rear Splash Shield	105
Bedside Repair Panel, Lower Rear	132	Door Bottom Repair Panel, Inner Front	114	Fender Molding, Lower	105
Bedside Splash Shield, Lower Rear	132	Door Glass Channel Guide, Front	121	Fender Molding, Upper	105
Bedside, Fleetside	131	Door Glass Run Window Channel Seal	121	Fender to Cowl Seal, Front	105
Body Side Emblems, Rear	137	Door Glass Run, Front	121	Fender, Front	105
Bowtie Rally Wheel Cap Insert	136	Door Glass Sash Channel	121	Fender, Inner	105
Brake Booster Dash Reinforcement Panel	116	Door Glass, Front	120	Fender, Rear Stepside	129
Brake Light Switch Retainer	126	Door Handle & Lock Gasket Set	115	Firewall	116
Brushed Aluminum Inserts	124	Door Handle, Interior	115	Floor Pan Assembly	117
Bumper Bolt Kit, Front	104	Door Handle, Outside	115	Floor Pan Heat Shield	119
Bumper Bolt Kit, Rear	104	Door Hinge Pin Kit	115	Footwell (Kick Panel)	117
Bumper Brace, Inner Front	104	Door Hinge Spring, Upper	115	Frame to Radiator Support Bracket	113
Bumper Brace, Outer Front	104	Door Hinge, Lower	115	Front Bed Panel, Fleetside	131
Bumper Bracket Set, Front	104	Door Hinge, Upper	115		
		Door Latch Assembly	115		

## INDEX

Description	Page	Description	Page	Description	Page
Gas Tank	128	Hood Scoop	110	Tail Lamp Lens Gaskets	133
Gas Tank Filler Door, Fleetside	131	Hood Side Bumper	110	Tailgate Band	137
Gas Tank Selector Switch	128	Hood to Cowl Seal	109	Tailgate Chain Covers, Stepside	129
Gas Tank Sending Unit, Driver Side	128	Horn Button	124	Tailgate Chain, Stepside	129
Gas Tank Sending Unit, Passenger Side	128	Ignition Lock Cylinder	126	Tailgate Component Kit, Fleetside	131
Gas Tank Straps	128	Kick Panel	127	Tailgate Emblem	137
Gas Tank Support Bracket	128	Kick Panel Air Vent Baffle	127	Tailgate Handle, Fleetside	131
Gauge Lens	124	Kick Panel Air Vent Pull Rod	127	Tailgate Hinge Link, Fleetside	131
Glass Seal Rope-In Tool	121	License Plate Bracket Bolt Set, Rear	104	Tailgate Latch, Fleetside	131
Glass Upper Trim Panel, Inner Back	127	License Plate Bracket, Rear	104	Tailgate Moldings	135
Glove Box Door	123	License Plate Lamp Assembly	104	Tailgate Post	132
Glove Box Door Bumpers	123	Master Body Hardware Kit	108	Tailgate Rod Set, Fleetside	131
Glove Box Liner	123	Outer Door Mirror, Large Style	114	Tailgate, Fleetside	131
Grille	106	Outer Door Mirror, Small Style	114	Tailgate, Stepside	129
Grille Attachment Nut	107	Park Lamp Assembly	133	Taillight Lens	133
Grille Emblem	136	Park Lamp Housing	107	Tool For Inserting Lockstrip Into Glass Seal	121
Grille Hardware Kit	107	Park Lamp Lens	133	Transmission Cover	117
Grille Molding	108	Park Lamp Lens Gaskets	107	Turn Signal Lever	123
Grille Molding, Inner	108	Park Lamp Mounting Kit	107	Turn Signal Switch	123
Grille Molding, Outer Side	108	Parking Brake Pedal Assembly	126	Vent Glass	122
Grille Mounting Brackets	112	Parking Brake Pedal Pad	126	Vent Window Handle	122
Grille Mounting Panel, Upper	112	Parking Brake Release Handle	126	Vent Window Post Liner Seal	122
Grille Panel Bracket, Lower	112	Pillar Cover, Rear	127	Vent Window Rebuild Kit	122
Grille Panel Hardware Kit	112	Power Door Lock Switch	115	Vent Window Seal	122
Grille Panel, Lower	112	Power Window Switch	115	Vent Window Vertical Rear Seal	122
Grille Support Bracket to Core Support	112	Premium Radiator Support	112	Vent Window Weatherstrip Set	122
Headlamp Adjuster Kit	107	Radiator Mounting Panel	112	Weatherstrip Gasket Removal Stick	121
Headlamp Bezel	107	Radiator Overflow Bottle Cap	112	Weatherstrip Kit	122
Headlamp Bezel Hardware Set	107	Radiator Support	113	Wheel Arch Repair Panel, Upper	132
Headlamp Switch	123	Radiator Support Bracket, Upper	113	Wheel Opening Molding	134
Headlamp Switch Rod and Knob	123	Radiator Support Bushing Kit	113	Wheel Opening Molding Screws Set	134
Hood	110	Radiator Support Panel, Upper	112	Wheel Well, Inner Rear	132
Hood Adjustment Bumper Set	110	Radio Control Knobs	126	Wheel Well, Inner Rear	132
Hood Catch & Support Hardware Kit	111	Rear Tail Pan / Cross Rail Assembly	131	Window & Door Handle Removal Tool	115
Hood Catch Assembly	111	Rocker Panel Backing Plate	117	Window Crank Handle	115
Hood Hinge	110	Rocker Panel, Inner	117	Window Gasket Lock Strip, Rear	120
Hood Hinge Deflector Seal	110	Rocker Panel, Outer	117	Window Regulator	115
Hood Hinge Springs	110	Roof Panel, Inner	116	Window Regulator Roller & Rivet	115
Hood Latch	111	Roof Skin	116	Windshield	120
Hood Latch Catch Support Bracket	112	Side Door Skin, Lower Rear	114	Windshield Gasket	120
Hood Latch Release Cable Assembly	111	Side Marker, Front	133	Windshield Gasket Lockstrip	120
Hood Latch Support	111	Steering Column Cover, Upper	123	Windshield Upper Trim Panel, Inner	127
Hood Latch Support Hardware Kit	111	Tail Lamp Assembly	133	Wiper Arm	109
Hood Pop-up Spring	111	Tail Lamp Lens	133	Wiper Switch	123



VISIT US ONLINE FOR THE MOST UP-TO-DATE PRICING AND SELECTION

## FRONT BUMPER



1



2



3



4

5

6



7



8

#	YEAR	MAKE	DESCRIPTION	MODEL	PART #
1	73-80	Chevy/GMC	Chrome w/o Impact Strip Holes	TRK	100-4073
	81-82	Chevy/GMC	Chrome w/o Impact Strip Holes	TRK	100-4081-1
	81-82	Chevy/GMC	Chrome w/ Impact Strip Holes	TRK	100-4081-2
	83-91	Chevy/GMC	Chrome w/o Impact Strip Holes	TRK/SUV	100-4083-1
	83-91	Chevy/GMC	Chrome w/ Impact Strip Holes	TRK/SUV	100-4083-2
2	73-80	Chevy/GMC	Bumper Bolt Kit - 24pcs	TRK/SUV	101-4067-S
3	81-91	Chevy/GMC	Bumper Bolt Kit - 32pcs	TRK/SUV	101-4081-S
4	73-80	Chevy/GMC	Bumper Bracket Set w/Hardware	TRK/SUV	105-4073-S
5	81-91	Chevy/GMC	Inner Bumper Brace - LH	TRK/SUV	X105-4081-1L
	81-91	Chevy/GMC	Inner Bumper Brace - RH	TRK/SUV	X105-4081-1R
6	81-91	Chevy/GMC	Outer Bumper Brace - LH	TRK/SUV	X105-4081-2L
	81-91	Chevy/GMC	Outer Bumper Brace - RH	TRK/SUV	X105-4081-2R
7	81-91	Chevy/GMC	Air Deflector - 2WD	TRK/SUV	X127-4081-1
8	81-91	Chevy/GMC	Air Deflector - 2WD C20, C30	TRK/SUV	X127-4081-34
	81-91	Chevy/GMC	Air Deflector - 4WD	TRK/SUV	X127-4081-34

## REAR BUMPER



1



VISIT US ONLINE FOR THE MOST UP-TO-DATE PRICING AND SELECTION



5



2



3



4



6



7



8

#	YEAR	MAKE	DESCRIPTION	MODEL	PART #
1	73-87	Chevy/GMC	Chrome w/o Impact Strip Holes - Stepside	TRK	990-4067-2
	73-80	Chevy/GMC	Chrome w/o Impact Strip Holes - Fleetside	TRK/SUV	990-4073-1
	81-91	Chevy/GMC	Chrome w/o Impact Strip Holes - Fleetside	TRK/SUV	990-4081-1
	83-91	Chevy/GMC	Chrome w/ Impact Strip Holes - Fleetside	TRK/SUV	990-4081-2
2	73-80	Chevy/GMC	Bumper Bracket Set - Fleetside	TRK/SUV	970-4073-S
3	81-91	Chevy/GMC	Bumper Bracket Set - Fleetside	TRK/SUV	970-4081-S
4	73-91	Chevy/GMC	Bumper Bolt Kit - 24pcs	TRK/SUV	991-4073-S
5	73-91	Chevy/GMC	License Plate Bracket - Black	TRK/SUV	945-4067
6	73-91	Chevy/GMC	License Plate Bracket - Chrome	TRK/SUV	945-4067-C
7	73-91	Chevy/GMC	License Plate Bracket Bolt Set	TRK/SUV	X945-4067-S
8	73-91	Chevy/GMC	License Plate Lamp Assembly	TRK/SUV	X946-4067

## FRONT FENDERS



WWW  
VISIT US ONLINE FOR THE MOST  
UP-TO-DATE PRICING AND SELECTION



1



2



3



6



4



5



7

#	YEAR	MAKE	DESCRIPTION	MODEL	PART #
1	73-80	Chevy/GMC	Fender - LH	TRK/SUV	X200-4073-L
	73-80	Chevy/GMC	Fender - RH	TRK/SUV	X200-4073-L
2	81-91	Chevy/GMC	Fender - LH	TRK	X200-4081-L
	81-91	Chevy/GMC	Fender - RH	TRK	X200-4081-R
3	87-91	Chevy/GMC	Fender - LH	SUV	X200-4081-L
	87-91	Chevy/GMC	Fender - RH	SUV	X200-4081-R
4	73-91	Chevy/GMC	Lower Repair Panel - LH	TRK/SUV	205-4073-L
	73-91	Chevy/GMC	Lower Repair Panel - RH	TRK/SUV	205-4073-R
5	73-80	Chevy/GMC	Inner Fender - LH	TRK/SUV	X250-4073-L
	73-80	Chevy/GMC	Inner Fender - RH	TRK/SUV	X250-4073-R
6	81-91	Chevy/GMC	Inner Fender - LH	TRK/SUV	X250-4081-L
	81-91	Chevy/GMC	Inner Fender - RH	TRK/SUV	X250-4081-R
7	81-91	Chevy/GMC	Fender To Cowl Seal - LH	TRK/SUV	251-4081-2L
	81-91	Chevy/GMC	Fender To Coal Seal - RH	TRK/SUV	251-4081-2R
7	81-91	Chevy/GMC	Lower Rear Splash Shield - LH	TRK/SUV	251-4081-3L
	81-91	Chevy/GMC	Lower Rear Splash Shield - LH	TRK/SUV	251-4081-3L



## GRILLES



**1**  
gm restoration



**2**  
gm restoration



**3**  
gm restoration



**4**  
gm restoration



**5**  
gm restoration



**6**  
gm restoration



**7**  
gm restoration



**8**  
gm restoration



**9**  
gm restoration



**10**  
gm restoration



**11**  
gm restoration



**12**  
gm restoration



**13**  
gm restoration



**14**  
gm restoration



**15**



VISIT US ONLINE FOR THE MOST UP-TO-DATE PRICING AND SELECTION

#	YEAR	MAKE	DESCRIPTION	MODEL	PART #
1	73-74	Chevy	Foil Bowtie Emblem - Argent Gray	TRK/SUV	150-4073-1
2	73-74	Chevy	Foil Bowtie Emblem - Chrome	TRK/SUV	150-4073-2
3	75-76	Chevy	Foil Bowtie Emblem - Argent Gray	TRK/SUV	150-4075-2
4	77-79	Chevy	Foil Bowtie Emblem - Black	TRK/SUV	150-4077-1
5	77-79	Chevy	Foil Bowtie Emblem - Argent Gray	TRK/SUV	150-4077-2
6	80	Chevy	Foil Bowtie Emblem - Argent Gray	TRK/SUV	150-4080-1
7	80	Chevy	Foil Bowtie Emblem - Chrome	TRK/SUV	150-4080-2
8	81-82	Chevy	Emblem Mount - Chrome	TRK/SUV	150-4081-11
9	81-82	Chevy	Emblem Mount - Argent Gray	TRK/SUV	150-4081-12
10	83-84	Chevy	Emblem Mount - Argent Gray	TRK/SUV	150-4083-11
11	83-84	Chevy	Emblem Mount - Dark Gray - Dual Headlight	TRK/SUV	150-4083-21
12	85-88	Chevy	Emblem Mount - Argent Gray - Single Headlight	TRK/SUV	150-4085-11
13	85-88	Chevy	Emblem Mount - Argent Gray - Dual Headlight	TRK/SUV	150-4085-22
14	89-91	Chevy	Emblem Mount - Chrome/Dark Gray - Dual Headlight	One Ton	150-4389-4
15	85-88	GMC	Emblem Mount - Argent Gray - Dual Headlight	TRK/SUV	X150-4985

## HEADLAMP



1



2



3



4



5



6



7



8



9



10



11



12



13



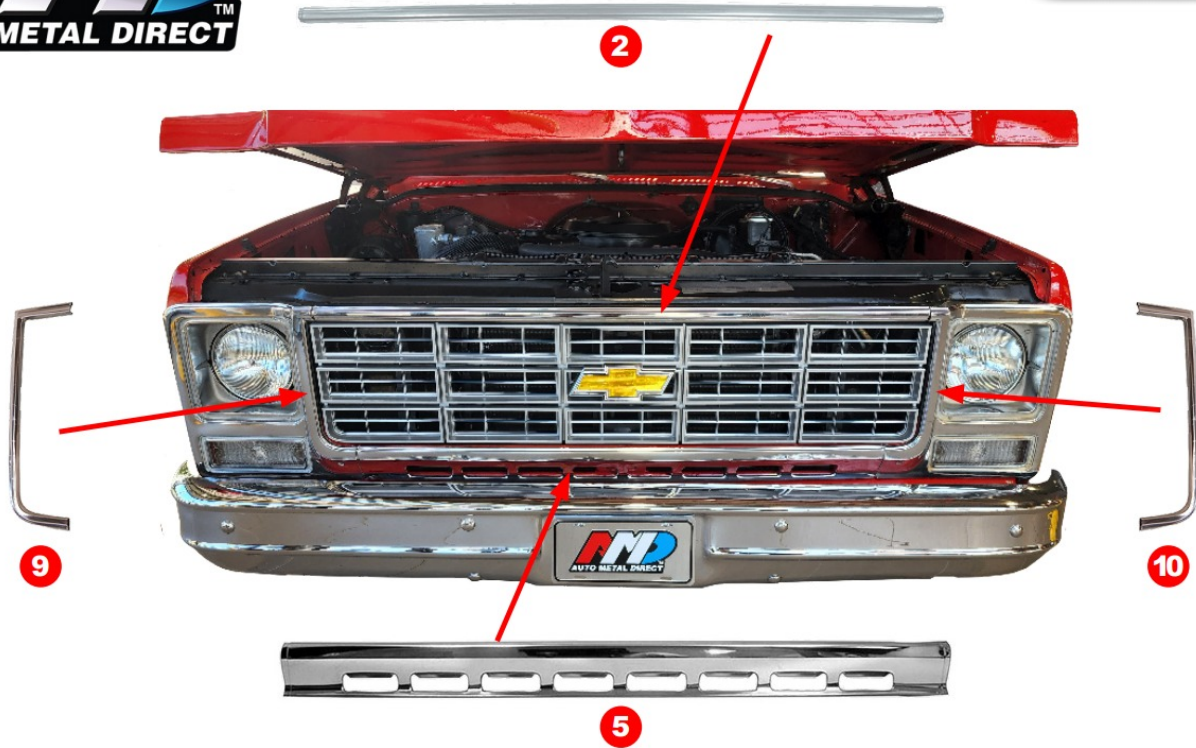
14

#	YEAR	MAKE	DESCRIPTION	MODEL	PART #
1	73-78	Chevy/GMC	Bezel - Chrome/Dark Gray - LH	TRK/SUV	X145-4073-L
	73-87	Chevy/GMC	Bezel - Chrome/Dark Gray - RH	TRK/SUV	X145-4073-R
2	79-80	Chevy/GMC	Bezel - Chrome/Dark Gray - Round Light - LH	TRK/SUV	X145-4079-2L
	79-80	Chevy/GMC	Bezel - Chrome/Dark Gray - Round Light - RH	TRK/SUV	X145-4079-2R
3	80	Chevy/GMC	Bezel - Chrome - Square Light - LH	TRK/SUV	X145-4080-3L
	80	Chevy/GMC	Bezel - Chrome - Square Light - RH	TRK/SUV	X145-4080-3R
4	83-84	Chevy/GMC	Bezel - Gray - Single Light - LH	TRK/SUV	X145-4083-1L
	83-84	Chevy/GMC	Bezel - Gray - Single Light - RH	TRK/SUV	X145-4083-1R
5	83-84	GMC	Bezel - Dark Gray/Gray - Dual Light - LH	TRK/SUV	X145-4083-3L
	83-84	GMC	Bezel - Dark Gray/Gray - Dual Light - RH	TRK/SUV	X145-4083-3R
6	85-88	Chevy/GMC	Bezel - Gray - Dual Light - LH	TRK/SUV	X145-4085-3L
	85-88	Chevy/GMC	Bezel - Gray - Dual Light - RH	TRK/SUV	X145-4085-3R
7	89-91	Chevy	Bezel - Chrome/Dark Gray - Dual Light - LH	TRK/SUV	145-4389-4L
	89-91	Chevy	Bezel - Chrome/Dark Gray - Dual Light - RH	TRK/SUV	145-4389-4R
8	73-80	Chevy/GMC	Park Lamp Housing w/Gasket - LH or RH	TRK/SUV	133-4073
9	73-80	Chevy/GMC	Park Lamp Mounting Kit - 8pcs	TRK/SUV	X133-4073-IS
10	73-80	Chevy/GMC	Park Lamp Lens Gaskets - Pair	TRK/SUV	134-4073-P
11	73-80	Chevy/GMC	Headlamp Adjuster Kit - 10pcs	TRK/SUV	X142-4073-S
12	73-78	Chevy/GMC	Headlamp Bezel Hardware Set - 20pcs	TRK	X144-4073-S
13	73-80	Chevy/GMC	Grille Hardware Kit - 12pcs	TRK/SUV	X153-4073-S
14	73-80	Chevy/GMC	Grille Attachment Nut	TRK/SUV	X153-4073-I



VISIT US ONLINE FOR THE MOST UP-TO-DATE PRICING AND SELECTION





## GRILLE MOLDINGS



VISIT US ONLINE FOR THE MOST UP-TO-DATE PRICING AND SELECTION

#	YEAR	MAKE	DESCRIPTION	MODEL	PART #
1	73-78	Chevy/GMC	Upper	TRK/SUV	X155-4073-1
2	79-80	Chevy/GMC	Upper	TRK/SUV	X155-4079-1
3	81-82	Chevy/GMC	Upper	TRK/SUV	X155-4081-1
4	73-78	Chevy/GMC	Lower	TRK/SUV	X155-4073-2
5	79-80	Chevy/GMC	Lower	TRK/SUV	X155-4079-2
6	81-82	Chevy/GMC	Lower	TRK/SUV	X155-4081-2
7	81-82	Chevy/GMC	Outer Side, On Fender - LH	TRK/SUV	X155-4081-L
8	81-82	Chevy/GMC	Outer Side, On Fender - RH	TRK/SUV	X155-4081-R
9	83-88	Chevy/GMC	Outer Side, On Fender - LH	TRK/SUV	155-4083-L
10	83-88	Chevy/GMC	Outer Side, On Fender - RH	TRK/SUV	155-4083-R
11	85-87	Chevy/GMC	Inner - Upper - Dual Light - LH or RH	TRK/SUV	155-4085-3
12	85-87	Chevy/GMC	Inner - Lower - Dual Light - LH or RH	TRK/SUV	155-4085-4

## HARDWARE KITS

Every Squarebody Master Body Kit includes the following individually packaged hardware component kits:

- Battery Tray
- Bed Floor
- Bed Panel - Front
- Door Handles - Exterior
- Door Hinges
- Door Latches
- Fenders
- Front Bumper
- Front Bumper Brackets
- Grille
- Grille Brackets
- Grille Emblem
- Grille Panels - Upper & Lower
- Headlamp Adjusters
- Headlamp Bezels
- Hood
- Hood Catch & Support
- Hood Catch Support Striker
- Hood Hinges
- Hood Levelers
- Inner Front Fenders
- Parking Lamp Housings
- Rear Bumper
- Rear Gravel Deflectors
- Side Marker Lamps
- Tail Light & Lens (1)
- Tailgate Bumpers - Upper
- Tailgate Handle
- Tailgate Latches
- Tailgate Links & Trunnions

#	YEAR	MAKE	DESCRIPTION	MODEL	PART #
1	73-78	Chevy/GMC	Master Body Hardware Kit - Fleetside	TRK	H-73KB-F
2	79-80	Chevy/GMC	Master Body Hardware Kit - Fleetside	TRK	H-79KB-F



## FAN SHROUD



1



2

3



4

5



VISIT US ONLINE FOR THE MOST UP-TO-DATE PRICING AND SELECTION



#	YEAR	MAKE	DESCRIPTION	MODEL	PART #
1	73-91	Chevy/GMC	Fan Shroud - 1 Piece for 454	TRK/SUV	X355-4078-1
2	76-80	Chevy/GMC	Upper Fan Shroud - w/o AC	TRK/SUV	X355-4076-2
3	76-80	Chevy/GMC	Lower Fan Shroud - w/o AC	TRK/SUV	X355-4076-1
4	81-91	Chevy/GMC	Upper Fan Shroud - w/o AC	TRK/SUV	X355-4081-2
5	81-91	Chevy/GMC	Lower Fan Shroud - w/ or w/o AC	TRK/SUV	X355-4081-1

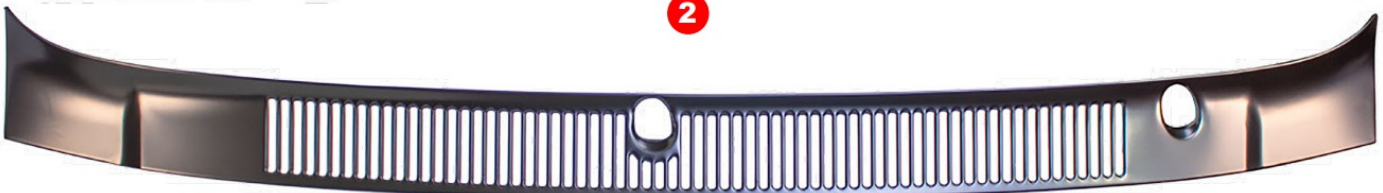
## COWL & WIPERS



1



2



3



4



5



6



7



8



VISIT US ONLINE FOR THE MOST UP-TO-DATE PRICING AND SELECTION



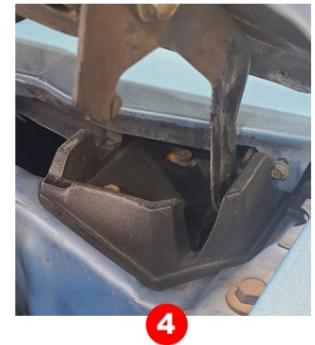
#	YEAR	MAKE	DESCRIPTION	MODEL	PART #
1	73-80	Chevy/GMC	Vent Screen	TRK/SUV	360-4073-2
2	81-91	Chevy/GMC	Vent Screen	TRK/SUV	360-4081-2
3	81-91	Chevy/GMC	Vent Panel	TRK/SUV	371-4081
4	73-80	Chevy/GMC	Hood To Cowl Seal	TRK/SUV	X363-4073
5	81-91	Chevy/GMC	Hood To Cowl Seal	TRK/SUV	X363-4081
6	73-84	Chevy/GMC	Wiper Arm - Silver	TRK/SUV	X382-4073-1
7	73-84	Chevy/GMC	Wiper Arm - Black	TRK/SUV	X382-4073-1B
8	85-91	Chevy/GMC	Wiper Arm - Black w/ Nozzle	TRK	X382-4085-1

## HOODS



#	YEAR	MAKE	DESCRIPTION	MODEL	PART #
1	73-78	Chevy/GMC	Hood - OE Style	TRK/SUV	300-4073-1
	79-80	Chevy/GMC	Hood - OE Style	TRK/SUV	300-4079-1
	81-91	Chevy/GMC	Hood - OE Style	TRK/SUV	300-4081-1
2	73-80	Chevy/GMC	Hood - 2" Raised Cowl	TRK/SUV	300-4073-2
	81-91	Chevy/GMC	Hood - 2" Raised Cowl	TRK/SUV	300-4081-2
	81-91	Chevy/GMC	Hood - 4" Raised Cowl	TRK/SUV	300-4081-4
3	73-91	Chevy/GMC	2" Raised Scoop (Universal)	TRK/SUV	301-SCOOP-1
4	73-91	Chevy/GMC	4" Raised Scoop (Universal)	TRK/SUV	301-SCOOP-2
5	73-81	Chevy/GMC	Hood Adjustment Bumper Set - 4pcs	TRK/SUV	X305-4073-2S
6	80-91	Chevy/GMC	Hood Adjustment Bumper	TRK/SUV	305-4082-1
7	81-91	Chevy/GMC	Hood Side Bumper	TRL/SUV	K-12337985

## HOOD HINGES



VISIT US ONLINE FOR THE MOST UP-TO-DATE PRICING AND SELECTION



#	YEAR	MAKE	DESCRIPTION	MODEL	PART #
1	73-80	Chevy/GMC	Hood Hinge - LH	TRK/SUV	X310-4073-L
	73-80	Chevy/GMC	Hood Hinge - RH	TRK/SUV	X310-4073-R
2	81-91	Chevy/GMC	Hood Hinge - LH	TRK/SUV	X310-4081-L
	81-91	Chevy/GMC	Hood Hinge - RH	TRK/SUV	X310-4081-R
3	73-80	Chevy/GMC	Hood Hinge Spring - Pair	TRK/SUV	311-4073-P
4	81-91	Chevy/GMC	Hood Hinge Deflector Seal - LH	TRK/SUV	312-4081-IL
	81-91	Chevy/GMC	Hood Hinge Deflector Seal - RH	TRK/SUV	312-4081-IR

## HOOD LATCHES



1



2



3



4



5



6



7



8



9



10



11



12



VISIT US ONLINE FOR THE MOST UP-TO-DATE PRICING AND SELECTION



#	YEAR	MAKE	DESCRIPTION	MODEL	PART #
1	73-74	Chevy	Catch Assembly	TRK/SUV	303-4073
2	73-76	GMC	Catch Assembly	TRK/SUV	303-4073
3	75-76	Chevy	Catch Assembly	TRK/SUV	303-4075
4	77-80	Chevy/GMC	Catch Assembly w/o Inside Hood Release	TRK/SUV	303-4077-1
5	77-80	Chevy/GMC	Catch Assembly w/ Inside Hood Release	TRK/SUV	303-4077-2
6	77-80	Chevy/GMC	Latch w/ Inside Hood release	TRK/SUV	X303-4077
7	81-91	Chevy/GMC	Latch	TRK/SUV	X303-4081-1
8	73-80	Chevy/GMC	Latch Support w/o Inside Hood Release	TRK/SUV	303-4067-3
9	77-80	Chevy/GMC	Pop-Up Spring	TRK/SUV	303-4073-3
10	77-91	Chevy/GMC	Latch Release Cable Assembly	TRK/SUV	X306-4077
11	73-78	Chevy/GMC	Catch & Support Hardware Kit - 6pcs	TRL/SUV	X326-4073-S

## BATTERY TRAY



1



2



3



4



5



6



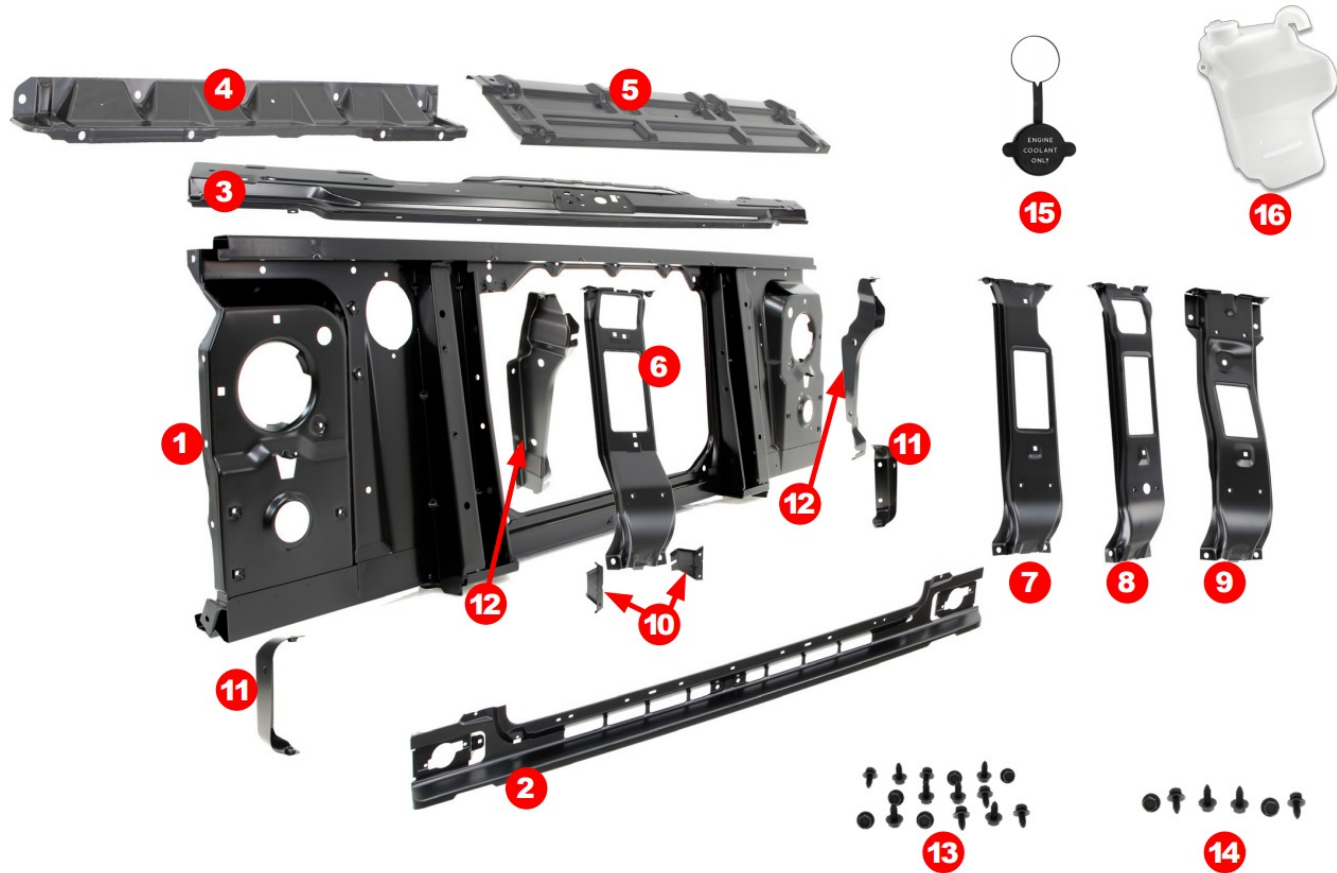
VISIT US ONLINE FOR THE MOST UP-TO-DATE PRICING AND SELECTION



#	YEAR	MAKE	DESCRIPTION	MODEL	PART #
1	73-80	Chevy/GMC	Battery Tray	TRK/SUV	340-4073
2	73-80	Chevy/GMC	Battery Tray Hanger Support	TRK/SUV	341-4073-1
3	73-80	Chevy/GMC	Auxiliary Battery Support Assembly	TRK/SUV	341-4073-2
4	73-80	Chevy/GMC	Battery Clamp	TRK/SUV	341-3466
5	81-91	Chevy/GMC	Battery Tray Assembly w/ Support	TRK/SUV	340-4081-S
6	81-91	Chevy/GMC	Battery Retainer Hold Down	TRK/SUV	X341-4081



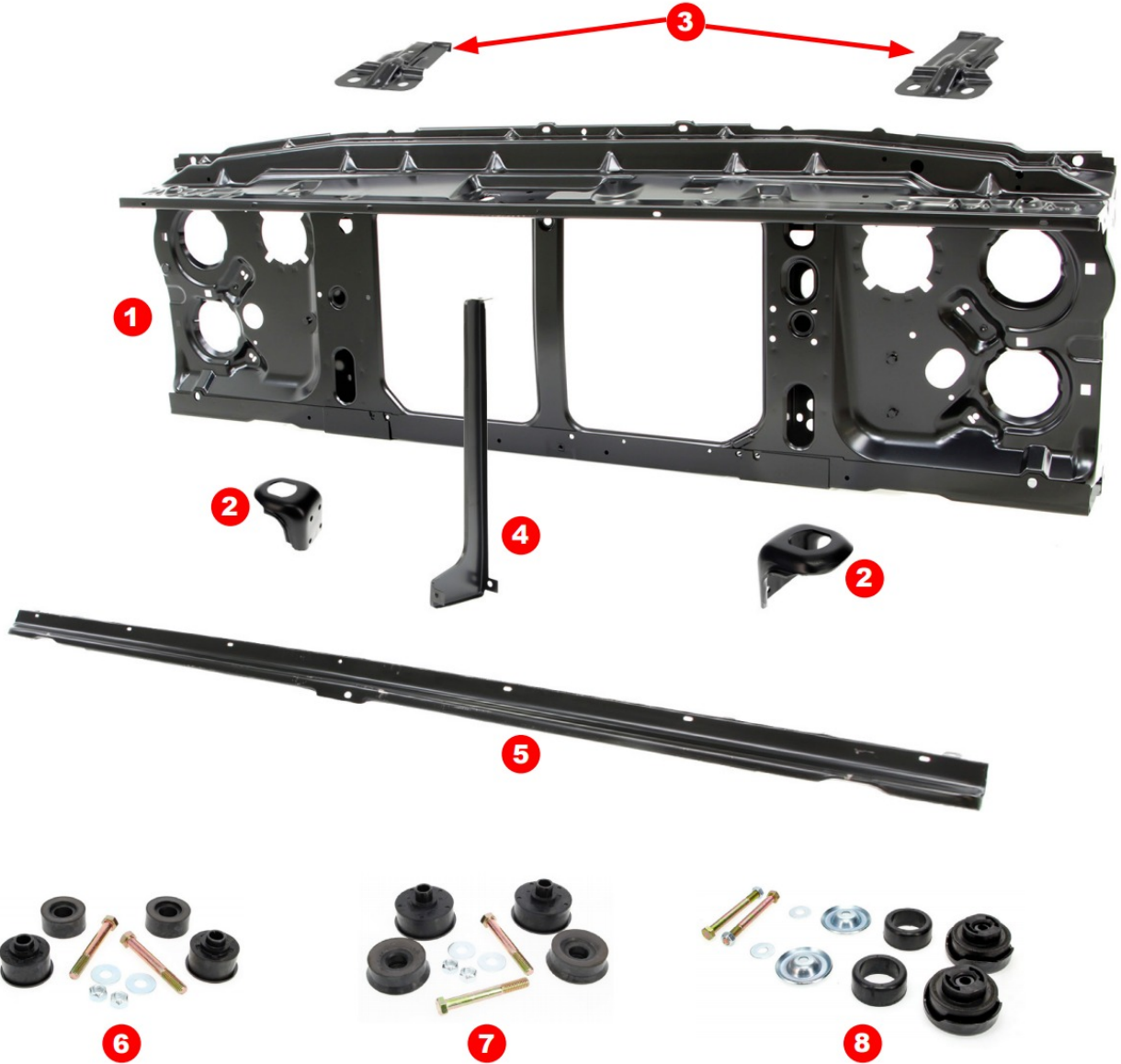
## RADIATOR SUPPORT 73-80



VISIT US ONLINE FOR THE MOST UP-TO-DATE PRICING AND SELECTION

#	YEAR	MAKE	DESCRIPTION	MODEL	PART #
1	73-74	Chevy/GMC	Radiator Support	TRK/SUV	350-4073-1
	75-80	Chevy/GMC	Radiator Support - Round Lights	TRK/SUV	350-4075-1
	80	Chevy/GMC	Radiator Support - Square Lights	TRK/SUV	350-4080-1
2	73-80	Chevy/GMC	Lower Grille Panel	TRK/SUV	115-4073
3	73-80	Chevy/GMC	Upper Grille Mounting Panel - w/o Inside Hood Release	TRK/SUV	151-4073-1
	77-80	Chevy/GMC	Upper Grille Mounting Panel - w/ Inside Hood Release	TRK/SUV	151-4077-2
4	73-80	Chevy/GMC	Radiator Mounting Panel	TRK/SUV	349-4073-1
5	73-80	Chevy/GMC	Upper Radiator Support Panel - w/400, 454, Diesel	TRK/SUV	349-4073-2
	78-80	Chevy/GMC	Upper Radiator Support Panel - w/305, 350 w/AT or AC	TRK/SUV	349-4073-2
6	73-74	Chevy	Hood Latch Catch Support Bracket	TRK/SUV	326-4073
	73-76	GMC	Hood Latch Catch Support Bracket	TRK/SUV	326-4073
7	75-76	Chevy	Hood Latch Catch Support Bracket	TRK/SUV	326-4075
8	77-80	Chevy/GMC	Hood Latch Catch Support Bracket - w/o Inside Hood Release	TRK/SUV	326-4077-1
9	77-80	Chevy/GMC	Hood Latch Catch Support Bracket - w Inside Hood Release	TRK/SUV	326-4077-2
10	73-74	Chevy	Grille Mounting Brackets - Pair	TRK/SUV	152-4073-1P
11	73-80	Chevy/GMC	Lower Grille Panel Bracket - LH	TRK/SUV	152-4073-L
	73-80	Chevy/GMC	Lower Grille Panel Bracket - RH	TRK/SUV	152-4073-R
12	75-80	Chevy/GMC	Grille Mounting Bracket - LH	TRK/SUV	152-4075-1L
	75-80	Chevy/GMC	Grille Mounting Bracket - RH	TRK/SUV	152-4075-1R
13	73-80	Chevy/GMC	Grille Panel Hardware Kit - 16pcs	TRK/SUV	X349-4073-S
14	73-80	Chevy/GMC	Grille Support to Core Support hardware Kit - 16pcs	TRK/SUV	X152-4073-S
15	74-84	Chevy/GMC	Radiator Overflow Bottle Cap	TRK/SUV	K-15588032
16	74-80	Chevy/GMC	Radiator Overflow Bottle	TRK/SUV	K-357402

## RADIATOR SUPPORT 81-91



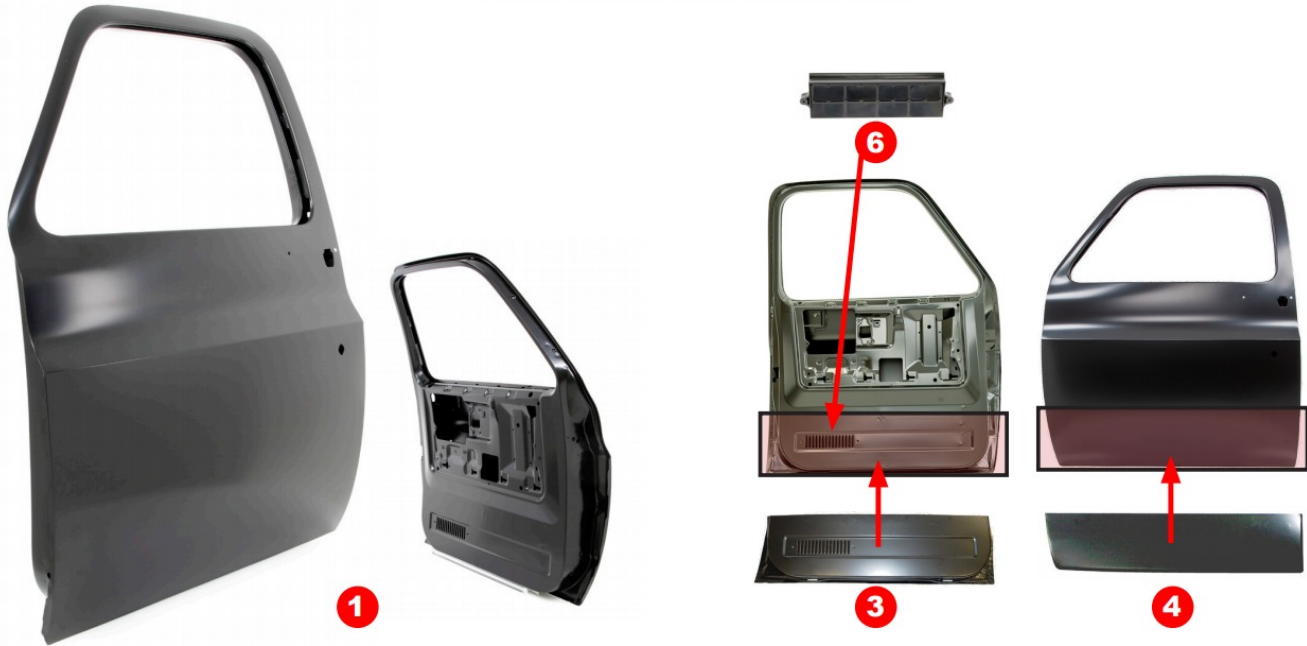
VISIT US ONLINE FOR THE MOST UP-TO-DATE PRICING AND SELECTION

#	YEAR	MAKE	DESCRIPTION	MODEL	PART #
1	81-88	Chevy/GMC	Radiator Support - Single Lights	TRK/SUV	350-4081-1
	81-88	Chevy/GMC	Radiator Support - Dual Lights	TRK/SUV	350-4081-2
2	81-91	Chevy	Frame to Radiator Core Support Mounting Bracket	TRK/SUV	349-4081-2
3	81-91	Chevy/GMC	Upper Radiator Support Bracket - LH	TRK/SUV	349-4081-3L
	81-91	Chevy/GMC	Upper Radiator Support Bracket - RH	TRK/SUV	349-4081-3R
4	81-91	Chevy/GMC	Hood Latch Support	TRK/SUV	326-4081-1
5	81-82	Chevy/GMC	Lower Grille Panel	TRK/SUV	X115-4081
	83-88	Chevy/GMC	Lower Grille Panel	TRK/SUV	X115-4083
6	73-80	Chevy/GMC	Radiator Support Bushing Kit - 10pcs - 2WD	TRK/SUV	347-4073-2S
7	73-80	Chevy/GMC	Radiator Support Bushing Kit - 10pcs - 4WD	TRK/SUV	347-4073-4S
8	81-87	Chevy/GMC	Radiator Support Bushing Kit - 10pcs - 2WD	TRK/SUV	347-4081-2S





## DOORS AND HARDWARE



VISIT US ONLINE FOR THE MOST UP-TO-DATE PRICING AND SELECTION

#	YEAR	MAKE	DESCRIPTION	MODEL	PART #
1	73-76	Chevy/GMC	Door Shell - LH	TRK/SUV	500-4073-1L
	73-76	Chevy/GMC	Door Shell - RH	TRK/SUV	500-4073-1R
2	77-91	Chevy/GMC	Door Shell - LH	TRK/SUV	500-4077-1L
	77-91	Chevy/GMC	Door Shell - RH	TRK/SUV	500-4077-1R
3	73-91	Chevy/GMC	Bottom Inner Repair Panel - w/Louver - LH	TRK/SUV	515-4073-L
	73-91	Chevy/GMC	Bottom Inner Repair Panel - w/Louver - RH	TRK/SUV	515-4073-R
4	73-91	Chevy/GMC	Bottom Outside Repair Panel - LH	TRK/SUV	516-4073-L
	73-91	Chevy/GMC	Bottom Outside Repair Panel - RH	TRK/SUV	516-4073-R
5	73-91	Chevy/GMC	Bottom Rear Side Door Repair	TRK/SUV	516-4073-I
6	73-91	Chevy/GMC	Door Pressure Relief Valve	TRK/SUV	501-4073-I



1



2



3



4

#	YEAR	MAKE	DESCRIPTION	MODEL	PART #
1	73-91	Chevy/GMC	Door Mirror Reinforcement Plate - Sport	TRK/SUV	570-4073-I
	73-91	Chevy/GMC	Door Mirror - Small - Chrome - LH or RH	TRK/SUV	X570-4073-1C
2	73-91	Chevy/GMC	Door Mirror - Large - Chrome - LH or RH	TRK/SUV	X570-4073-C
	73-91	Chevy/GMC	Door Mirror - Large - Stainless - LH or RH	TRK/SUV	X570-4073-SS

1



2



3



4



5



6



7



8



9



10



11



#	YEAR	MAKE	DESCRIPTION	MODEL	PART #
1	73-91	Chevy/GMC	Upper Hinge - LH	TRK/SUV	X520-4073-L
	73-91	Chevy/GMC	Upper Hinge - RH	TRK/SUV	X520-4073-R
2	73-91	Chevy/GMC	Lower Hinge - LH	TRK/SUV	X525-4073-L
	73-91	Chevy/GMC	Lower Hinge - RH	TRK/SUV	X525-4073-R
3	73-91	Chevy/GMC	Upper Hinge Spring - LH	TRK/SUV	X520-4073-1L
	73-91	Chevy/GMC	Upper Hinge Spring - RH	TRK/SUV	X520-4073-1R
4	73-91	Chevy/GMC	Door Hinge Pin Kit	TRK/SUV	521-4067-S
5	73-91	Chevy/GMC	Outside Door Handle - LH	TRK/SUV	X530-4073-L
	73-91	Chevy/GMC	Outside Door Handle - RH	TRK/SUV	X530-4073-R
6	73-91	Chevy/GMC	Handle & Lock Gasket Kit	TRK/SUV	X531-4073-S
7	77-91	Chevy/GMC	Power Door Lock Switch - 3 pin	TRK/SUV	X536-4082-1
8	77-80	Chevy/GMC	Interior Door Handle - LH	TRK/SUV	X540-4078-L
	77-80	Chevy/GMC	Interior Door Handle - RH	TRK/SUV	X540-4078-R
9	81-91	Chevy/GMC	Interior Door Handle - LH	TRK/SUV	X540-4082-L
	81-91	Chevy/GMC	Interior Door Handle - RH	TRK/SUV	X540-4082-R
10	73-82	Chevy/GMC	Latch Assembly - LH	TRK/SUV	K-T70755
	73-82	Chevy/GMC	Latch Assembly - RH	TRK/SUV	K-T70756
	82-91	Chevy/GMC	Latch Assembly - LH	TRK/SUV	K-T70757
	82-91	Chevy/GMC	Latch Assembly - RH	TRK/SUV	K-T70758
11	73-91	Chevy/GMC	Striker w/ Silencer	TRK/SUV	W-271

1



2



3



4



5



6



7



8



9



10



#	YEAR	MAKE	DESCRIPTION	MODEL	PART #
1	77-91	Chevy/GMC	Manual Window Regulator - LH	TRK/SUV	X545-4078-L
	77-91	Chevy/GMC	Manual Window Regulator - RH	TRK/SUV	X545-4078-R
2	82-86	Chevy/GMC	Power Window Regulator w/o Motor - LH	TRK/SUV	X545-4082-1L
	82-86	Chevy/GMC	Power Window Regulator w/o Motor - RH	TRK/SUV	X545-4082-1R
3	74-76	Chevy/GMC	Window Regulator - LH	TRK/SUV	K-T70520
	74-76	Chevy/GMC	Window Regulator - RH	TRK/SUV	K-T70521
4	74-91	Chevy/GMC	Window Regulator Roller & Rivet	TRK	X547-4074-1
5	73-76	Chevy/GMC	Crank Handle - Black Knob	TRK/SUV	W-407
6	77-81	Chevy/GMC	Crank Handle - Clear Knob	TRK/SUV	X546-4097
7	77-80	Chevy/GMC	Crank Handle - Black/Silver	TRK/SUV	X546-4077
8	81-87	Chevy/GMC	Crank Handle - Black Knob	TRK/SUV	X546-4081
9	82-91	Chevy/GMC	Power Window Switch - 2 Button	TRK/SUV	X546-4082-2
10	73-91	Chevy/GMC	Window & Door Handle Removal Tool	TRK/SUV	W-312



VISIT US ONLINE FOR THE MOST UP-TO-DATE PRICING AND SELECTION



WARNING: Cancer and Reproductive Harm - www.P65Warnings.ca.gov

833.404.4443

WWW.AUTOMETALDIRECT.COM

115



## CAB PANELS

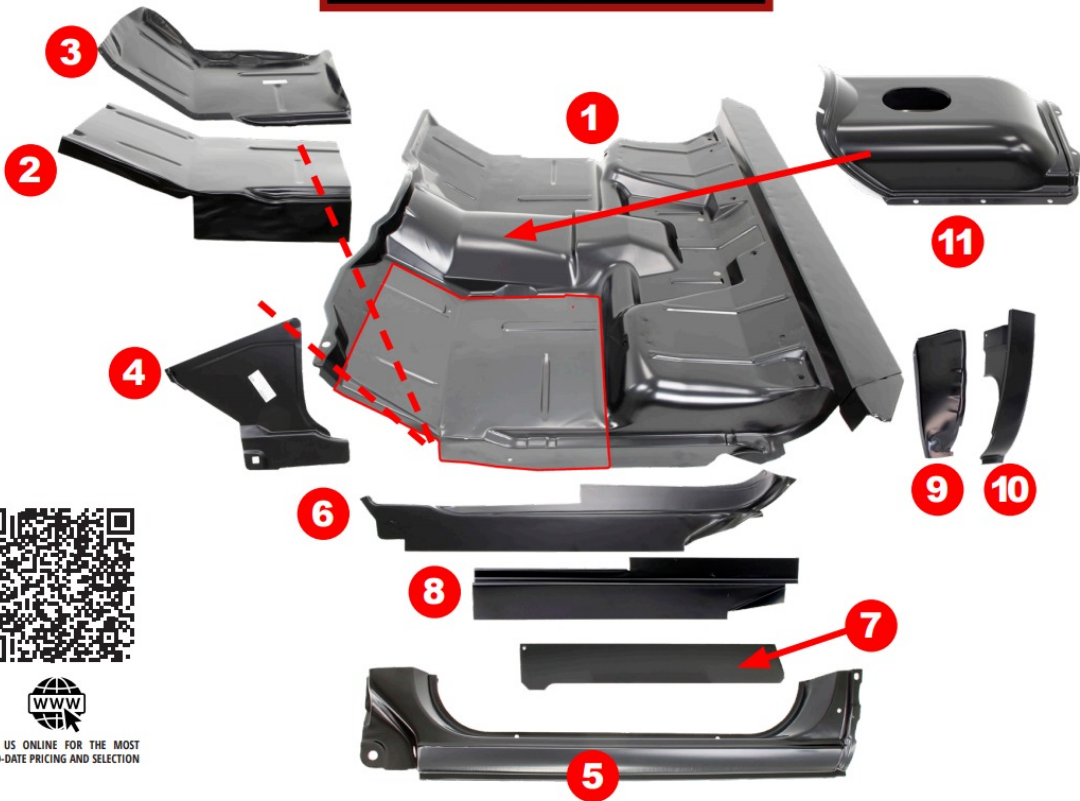


VISIT US ONLINE FOR THE MOST UP-TO-DATE PRICING AND SELECTION

#	YEAR	MAKE	DESCRIPTION	MODEL	PART #
1	73-87	Chevy/GMC	Roof Skin	TRK	600-4073
2	73-87	Chevy/GMC	Inner Roof Panel w/ Lamp Hole	TRK	610-4073-1
3	73-80	Chevy/GMC	Upper Cowl w/ Windshield Frame	TRK/SUV	383-4073-1
	81-91	Chevy/GMC	Upper Cowl w/ Windshield Frame	TRK/SUV	383-4081-1
4	73-87	Chevy/GMC	Firewall w/ AC	TRK	370-4073-2
	73-87	Chevy/GMC	Firewall - Smooth	TRK	370-4073-3
5	73-80	Chevy/GMC	Cowl Side - LH	TRK	376-4073-1L
	73-80	Chevy/GMC	Cowl Side - RH	TRK	376-4073-1R
	81-87	Chevy/GMC	Cowl Side - LH	TRK	376-4081-1L
	81-87	Chevy/GMC	Cowl Side - RH	TRK	376-4081-1R
6	73-91	Chevy/GMC	Lower Cowl Air Vent - LH	TRK/SUV	376-4073-L
	73-91	Chevy/GMC	Lower Cowl Air Vent - RH	TRK/SUV	376-4073-R
7	73-87	Chevy/GMC	Inner A-Pillar - LH	TRK/SUV	375-4073-2L
	73-87	Chevy/GMC	Inner A-Pillar - RH	TRK/SUV	375-4073-2R
8	73-91	Chevy/GMC	Brake Booster Dash Reinforcement Panel	TRK/SUV	471-4073-1
9	73-91	Chevy/GMC	Door Surround Frame - LH	TRK	501-4073-L
	73-91	Chevy/GMC	Door Surround Frame - RH	TRK	501-4073-R
10	73-91	Chevy/GMC	Inner Back Cab Window Panel	TRK	665-4073-1
11	73-91	Chevy/GMC	Back Cab Panel	TRK	665-4073
12	74-91	Chevy/GMC	Drip Rail Molding - Front Door - LH	TRK/SUV	620-4073-L
	74-91	Chevy/GMC	Drip Rail Molding - Front Door - RH	TRK/SUV	620-4073-R
13	74-91	Chevy/GMC	Drip Rail Molding - Front Door - Stainless - LH	TRK	630-4073-L
	74-91	Chevy/GMC	Drip Rail Molding - Front Door - Stainless - RH	TRK	630-4073-R
14	73-91	Chevy/GMC	Door Weatherstrip on Cab - Front Door	TRK/SUV	X580-4073
	73-91	Chevy/GMC	Door Weatherstrip on Cab - Front Door - Pair	TRK/SUV	X580-4073-P
	79-91	Chevy/GMC	Door Weatherstrip on Cab - Rear Door	TRK/SUV	X580-4073-4



## CAB FLOOR



VISIT US ONLINE FOR THE MOST UP-TO-DATE PRICING AND SELECTION



415-4073-M



415-4073-M2



415-4073-4

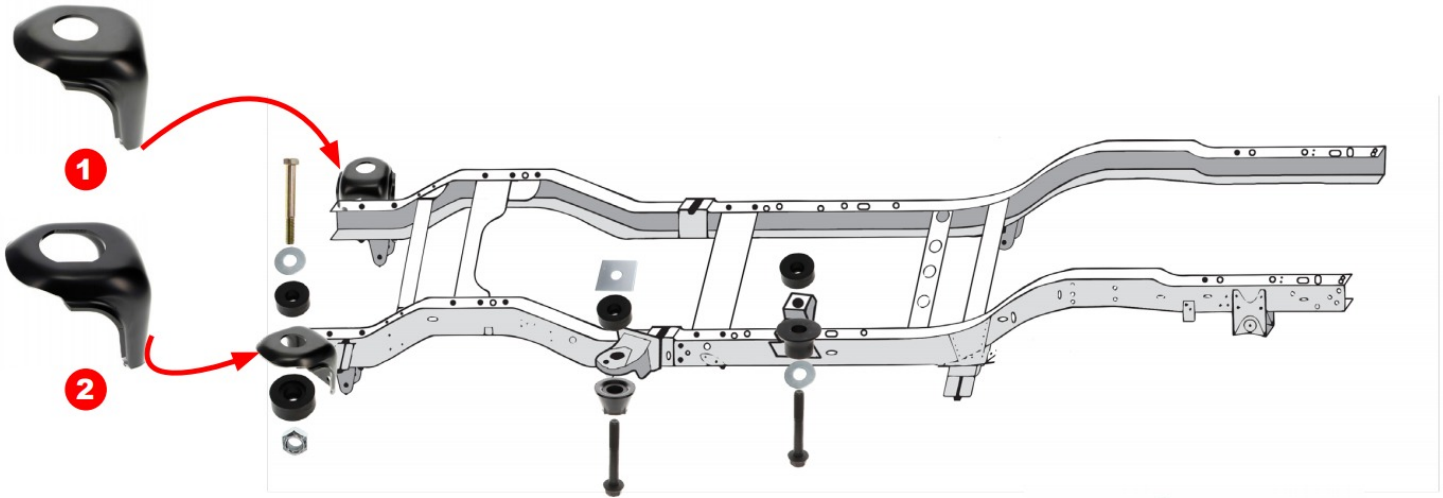


415-4073-41

#	YEAR	MAKE	DESCRIPTION	MODEL	PART #
1	73-87	Chevy/GMC	Floor Pan Assembly	TRK	400-4081
2	73-91	Chevy/GMC	Front Cab Floor Half - LH	TRK/SUV	405-4073-1L
	73-91	Chevy/GMC	Front Cab Floor Half - RH	TRK/SUV	405-4073-1R
3	73-91	Chevy/GMC	Front Cab Floor Half - Drop In - LH	TRK/SUV	405-4073-L
	73-91	Chevy/GMC	Front Cab Floor Half - Drop In - RH	TRK/SUV	405-4073-R
4	73-91	Chevy/GMC	Footwell (Kick Panel) - LH	TRK/SUV	402-4073-L
	73-91	Chevy/GMC	Footwell (Kick Panel) - RH	TRK/SUV	402-4073-R
5	73-91	Chevy/GMC	Outer Rocker Panel - Front Door - LH	TRK/SUV	450-4073-L
	73-91	Chevy/GMC	Outer Rocker Panel - Front Door - RH	TRK/SUV	450-4073-R
	73-91	Chevy/GMC	Outer Rocker Panel - Front/Rear Door - LH	TRK/SUV	450-4073-1L
	73-91	Chevy/GMC	Outer Rocker Panel - Front/Rear Door - RH	TRK/SUV	450-4073-1R
	73-91	Chevy/GMC	Outer Rocker Panel - Rear Door	TRK/SUV	450-4073-I
6	73-91	Chevy/GMC	Inner Rocker Panel - LH	TRK/SUV	406-4073-L
	73-91	Chevy/GMC	Inner Rocker Panel - RH	TRK/SUV	406-4073-R
7	73-91	Chevy/GMC	Rocker Panel Backing Plate	TRK/SUV	440-4073-I
8	73-91	Chevy/GMC	Inner Rocker Panel - Extended - LH	TRK/SUV	440-4073-L
	73-91	Chevy/GMC	Inner Rocker Panel - Extended - RH	TRK/SUV	440-4073-R
9	73-87	Chevy/GMC	Inner Cab Corner - LH	TRK	481-4073-L
	73-87	Chevy/GMC	Inner Cab Corner - RH	TRK	481-4073-R
10	73-87	Chevy/GMC	Outer Cab Corner - Partial - LH	TRK/SUV	480-4073-2L
	73-87	Chevy/GMC	Outer Cab Corner - Partial - RH	TRK/SUV	480-4073-2R
	73-87	Chevy/GMC	Outer Cab Corner - Full - LH	TRK/SUV	480-4073-1L
	73-87	Chevy/GMC	Outer Cab Corner - Full - RH	TRK/SUV	480-4073-1R
11	73-80	Chevy/GMC	Transmission Cover - 4spd Low Hump	TRK	415-4073-M
	73-80	Chevy/GMC	Transmission Cover - 4spd Low Hump w/o Hole	TRK	415-4073-M2
	81-87	Chevy/GMC	Transmission Cover - Low Hump RR 4WD	TRK	415-4073-41
	81-87	Chevy/GMC	Transmission Cover - High Hump FT 4WD	TRK	415-4073-4
	81-87	Chevy/GMC	Transmission Cover - High Hump FT 4WD w/o Hole	TRK	415-4073-42



## CAB & CORE SUPPORT MOUNTING



3



4



5



6



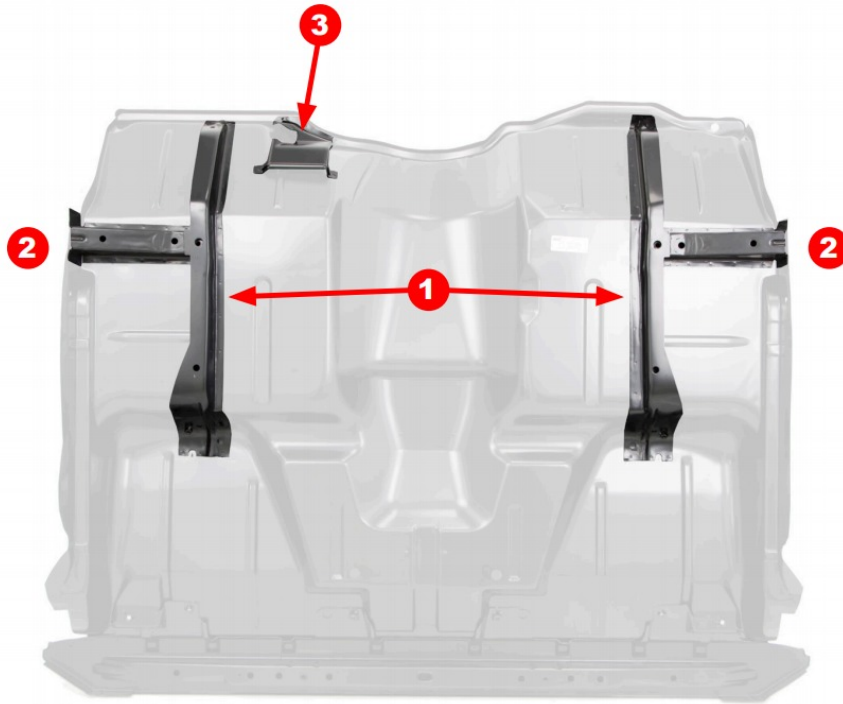
7



VISIT US ONLINE FOR THE MOST UP-TO-DATE PRICING AND SELECTION

#	YEAR	MAKE	DESCRIPTION	MODEL	PART #
1	73-80	Chevy/GMC	Frame to Radiator Core Support Mounting Bracket	TRK/SUV	349-4073-3
2	81-91	Chevy/GMC	Frame to Radiator Core Support Mounting Bracket	TRK/SUV	349-4081-2
3	73-80	Chevy/GMC	Cab & Radiator Core Support Bushing Kit - 2WD 1/2 Ton	TRK	427-4073-21S
4	73-80	Chevy/GMC	Cab & Radiator Core Support Bushing Kit - 2WD 3/4 Ton	TRK/	427-4073-23S
5	73-80	Chevy/GMC	Cab & Radiator Core Support Bushing Kit - 4WD	TRK	427-4073-41S
6	81-83	Chevy/GMC	Cab & Radiator Core Support Bushing Kit - 2WD	TRK	427-4081-21S
7	84-87	Chevy/GMC	Cab & Radiator Core Support Bushing Kit - 2WD	TRK	427-4084-21S

## CAB MOUNTS & SUPPORTS



4



5



6



7



8



9



10



VISIT US ONLINE FOR THE MOST UP-TO-DATE PRICING AND SELECTION

#	YEAR	MAKE	DESCRIPTION	MODEL	PART #
1	73-91	Chevy/GMC	Front Cab Support	TRK/SUV	425-4073
2	73-91	Chevy/GMC	Cab Floor Support - LH	TRK/SUV	425-4078-L
	73-91	Chevy/GMC	Cab Floor Support - RH	TRK/SUV	425-4078-R
3	73-91	Chevy/GMC	Floor Pan Heat Shield	TRK/SUV	344-4073-1
4	73-80	Chevy/GMC	Cab & Radiator Mount	TRK	427-4073
5	73-80	Chevy/GMC	Cab Mount - 4WD	TRK/SUV	427-4073-4
6	81-87	Chevy/GMC	Cab & Radiator Mount	TRK	427-4081
7	73-80	Chevy/GMC	Cab Mount Bushing Kit - 2WD	TRK	427-4073-2S
8	73-80	Chevy/GMC	Cab Mount Bushing Kit - 4WD	TRK	427-4073-3S
9	81-83	Chevy/GMC	Cab Mount Bushing Kit	TRK	427-4081-2S
10	84-87	Chevy/GMC	Cab Mount Bushing Kit	TRK	427-4084-2S



## GLASS



1



2



3

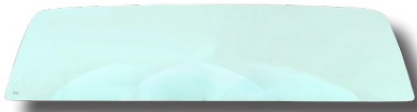


4



VISIT US ONLINE FOR THE MOST UP-TO-DATE PRICING AND SELECTION

#	YEAR	MAKE	DESCRIPTION	MODEL	PART #
1	73-91	Chevy/GMC	Windshield - Clear - w/o Antenna	TRK/SUV	380-4073-C
	73-91	Chevy/GMC	Windshield - Clear - w/ Antenna	TRK/SUV	380-4073-CA
	73-91	Chevy/GMC	Windshield - Green Tint - w/o Antenna	TRK/SUV	380-4073-T
	73-91	Chevy/GMC	Windshield - Green Tint - w/ Antenna	TRK/SUV	380-4073-TA
2	73-91	Chevy/GMC	Windshield Gasket - w/o Trim Groove	TRK/SUV	X384-4073-I
	73-91	Chevy/GMC	Windshield Gasket - w/ Trim Groove	TRK/SUV	X384-4073-2
3	73-91	Chevy/GMC	Windshield Gasket Lockstrip - Black	TRK/SUV	G-WLS466
4	73-91	Chevy/GMC	Windshield Gasket Lockstrip - Chrome	TRK/SUV	X384-4073-5

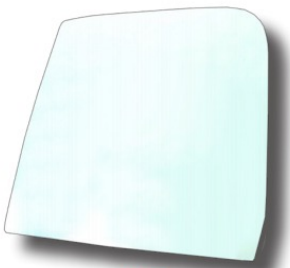


1



2

#	YEAR	MAKE	DESCRIPTION	MODEL	PART #
1	73-75	Chevy/GMC	Back Glass - Clear	TRK	660-4073-C
	73-75	Chevy/GMC	Back Glass - Green Tint	TRK	660-4073-T
	76-86	Chevy/GMC	Back Glass - Clear	TRK	660-4076-C
	76-86	Chevy/GMC	Back Glass - Green Tint	TRK	660-4076-T
2	73-91	Chevy/GMC	Back Glass Gasket Lock Strip w/ Corner Joints	TRK	X661-4073-4S
	73-91	Chevy/GMC	Back Glass Gasket w/o Trim Groove	TRK	G-WBL1135
	73-91	Chevy/GMC	Back Glass Gasket w/ Trim Groove	TRK	G-WCRI135



1

#	YEAR	MAKE	DESCRIPTION	MODEL	PART #
1	73-80	Chevy/GMC	Front Door Glass - Clear - LH	TRK/SUV	550-4073-CL
	73-80	Chevy/GMC	Front Door Glass - Clear - RH	TRK/SUV	550-4073-CR
	73-80	Chevy/GMC	Front Door Glass - Green Tint - LH	TRK/SUV	550-4073-TL
	73-80	Chevy/GMC	Front Door Glass - Green Tint - RH	TRK/SUV	550-4073-TR
	81-91	Chevy/GMC	Front Door Glass - Clear - LH	TRK/SUV	550-4081-CL
	81-91	Chevy/GMC	Front Door Glass - Clear - RH	TRK/SUV	550-4081-CR
	81-91	Chevy/GMC	Front Door Glass - Green Tint - LH	TRK/SUV	550-4081-TL
	81-91	Chevy/GMC	Front Door Glass - Green Tint - RH	TRK/SUV	550-4081-TR

## GLASS



#	YEAR	MAKE	DESCRIPTION	MODEL	PART #
1	73-91	Chevy/GMC	Glass Seal Rope-In Tool	TRK/SUV	TOOL-1
2	73-91	Chevy/GMC	Ball End Hook Tool For Glass Gasket & Seal	TRK/SUV	TOOL-2
3	73-91	Chevy/GMC	Weatherstrip Gasket & Seal Installation/Removal Stick	TRK/SUV	TOOL-3
4	73-91	Chevy/GMC	Tool For Inserting Lockstrip Into Glass Seal	TRK/SUV	TOOL-4



VISIT US ONLINE FOR THE MOST UP-TO-DATE PRICING AND SELECTION

#	YEAR	MAKE	DESCRIPTION	MODEL	PART #
1	79-81	Chevy/GMC	Upper Front Door Seal on Door - LH	TRK/SUV	X580-4078-1L
	73-91	Chevy/GMC	Upper Front Door Seal on Door - RH	TRK/SUV	X580-4078-1R
2	73-80	Chevy/GMC	Rear Side Door Seal Kit - 8 pcs	TRK/SUV	G-DK112073
3	81-91	Chevy/GMC	Rear Side Door Seal Kit - 8 pcs	TRK/SUV	X580-4281-1S
4	73-76	Chevy/GMC	Front Door Beltline Window Felts - 4 pcs	TRK/SUV	582-4073-S
5	77-80	Chevy/GMC	Front Door Beltline Window Felts - 4 pcs	TRK/SUV	582-4073-1S
6	81-91	Chevy/GMC	Front Door Beltline Window Felts - 4 pcs	TRK/SUV	582-4081-1S
7	73-80	Chevy/GMC	Front Door Seal Kit - 10 pcs	TRK/SUV	G-DK111073
8	81-91	Chevy/GMC	Front Door Seal Kit - 8 pcs	TRK/SUV	G-DK111081



#	YEAR	MAKE	DESCRIPTION	MODEL	PART #
1	73-91	Chevy/GMC	Front Door Glass Channel Guide - Rear - LH	TRK/SUV	547-4073-2L
	73-91	Chevy/GMC	Front Door Glass Channel Guide - Rear - RH	TRK/SUV	547-4073-2R
2	73-80	Chevy/GMC	Door Glass Sash Channel - LH	TRK/SUV	547-4074-1L
	73-80	Chevy/GMC	Door Glass Sash Channel - RH	TRK/SUV	547-4074-1R
3	81-87	Chevy/GMC	Door Glass Sash Channel - LH	TRK/SUV	547-4081-1L
	81-87	Chevy/GMC	Door Glass Sash Channel - RH	TRK/SUV	547-4081-1R
4	73-80	Chevy/GMC	Front Door Glass Run	TRK/SUV	552-4073-1
5	73-91	Chevy/GMC	Rear Door Glass Run Window Channel Seal	TRK/SUV	U-G1009
6	81-91	Chevy/GMC	Front Door Beltline Weatherstrip Window Channel Run Kit	TRK/SUV	U-KG2033



#	YEAR	MAKE	DESCRIPTION	MODEL	PART #
1	73-80	Chevy/GMC	Vent Glass - Clear - LH	TRK/SUV	560-4073-CL
	73-80	Chevy/GMC	Vent Glass - Clear - RH	TRK/SUV	560-4073-CR
2	73-80	Chevy/GMC	Vent Glass - Green Tint - LH	TRK/SUV	560-4073-TL
	73-80	Chevy/GMC	Vent Glass - Green Tint - RH	TRK/SUV	560-4073-TR
1	81-91	Chevy/GMC	Vent Glass - Clear - LH	TRK/SUV	560-4081-CL
	81-91	Chevy/GMC	Vent Glass - Clear - RH	TRK/SUV	560-4081-CR
2	81-91	Chevy/GMC	Vent Glass - Green Tint - LH	TRK/SUV	560-4081-TL
	81-91	Chevy/GMC	Vent Glass - Green Tint - RH	TRK/SUV	560-4081-TR



VISIT US ONLINE FOR THE MOST UP-TO-DATE PRICING AND SELECTION

#	YEAR	MAKE	DESCRIPTION	MODEL	PART #
1	89-91	Chevy/GMC	Vent Window Handle - w/ Black Knob - LH	TRK/SUV	X561-4080-BL
	89-91	Chevy/GMC	Vent Window Handle - w/ Black Knob - RH	TRK/SUV	X561-4080-BR
2	80-88	Chevy/GMC	Vent Window Handle - w/ Chrome Knob - LH	TRK/SUV	X561-4080-L
	80-88	Chevy/GMC	Vent Window Handle - w/ Chrome Knob - RH	TRK/SUV	X561-4080-R
3	81-91	Chevy/GMC	Vent Window Rebuild Kit - 13 pcs, Glass Tape, Rivets, Punch	TRK/SUV	X563-4073-IS
4	73-80	Chevy/GMC	Vent Window Rebuild Kit - 5 pcs, Glass Tape, Rivets, Punch	TRK/SUV	X563-4081-IS
5	73-80	Chevy/GMC	Vent Window Seal - RH	TRK/SUV	U-G4902
	73-80	Chevy/GMC	Vent Window Seal - LH	TRK/SUV	U-G4903
6	73-80	Chevy/GMC	Vent Window Vertical Rear Seal - RH	TRK/SUV	U-G4904
	73-80	Chevy/GMC	Vent Window Vertical Rear Seal - LH	TRK/SUV	U-G4905
7	73-80	Chevy/GMC	Vent Window Post Liner Seal - LH	TRK/SUV	563-4073-L
	73-80	Chevy/GMC	Vent Window Post Liner Seal - RH	TRK/SUV	563-4073-R
8	73-80	Chevy/GMC	Vent Window Weatherstrip Set - 4 pcs	TRK/SUV	X563-4073-S

## SEALS & WEATHERSTRIP



VISIT US ONLINE FOR THE MOST UP-TO-DATE PRICING AND SELECTION

#	YEAR	MAKE	DESCRIPTION	MODEL	PART #
1	73-77	Chevy/GMC	Weatherstrip Kit - w/ Trim Groove	TRK	X599-4073-IS
2	81-85	Chevy/GMC	Weatherstrip Kit - w/ Chrome Reveal Lock Strip	TRK	G-CWK111281
3	81-85	Chevy/GMC	Weatherstrip Kit - w/ Black Reveal Lock Strip	SUV	G-CWK111681

## GLOVE BOX



#	YEAR	MAKE	DESCRIPTION	MODEL	PART #
1	73-91	Chevy/GMC	Glove Box Door	TRK/SUV	461-4073
2	73-91	Chevy/GMC	Glove Box Liner - w/o AC	TRK/SUV	461-4073-1
3	73-91	Chevy/GMC	Glove Box Liner - w/ AC	TRK/SUV	461-4073-2
	73-91	Chevy/GMC	Glove Box Door Bumpers - Pair	TRK/SUV	J-1069

## SWITCHES & LEVERS



#	YEAR	MAKE	DESCRIPTION	MODEL	PART #
1	73-77	Chevy/GMC	Upper Steering Column Cover	TRK/SUV	458-4073-1
2	78-80	Chevy/GMC	Upper Steering Column Cover	TRK/SUV	458-4078-1
3	77-83	Chevy/GMC	Turn Signal Switch	TRK/SUV	X458-4077-1
4	81-91	Chevy/GMC	Upper Steering Column Cover	TRK/SUV	458-4081-1
5	84-88	Chevy/GMC	Turn Signal Lever - Black - w/o Cruise w/o Intermittent Wipers	TRK/SUV	X458-4084-1
6	84-87	Chevy/GMC	Turn Signal Lever - Black - w/ Cruise w/ Intermittent Wipers	TRK/SUV	X458-4084-1B
7	84-87	Chevy/GMC	Turn Signal Lever - Chrome - w/o Cruise w/ Intermittent Wipers	TRK/SUV	X458-4084-2B
8	84-91	Chevy/GMC	Turn Signal Lever - Chrome - w/ Cruise w/ Intermittent Wipers	TRK/SUV	X458-4084-1C
9	84-91	Chevy/GMC	Turn Signal Lever - Chrome - w/o Cruise w/ Intermittent Wipers	TRK/SUV	X458-4084-2C
10	73-74	Chevy/GMC	Wiper Switch	TRK/SUV	X460-4073-21
11	75-77	Chevy/GMC	Wiper Switch - w/o Intermittent Wiper	TRK/SUV	X460-4075-21
12	78-83	Chevy/GMC	Wiper Switch - w/o Intermittent Wipers	TRK/SUV	X460-4078-21
13	78-83	Chevy/GMC	Wiper Switch - w/ Intermittent Wipers	TRK/SUV	X460-4078-22
14	73-74	Chevy/GMC	Headlamp Switch Rod and Knob - Black	TRK/SUV	X460-4073-11
15	75-91	Chevy/GMC	Headlamp Switch Rod and Knob - Chrome/Silver	TRK/SUV	X460-4075-11
16	73-91	Chevy/GMC	Headlamp Switch	TRK/SUV	X460-5568-11

## HORN BUTTONS



1

gm restoration



2



3



4



5



6

#	YEAR	MAKE	DESCRIPTION	MODEL	PART #
1	73-77	Chevy	"Bowtie"	PU/SUV	459-4073-1
2	78-87	Chevy	"CHEVROLET"	PU	459-4078-1
3	78-91	Chevy	"Bowtie"	PU/SUV	459-4088-1
4	78-91	Chevy/GMC	"CHEVROLET"	PU/SUV	459-4088-2
5	78-91	GMC	"GMC" w/Standard Trim Package	PU	459-4978-1
6	78-87	GMC	"GMC" w/Custom Trim Package	PU	459-4978-2

## DASH BEZELS



1



2



3



4



5



6



7



8



9



10



11



13



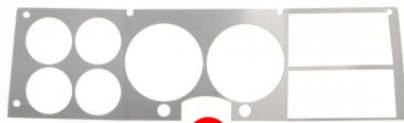
15



16



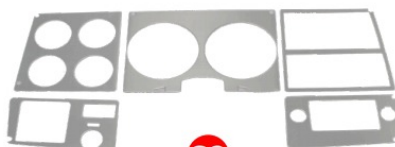
17



18



19

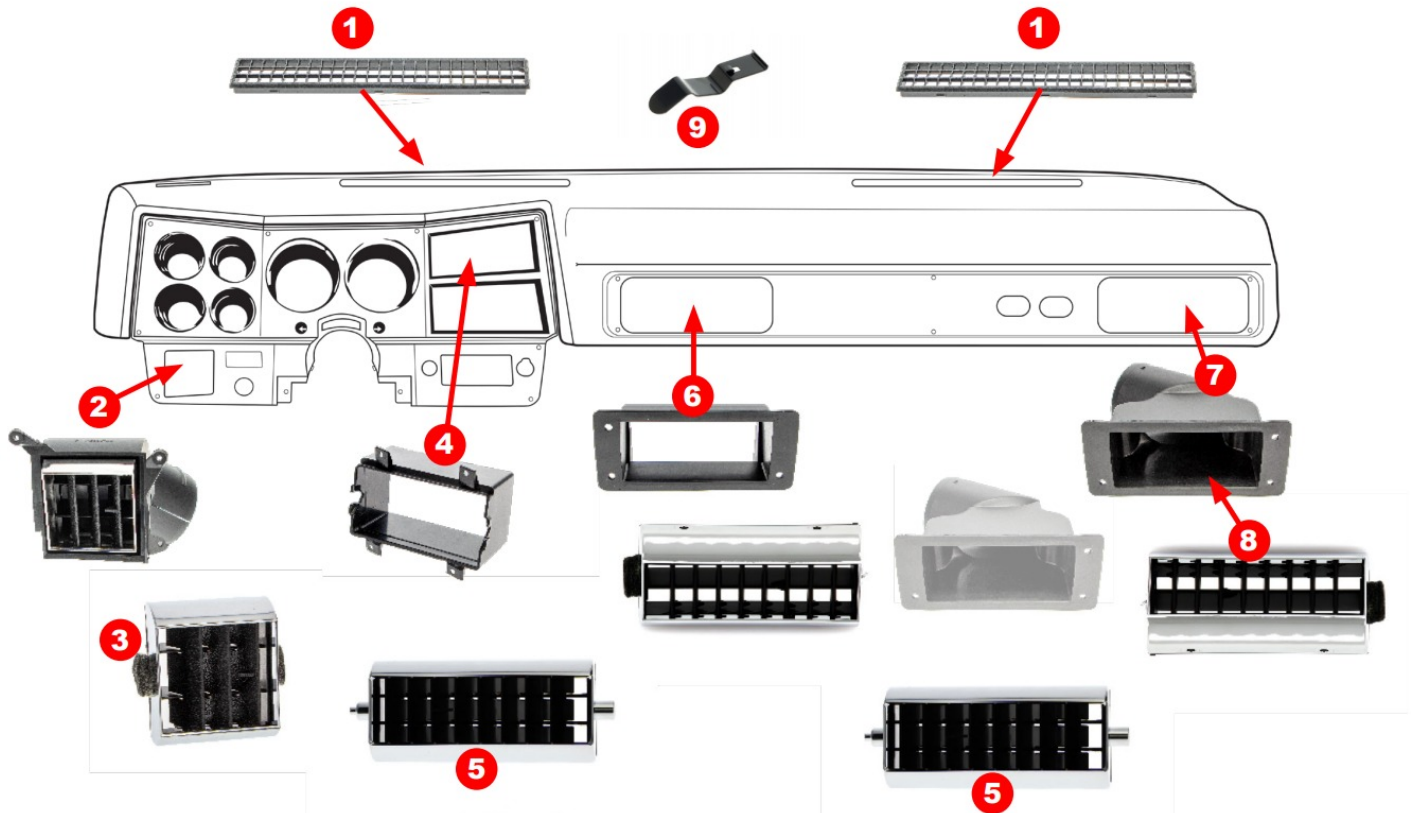


20

#	YEAR	MAKE	DESCRIPTION	MODEL	PART #
1	73-74	Chevy/GMC	Bezel w/ AC - Black/Chrome	PU/SUV	460-4073-AC
2	75-77	Chevy/GMC	Bezel w/ AC - Black/Chrome	PU/SUV	460-4075-AC
3	78-80	Chevy/GMC	Bezel w/ AC - Black/Chrome	PU/SUV	460-4078-AC
4	81-83	Chevy/GMC	Bezel w/ AC - Black/Chrome	PU/SUV	460-4081-BAC
5	84-87	Chevy/GMC	Bezel w/ AC - Black/Chrome	PU/SUV	460-4084-BAC
4	73-74	Chevy/GMC	Bezel w/o AC - Black/Chrome	PU/SUV	460-4073
7	75-77	Chevy/GMC	Bezel w/o AC - Black/Chrome	PU/SUV	460-4075
8	78-80	Chevy/GMC	Bezel w/o AC - Black/Chrome	PU/SUV	460-4078
9	81-83	Chevy/GMC	Bezel w/o AC - Black/Chrome	PU/SUV	460-4081-B
10	84-87	Chevy/GMC	Bezel w/o AC - Black/Chrome	PU/SUV	460-4084-B
11	73-80	Chevy/GMC	Gauge Lens w/ Clock	PU/SUV	474-4073-71
12	73-80	Chevy/GMC	Gauge Lens w/o Clock	PU/SUV	474-4073-72
13	73-80	Chevy/GMC	Gauge Lens w/o Gauges	PU/SUV	474-4073-73
14	81-87	Chevy/GMC	Gauge Lens w/ Clock	PU/SUV	474-4081-71
15	73-77	Chevy/GMC	Upper Steering Column Cover	PU/SUV	458-4073-1
16	78-80	Chevy/GMC	Upper Steering Column Cover	PU/SUV	458-4078-1
17	81-91	Chevy/GMC	Upper Steering Column Cover	PU/SUV	458-4081-1
18	78-80	Chevy/GMC	Bezel Trim w/ AC - Brushed Aluminum	PU/SUV	460-4078-1BAC
19	78-80	Chevy/GMC	Bezel Trim w/o AC - Brushed Aluminum	PU/SUV	460-4078-1B
20	81-91	Chevy/GMC	Bezel Trim - Brushed Aluminum	PU/SUV	460-4081-A



## DASH VENTS



VISIT US ONLINE FOR THE MOST UP-TO-DATE PRICING AND SELECTION

#	YEAR	MAKE	DESCRIPTION	MODEL	PART #
1	81-91	Chevy/GMC	Defrost Vent - Black	TRK/SUV	460-4081-4B
2	73-91	Chevy/GMC	Air Vent Assembly - LH	TRK/SUV	460-4073-63
3	73-91	Chevy/GMC	Air Vent Outlet - LH	TRK/SUV	460-4073-51
4	73-91	Chevy/GMC	Dash Air Vent Adapter - Center/LH	TRK/SUV	460-4073-52
5	73-91	Chevy/GMC	Air Vent Outlet - Center/LH or RH	TRK/SUV	460-4073-53
6	81-91	Chevy/GMC	Dash Air Vent Adapter - Center/RH	TRK/SUV	460-4081-5
7	81-91	Chevy/GMC	Dash Air Vent Adapter - RH	TRK/SUV	460-4081-6
8	81-91	Chevy/GMC	Dash Air Vent Outlet - Center/RH	TRK/SUV	460-4081-7
9	73-80	Chevy/GMC	Dash Pad Mounting Clip	TRK/SUV	X464-4073-1
10	79-80	Chevy/GMC	Dash Pad Mounting Clip	TRK/SUV	X464-4079-1



## MISCELLANEOUS



1



2



3



4



5

#	YEAR	MAKE	DESCRIPTION	MODEL	PART #
1	73-77	Chevy/GMC	Radio Control Knobs - 2 pcs	PU/SUV	K-330107
2	73-91	Chevy/GMC	Door Lock Knob Ferrule	PU/SUV	K-330485
3	79-84	Chevy/GMC	Brake Light Switch Retainer	PU	R-203
4	76	Chevy/GMC	Accelerator Gas Pedal Pad	PU/SUV	W-143
5	73-83	Chevy/GMC	Parking Brake Pedal Pad "PARK"	PU/SUV	W-229



6



7

#	YEAR	MAKE	DESCRIPTION	MODEL	PART #
6	78-91	Chevy/GMC	Ignition Lock Cylinder w/Keys	PU/SUV	X462-4073-1
7	78-91	Chevy/GMC	Ignition Lock Cylinder w/Keys	PU/SUV	X462-4084-2



8



9

#	YEAR	MAKE	DESCRIPTION	MODEL	PART #
8	73-91	Chevy/GMC	Parking Brake Assembly	PU/SUV	476-4073-1
9	73-91	Chevy/GMC	Parking Brake Release Handle	PU/SUV	441-4066



1



2



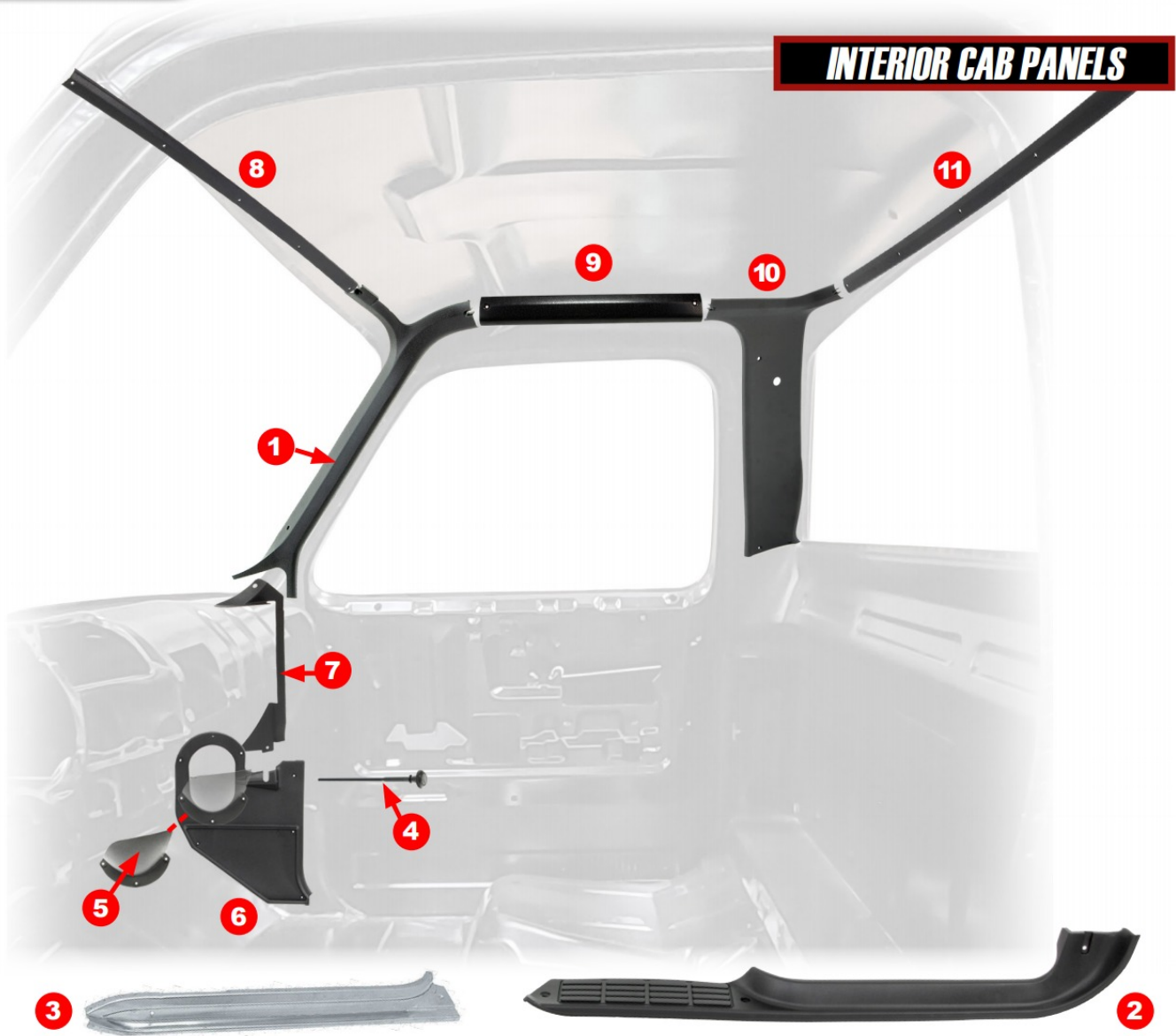
3



4

#	YEAR	MAKE	DESCRIPTION	MODEL	PART #
1	77-80	Chevy/GMC	Front Door Pull Strap Cover	PU/SUV	543-4077-3
2	81-91	Chevy/GMC	Front Door Pull Strap Cover	PU/SUV	543-4081-3
3	81-91	Chevy/GMC	Front Door Pull Strap Bracket	PU/SUV	543-4081-2
4	73-80	Chevy/GMC	Front Door Pull Strap	PU/SUV	543-4077-1
	81-91	Chevy/GMC	Front Door Pull Strap	PU/SUV	543-4081-1

## INTERIOR CAB PANELS



#	YEAR	MAKE	DESCRIPTION	MODEL	PART #
1	73-80	Chevy/GMC	A-Pillar Panel - Upper LH	TRK	373-4073-L
	73-80	Chevy/GMC	A-Pillar Panel - Upper RH	TRK	373-4073-R
	81-91	Chevy/GMC	A-Pillar Panel - Upper LH	TRK	373-4081-L
	81-91	Chevy/GMC	A-Pillar Panel - Upper RH	TRK	373-4081-R
2	78-87	Chevy/GMC	Door Sill Plates - Pair	TRK	445-4078-P
	78-87	Chevy/GMC	Door Sill Plate - LH	TRK	445-4078-L
3	73-91	Chevy/GMC	Door Sill Plate - Rear LH	TRK	K-473977
	73-91	Chevy/GMC	Door Sill Plate - Rear RH	TRK	K-473978
4	73-91	Chevy/GMC	Kick Panel Air Vent Pull Rod	TRK/SUV	447-4073-11
	73-91	Chevy/GMC	Kick Panel Air Vent Baffle - RH	TRK/SUV	447-4075-12
5	73-91	Chevy/GMC	Kick Panel - RH	TRK/SUV	447-4075-1R
	73-91	Chevy/GMC	Kick Panel - LH	TRK/SUV	447-4075-2L
6	73-91	Chevy/GMC	Kick Panel - LH	TRK/SUV	447-4075-2L
7	81-91	Chevy/GMC	A-Pillar Panel - Lower LH	TRK	447-4081-1L
8	73-91	Chevy/GMC	Inner Windshield Upper Trim Panel	TRK/SUV	642-4073-1
9	73-91	Chevy/GMC	Door Upper Trim Panel	TRK/SUV	642-4073-21
10	73-91	Chevy/GMC	Rear Pillar Cover - LH	TRK	642-4073-2L
	73-91	Chevy/GMC	Rear Pillar Cover - RH	TRK	642-4073-2R



VISIT US ONLINE FOR THE MOST UP-TO-DATE PRICING AND SELECTION



## GAS TANKS



1



2



3



4



5



6



7



VISIT US ONLINE FOR THE MOST UP-TO-DATE PRICING AND SELECTION

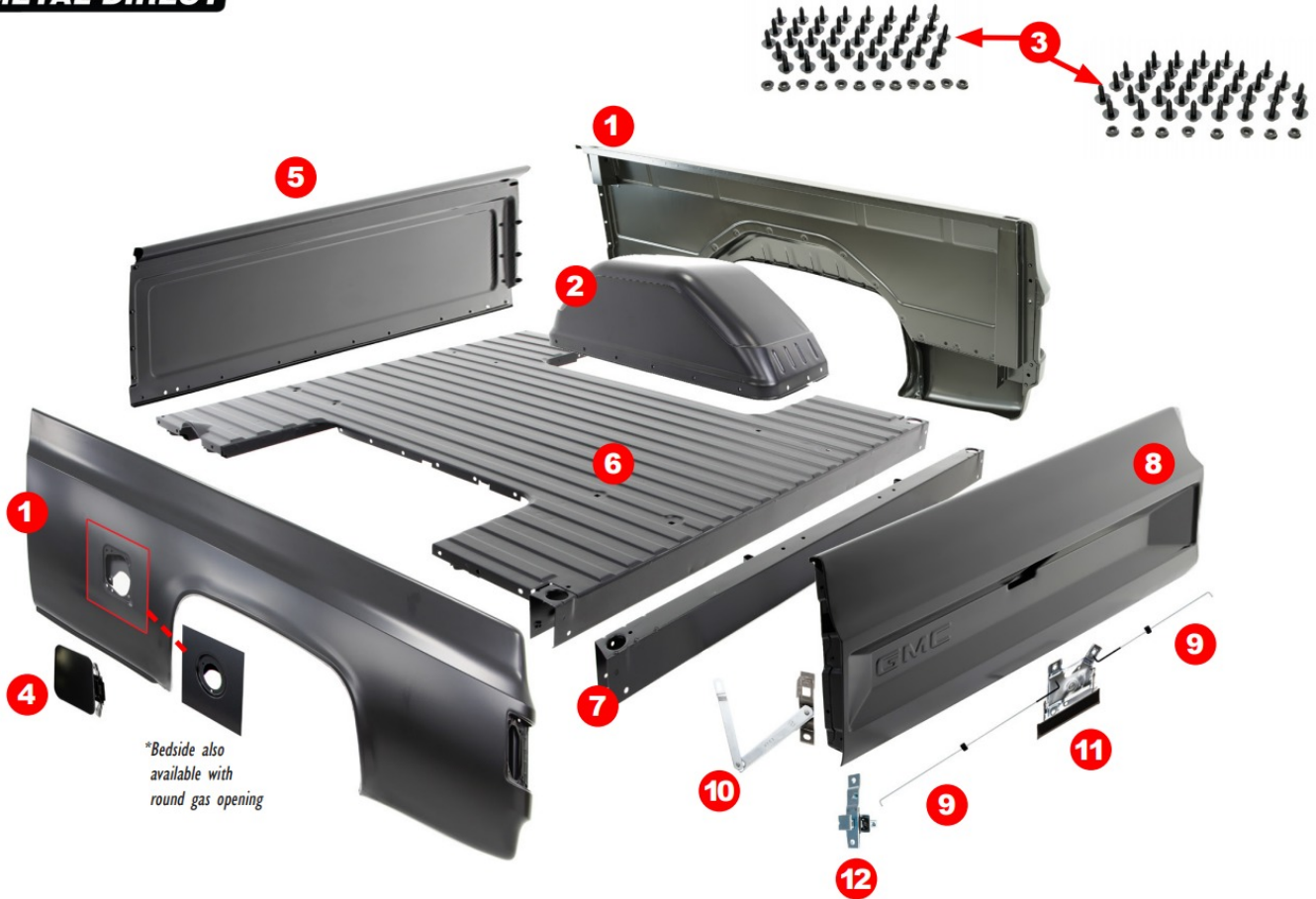
#	YEAR	MAKE	DESCRIPTION	MODEL	PART #
1	73-81	Chevy/GMC	Side Mount, 16 Gallon	SHORT BED	890-4073-16
	73-81	Chevy/GMC	Side Mount, 20 Gallon	LONG BED	890-4073-20
	82-86	Chevy/GMC	Side Mount, 16 Gallon	SHORT BED	890-4082-16
	82-86	Chevy/GMC	Side Mount, 20 Gallon	LONG BED	890-4082-20
2	87	Chevy/GMC	Side Mount, 16 Gallon	SHORT BED	890-4087-16
	87	Chevy/GMC	Side Mount, 20 Gallon	LONG BED	890-4087-21
	73-81	Chevy/GMC	25 Gallon	SUV	890-4273-25
	73-81	Chevy/GMC	31 Gallon	SUV	890-4273-31
	74-81	Chevy/GMC	40 Gallon	SUBURBAN	890-4274-40
	82-87	Chevy/GMC	25 Gallon	SUV	890-4282-25
	82-91	Chevy/GMC	31 Gallon	SUV	890-4282-31
	82-91	Chevy/GMC	40 Gallon	SUBURBAN	890-4282-40
	87	Chevy/GMC	25 Gallon	SUV	890-4287-25
	87-91	Chevy/GMC	31 Gallon	SUV	890-4287-31
	87-91	Chevy/GMC	40 Gallon	SUBURBAN	890-4287-40
	3	81-91	Chevy/GMC	Tank Selector Switch - w/ Carburetor	TRK/SUV
4	87-91	Chevy/GMC	Tank Selector Switch - w/ TBI EFI	TRK/SUV	X891-4087-1
5	73-91	Chevy/GMC	Tank Support Bracket - w/ Strap - Front	TRK	820-4073-1
6	73-91	Chevy/GMC	Tank Support Bracket - w/ Strap - Rear	TRK	820-4073-2
	74-91	Chevy/GMC	Tank Straps - w/ 40 Gallon Tank	SUBURBAN	880-4077-P
7	73-91	Chevy/GMC	Tank Straps - w/ 31 Gallon Tank	SUV	880-4373-1P
	73-91	Chevy/GMC	Tank Straps - w/ 25 Gallon Tank	SUV	880-4373-P
	73-91	Chevy/GMC	Tank Straps - Side Mounted Tanks	TRK	880-4073-P
	73-79	Chevy/GMC	Driver Side Sending Unit - 2 Outlets	TRK	881-4073-32
	73-79	Chevy/GMC	Driver Side Sending Unit - 3 Outlets	TRK	881-4073-53
	80-84	Chevy/GMC	Driver Side Sending Unit - 2 Outlets	TRK	881-4080-31
	80-86	Chevy/GMC	Driver Side Sending Unit - 3 Outlets, w/o EFI	TRK	881-4080-33
87-89	Chevy/GMC	Driver Side Sending Unit - 3 Outlets with EFI	TRK	881-4087-31	
73-75	Chevy/GMC	Passenger Side Sending Unit - 1 Outlet	TRK	881-4073-31	
73-79	Chevy/GMC	Passenger Side Sending Unit - 3 Outlets	TRK	881-4073-33	
73-79	Chevy/GMC	Passenger Side ending Unit - 2 Outlets	TRK	881-4073-34	
80-84	Chevy/GMC	Passenger Side Sending Unit - 2 Outlets	TRK	881-4080-32	
70-86	Chevy/GMC	Passenger Side Sending Unit - 3 Outlets, w/o EFI	TRK	881-4080-34	
87-89	Chevy/GMC	Passenger Side Sending Unit - 3 Outlet with EFI	TRK	881-4087-32	

## STEP SIDE BED



VISIT US ONLINE FOR THE MOST UP-TO-DATE PRICING AND SELECTION

#	YEAR	MAKE	DESCRIPTION	MODEL	PART #
1	79-87	Chevy/GMC	Rear Fender - OE Style - LH	STEPSIDE	X780-4078-L
	73-78	Chevy/GMC	Rear Fender - OE Style - w/ Round Gas Hole - RH	STEPSIDE	X780-4073-2R
	79-87	Chevy/GMC	Rear Fender - OE Style - w/ Square Gas Hole - RH	STEPSIDE	X780-4079-R
	76-91	Chevy/GMC	Rear Fender Brace - Front - LH	STEPSIDE	X781-4073-1L
	76-91	Chevy/GMC	Rear Fender Brace - Front - RH	STEPSIDE	X781-4073-1R
2	73-87	Chevy/GMC	Rear Fender Brace - Center - LH or RH - 4 Required, 2 Per Side	STEPSIDE	781-4073-2
	73-87	Chevy/GMC	Bed Step Hanger - LH	STEPSIDE	X723-4073-1L
	73-87	Chevy/GMC	Bed Step Hanger - RH	STEPSIDE	X723-4073-1R
	73-87	Chevy/GMC	Bed Step - LH	STEPSIDE	X723-4073-6L
	73-87	Chevy/GMC	Bed Step - RH	STEPSIDE	X723-4073-6R
	73-87	Chevy/GMC	Tailgate - Plain	STEPSIDE	925-4054-1
	73-87	Chevy/GMC	Tailgate - w/ "CHEVROLET" Letters	STEPSIDE	925-4054-2
	73-87	Chevy/GMC	Tailgate - w/ "GMC" Letters	STEPSIDE	925-4954
	73-87	Chevy/GMC	Bed Cross Sill - Front/Center - SWB use 3 - LWB use 5	STEPSIDE	716-4073-1
	73-87	Chevy/GMC	Bed Reinforcement Strip - SWB & LWB use 2	STEPSIDE	717-4073
3	73-87	Chevy/GMC	Bed Cross Sill - Rear	STEPSIDE	716-4073-31
4	73-87	Chevy/GMC	Tailgate Chain Covers - Black - Pair	STEPSIDE	X927-4041-3P
5	73-87	Chevy/GMC	Tailgate Chain - Steel - Pair	STEPSIDE	X927-XXXX



\*Bedside also available with round gas opening



8 gm restoration



8 gm restoration



8 gm restoration



8 gm restoration



8 gm restoration



8 gm restoration

## FLEET SIDE BED



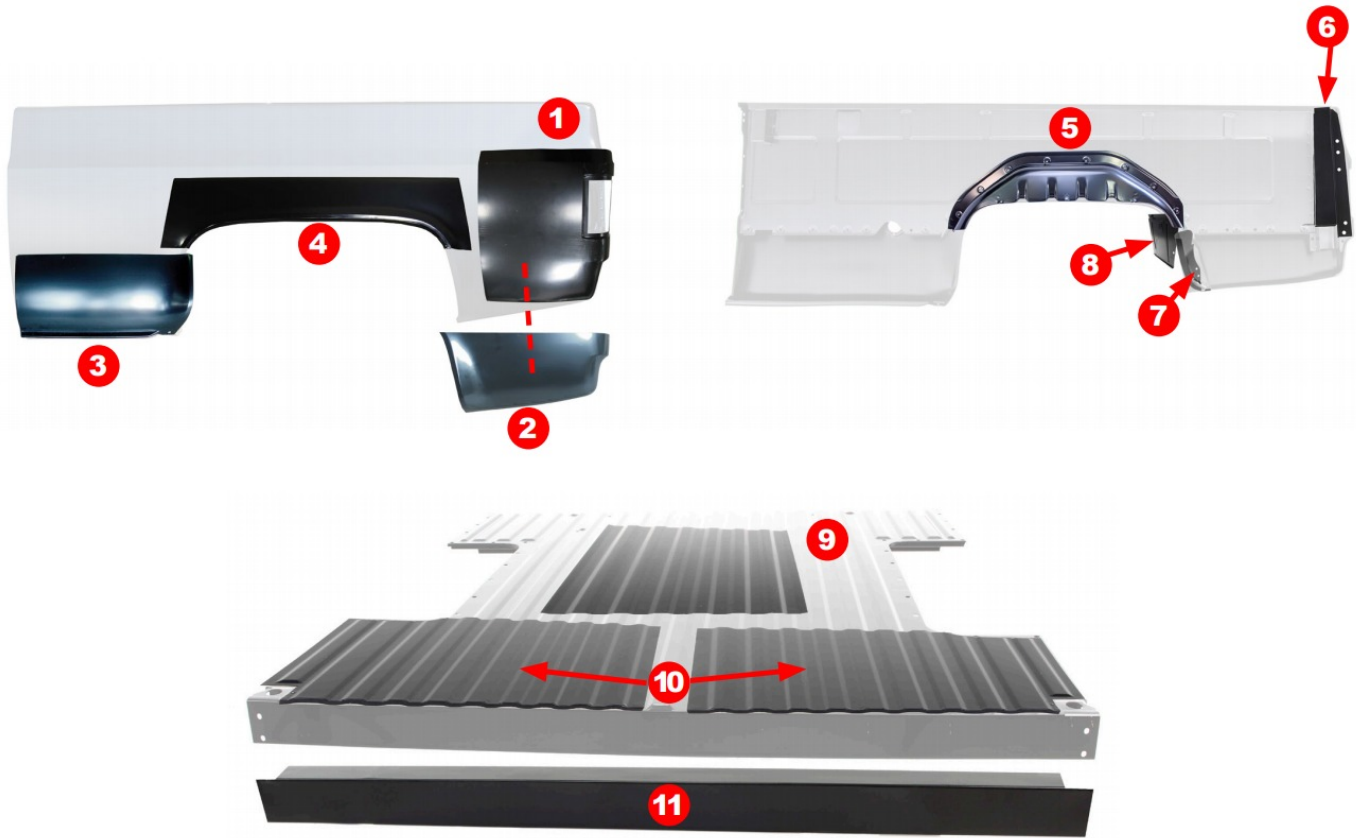
VISIT US ONLINE FOR THE MOST UP-TO-DATE PRICING AND SELECTION



#	YEAR	MAKE	DESCRIPTION	MODEL	PART #
1	73-76	Chevy/GMC	Bedside - OE Style - '76 1st Design - w/ Round Gas Hole - LH	SHORT BED	720-4073-62L
	73-76	Chevy/GMC	Bedside - OE Style - '76 1st Design - w/ Round Gas Hole - RH	SHORT BED	720-4073-62R
	73-76	Chevy/GMC	Bedside - OE Style - '76 1st Design - w/o Gas Hole - LH	SHORT BED	720-4073-6L
	73-76	Chevy/GMC	Bedside - OE Style - '76 2nd Design - w/o Gas Hole - LH	SHORT BED	720-4076-61L
	76-78	Chevy/GMC	Bedside - OE Style - '76 2nd Design - w/ Round Gas Hole - LH	SHORT BED	720-4076-62L
	76-78	Chevy/GMC	Bedside - OE Style - '76 2nd Design - w/ Round Gas Hole - RH	SHORT BED	720-4076-62R
	79-87	Chevy/GMC	Bedside - OE Style - w/ Square Gas Hole - LH	SHORT BED	720-4078-6L
	79-87	Chevy/GMC	Bedside - OE Style - w/ Square Gas Hole - RH	SHORT BED	720-4078-6R
	81-86	Chevy/GMC	Bedside - OE Style - w/o Gas Hole - RH	SHORT BED	720-4081-6R
	73-76	Chevy/GMC	Bedside - OE Style - '76 1st Design - w/ Round Gas Hole - LH	LONG BED	720-4073-82L
	73-76	Chevy/GMC	Bedside - OE Style - '76 1st Design - w/ Round Gas Hole - RH	LONG BED	720-4073-82R
	73-76	Chevy/GMC	Bedside - OE Style - '76 1st Design - w/o Gas Hole - LH	LONG BED	720-4073-8L
	76-78	Chevy/GMC	Bedside - OE Style - '76 2nd Design - w/ Round Gas Hole - LH	LONG BED	720-4076-82L
	76-78	Chevy/GMC	Bedside - OE Style - '76 2nd Design - w/ Round Gas Hole - RH	LONG BED	720-4076-82R
	76-78	Chevy/GMC	Bedside - OE Style - '76 2nd Design - w/o Gas Hole - LH	LONG BED	720-4076-8L
	79-87	Chevy/GMC	Bedside - OE Style - w/ Square Gas Hole - LH	LONG BED	720-4079-81L
	79-87	Chevy/GMC	Bedside - OE Style - w/ Square Gas Hole - RH	LONG BED	720-4079-81R
	79-87	Chevy/GMC	Bedside - OE Style - w/o Gas Hole - RH	LONG BED	720-4079-8R
	2	73-91	Chevy/GMC	Bed Wheelhouse - OE Style - LH or RH	TRK/SUV
73-91		Chevy/GMC	Bed Wheelhouse - 4" Wider - LH or RH	TRK/SUV	760-4073-4
3	73-91	Chevy/GMC	Standard Bed Wheelhouse Hardware Kit - 44 pcs	TRK/SUV	761-4073-S
	73-91	Chevy/GMC	Wide Bed Wheelhouse Hardware Kit - 52 pcs	TRK/SUV	761-4073-4S
4	79-91	Chevy/GMC	Premium Gas Tank Filler Door	TRK/SUV	724-4073-1
5	73-84	Chevy/GMC	Premium Front Bed Panel - OE Style	TRK	715-4073-1
	73-87	Chevy/GMC	Front Bed Panel	TRK	X715-4073
	85-87	Chevy/GMC	Premium Front Bed Panel - OE Style	TRK	715-4085
6	73-87	Chevy/GMC	Bed Floor Assembly - Stock Tubs	SHORT BED	790-4073-6S
	73-87	Chevy/GMC	Bed Floor Assembly - 4" Wider	SHORT BED	790-4073-64S
7	73-91	Chevy/GMC	Rear Tail Pan / Cross Rail Assembly	TRK	900-4073-1
8	73-76	Chevy/GMC	Tailgate - '76 1st Design - Plain - w/o Rollup Back Glass	TRK/SUV	925-4073-1
	73-76	Chevy	Tailgate - '76 1st Design - w/ "CHEVROLET" Letters - w/o Rollup Back Glass	TRK/SUV	925-4073-2
	76-80	Chevy/GMC	Tailgate - '76 2nd Design - Plain - w/o Removable Top	TRK/SUV	925-4077-1
	76-80	Chevy	Tailgate - '76 2nd Design - w/ "CHEVROLET" Letters - w/o Removable Hardtop	TRK/SUV	925-4077-2
	81-87	Chevy/GMC	Tailgate - Plain - 81-87 Chevy GMC C/K Fleetside Pickup	TRK	925-4081-1
	81-87	Chevy	Tailgate - w/ "CHEVROLET" Letters - 81-87 Chevy C/K Fleetside Pickup	TRK	925-4081-2
	73-76	GMC	Tailgate - '76 1st Design - w/ "GMC" Letters - w/o Removable Hardtop	TRK/SUV	925-4973
	76-80	GMC	Tailgate - '76 2nd Design - w/ "GMC" Letters - w/o Removable Hardtop	TRK/SUV	925-4977
	81-87	GMC	Tailgate - w/ "GMC" Letters	TRK	925-4981
	73-76	Chevy/GMC	Tailgate Rod Set - '76 1st Design	TRK	927-4073-2P
10	73-76	Chevy/GMC	Tailgate Hinge Link - LH	TRK/SUV	927-4073-4L
	73-76	Chevy/GMC	Tailgate Hinge Link - RH	TRK/SUV	927-4073-4R
	76-91	Chevy/GMC	Tailgate Hinge Link - w/o Removable Hardtop - LH	TRK/SUV	X927-4076-3L
	76-91	Chevy/GMC	Tailgate Hinge Link - w/o Removable Hardtop - RH	TRK/SUV	X927-4076-3R
11	73-80	Chevy/GMC	Tailgate Handle - Primer	TRK/SUV	X927-4074
12	76-87	Chevy/GMC	Tailgate Latch - '76 2nd Design - w/o Removable Hardtop - LH	TRK/SUV	X927-4078-L
	76-87	Chevy/GMC	Tailgate Latch - '76 2nd Design - w/o Removable Hardtop - RH	TRK/SUV	X927-4078-R
13	81-91	Chevy/GMC	Tailgate Component Kit - w/ Soft Top	TRK/SUV	927-4081-S
14	73-87	Chevy/GMC	Bed to Frame Mounting Kit - 32pcs - 8 Short Bolts	TRK	727-4073-1S
	73-87	Chevy/GMC	Bed to Frame Mounting Kit - 32pcs - 2 Long Bolts 6 Short Bolts	TRK	727-4073-2S



## BED REPAIR



#	YEAR	MAKE	DESCRIPTION	MODEL	PART #
1	73-87	Chevy/GMC	Rear Bedside Corner - LH	TRK	X719-4073-L
	73-87	Chevy/GMC	Rear Bedside Corner - RH	TRK	X719-4073-R
2	73-87	Chevy/GMC	Lower Front Bedside Repair Panel - LH	SHORT BED	725-4073-6L
	73-87	Chevy/GMC	Lower Front Bedside Repair Panel - RH	SHORT BED	725-4073-6R
3	73-87	Chevy/GMC	Lower Rear Bedside Repair Panel - LH	SHORT BED/SUV	755-4073-6L
	73-87	Chevy/GMC	Lower Rear Bedside Repair Panel - RH	SHORT BED/SUV	755-4073-6R
4	73-87	Chevy/GMC	Lower Rear Bedside Repair Panel - LH	LONG BED	755-4073-8L
	73-87	Chevy/GMC	Lower Rear Bedside Repair Panel - RH	LONG BED	755-4073-8R
5	73-91	Chevy/GMC	Upper Wheel Arch Repair Panel - LH	TRK/SUV	730-4073-1L
	73-91	Chevy/GMC	Upper Wheel Arch Repair Panel - RH	TRK/SUV	730-4073-1R
6	73-87	Chevy/GMC	Inner Rear Wheel Well - LH	TRK	730-4073-2L
	73-87	Chevy/GMC	Inner Rear Wheel Well - RH	TRK	730-4073-2R
7	73-87	Chevy/GMC	Tailgate Post - LH	TRK/SUV	718-4073-L
	73-87	Chevy/GMC	Tailgate Post - RH	TRK/SUV	718-4073-R
8	73-87	Chevy/GMC	Inner Rear Wheel Well - Lower - LH	TRK	872-4073-1L
	73-87	Chevy/GMC	Inner Rear Wheel Well - Lower - RH	TRK	872-4073-1R
9	73-87	Chevy/GMC	Lower Rear Bedside Splash Shield - LH	TRK	763-4073-L
	73-87	Chevy/GMC	Lower Rear Bedside Splash Shield - RH	TRK	763-4073-R
10	73-91	Chevy/GMC	Bed Floor Repair Panel - (49" L x 24" W)	TRK/SUV	791-4073
	73-91	Chevy/GMC	Rear Bed Floor Repair Panel - LH (25" L x 35" W)	LONG BED	791-4073-L
11	73-91	Chevy/GMC	Rear Bed Floor Repair Panel - RH (25" L x 35" W)	LONG BED	791-4073-R
	73-91	Chevy/GMC	Cross Rail - Rear - Outer Patch Only	TRK	900-4073



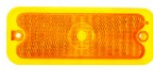
VISIT US ONLINE FOR THE MOST UP-TO-DATE PRICING AND SELECTION



## LIGHTS



1



2



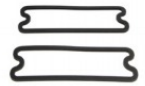
3



4



5



6



7



8



9



10



11



12



13



14



15



16



17



VISIT US ONLINE FOR THE MOST UP-TO-DATE PRICING AND SELECTION



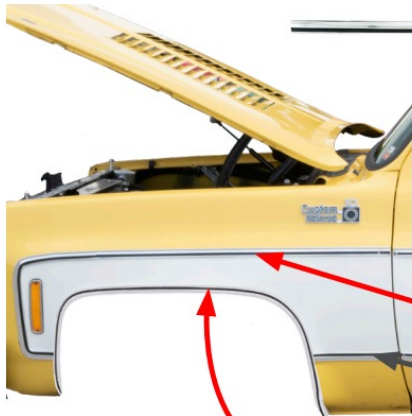
#	YEAR	MAKE	DESCRIPTION	MODEL	PART #
1	83-87	Chevy/GMC	Park Lamp Assembly - Single Headlamp	TRK/SUV	X137-4083
2	73-74	Chevy/GMC	Park Lamp Lens - non-diffused - Amber - w/o side moldings - LH	TRK/SUV	X135-4073-1L
	73-74	Chevy/GMC	Park Lamp Lens - non-diffused - Amber - w/o side moldings - RH	TRK/SUV	X135-4073-1R
3	75-80	Chevy/GMC	Park Lamp Lens - non-diffused - round headlamp - Clear - w/o side moldings - LH	TRK/SUV	X135-4075-1L
	75-80	Chevy/GMC	Park Lamp Lens - non-diffused - round headlamp - Clear - w/o side moldings - RH	TRK/SUV	X135-4075-1R
4	75-78	Chevy/GMC	Park Lamp Lens - diffused - Clear - w/ side moldings - LH	TRK/SUV	X135-4075-2L
	75-78	Chevy/GMC	Park Lamp Lens - diffused - Clear - w/ side moldings - RH	TRK/SUV	X135-4075-2R
5	73-80	Chevy/GMC	Park Lamp Mounting Kit - 8pcs	TRK/SUV	X133-4073-1S
6	73-80	Chevy/GMC	Park Lamp Lens Gaskets - Pair	TRK/SUV	134-4073-P
7	81-91	Chevy/GMC	Front Side Marker - w/ Chrome Trim - LH	TRK/SUV	X240-4081-1L
	81-91	Chevy/GMC	Front Side Marker - w/ Chrome Trim - RH	TRK/SUV	X240-4081-1R
8	73-91	Chevy/GMC	Tail Lamp Assembly - w/ Chrome Trim - LH	TRK/SUV	X950-4073-2L
	73-91	Chevy/GMC	Tail Lamp Assembly - w/ Chrome Trim - RH	TRK/SUV	X950-4073-2R
9	73-91	Chevy/GMC	Tail Lamp Assembly - w/o Chrome Trim - LH	TRK/SUV	X950-4073-1L
	73-91	Chevy/GMC	Tail Lamp Assembly - w/o Chrome Trim - RH	TRK/SUV	X950-4073-1R
10	73-91	Chevy/GMC	Tail Lamp Lens - w/ Chrome Trim - LH	TRK/SUV	X951-4073-2L
	73-91	Chevy/GMC	Tail Lamp Lens - w/ Chrome Trim - RH	TRK/SUV	X951-4073-2R
11	73-91	Chevy/GMC	Taillight Lens - w/o Chrome Trim - LH	TRK/SUV	X951-4073-1L
	73-91	Chevy/GMC	Taillight Lens - w/o Chrome Trim - RH	TRK/SUV	X951-4073-1R
12	73-76	Chevy/GMC	Tail Lamp Assembly - LH or RH - Black	STEP SIDE	X950-4067-1
13	73-76	Chevy/GMC	Tail Lamp Assembly - LH or RH - Stainless Steel	STEP SIDE	X950-4067-1SS
14	73-76	Chevy/GMC	Tail Lamp Lens - Plastic - LH or RH	STEP SIDE	X951-4067-1
15	73-76	Chevy/GMC	Back-Up Lamp Assembly - LH or RH	STEP SIDE	X955-4067-1S
16	73-76	Chevy/GMC	Back-Up Lamp Lens - LH or RH	STEP SIDE	X955-4067-1
17	73-76	Chevy/GMC	Tail Lamp Lens Gaskets - Pair	STEP SIDE/SUV	X954-4067-1P



## TRIM & MOLDING



VISIT US ONLINE FOR THE MOST UP-TO-DATE PRICING AND SELECTION



#	YEAR	MAKE	DESCRIPTION	MODEL	PART #
1	73-80	Chevy/GMC	Upper Fender Molding - LH	TRK/SUV	X231-4073-1L
	73-80	Chevy/GMC	Upper Fender Molding - RH	TRK/SUV	X231-4073-1R
2	73-80	Chevy/GMC	Lower Fender Molding - LH	TRK/SUV	X231-4073-2L
	73-80	Chevy/GMC	Lower Fender Molding - RH	TRK/SUV	X231-4073-2R
3	81-91	Chevy/GMC	Wheel Opening Molding - Front - LH	TRK/SUV	X230-4081-L
	81-91	Chevy/GMC	Wheel Opening Molding - Front - RH	TRK/SUV	X230-4081-R
4	73-87	Chevy/GMC	Wheel Opening Molding Screws Set - 36pcs	TRK	K-K606



1



3



2



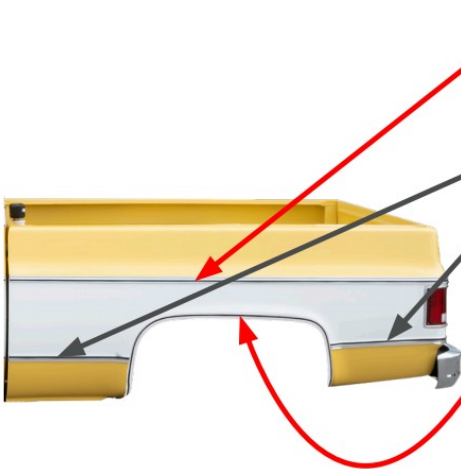
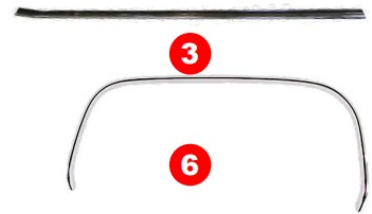
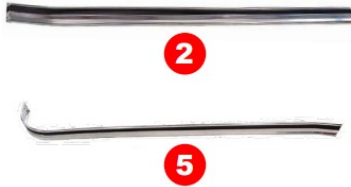
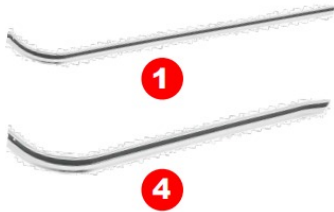
4



#	YEAR	MAKE	DESCRIPTION	MODEL	PART #
1	73-80	Chevy/GMC	Upper Front Door Molding - LH	TRK/SUV	X575-4073-1L
	73-80	Chevy/GMC	Upper Front Door Molding - RH	TRK/SUV	X575-4073-1R
2	73-80	Chevy/GMC	Upper Rear Door Molding - LH	TRK/SUV	X575-4273-1L
	73-80	Chevy/GMC	Upper Rear Door Molding - RH	TRK/SUV	X575-4273-1R
3	73-80	Chevy/GMC	Lower Front Door Molding - LH	TRK/SUV	X575-4073-2L
	73-80	Chevy/GMC	Lower Front Door Molding - RH	TRK/SUV	X575-4073-2R
4	73-80	Chevy/GMC	Lower Rear Door Molding - LH	TRK/SUBURBAN	X575-4273-2L
	73-80	Chevy/GMC	Lower Rear Door Molding - RH	TRK/SUBURBAN	X575-4273-2R
5	73-80	Chevy/GMC	Cab Corner Molding - Upper or Lower	TRK	X456-4073-1



5



#	YEAR	MAKE	DESCRIPTION	MODEL	PART #
1	73-80	Chevy/GMC	Upper Bed Molding - LH	SHORT BED	X731-4073-6L
	73-80	Chevy/GMC	Upper Bed Molding - RH	SHORT BED	X731-4073-6R
2	73-80	Chevy/GMC	Lower Front Bed Molding - LH	SHORT BED	X731-4073-26L
	73-80	Chevy/GMC	Lower Front Bed Molding - RH	SHORT BED	X731-4073-26R
3	73-80	Chevy/GMC	Lower Front Bed Molding - LH	LONG BED	X731-4073-28L
	73-80	Chevy/GMC	Lower Front Bed Molding - RH	LONG BED	X731-4073-28R
4	73-80	Chevy/GMC	Lower Rear Bed Molding - LH	SHORT BED	X731-4073-36L
	73-80	Chevy/GMC	Lower Rear Bed Molding - RH	SHORT BED	X731-4073-36R
5	73-80	Chevy/GMC	Lower Rear Bed Molding - LH	LONG BED	X731-4073-38L
	73-80	Chevy/GMC	Lower Rear Bed Molding - RH	LONG BED	X731-4073-38R
6	73-87	Chevy/GMC	Wheel Opening Molding - Rear - LH	TRK	X735-4073-L
	73-87	Chevy/GMC	Wheel Opening Molding - Rear - RH	TRK	X735-4073-R



#	YEAR	MAKE	DESCRIPTION	MODEL	PART #
1	73-80	Chevy/GMC	Tailgate Moldings - Upper or Lower	TRK/SUV	X930-4373



#	YEAR	MAKE	DESCRIPTION	MODEL	PART #
1	73-80	Chevy/GMC	Upper Bed Molding - LH	SUBURBAN	X731-4273-1L
	73-80	Chevy/GMC	Upper Bed Molding - RH	SUBURBAN	X731-4273-1R
2	73-80	Chevy/GMC	Upper Bed Molding - LH	SUV	X731-4373-1L
	73-80	Chevy/GMC	Upper Bed Molding - RH	SUV	X731-4373-1R
3	73-80	Chevy/GMC	Lower Front Bed Molding - LH	SUBURBAN	X731-4273-2L
	73-80	Chevy/GMC	Lower Front Bed Molding - RH	SUBURBAN	X731-4273-2R
4	73-80	Chevy/GMC	Lower Front Bed Molding - LH	SUV	X731-4373-2L
	73-80	Chevy/GMC	Lower Front Bed Molding - RH	SUV	X731-4373-2R
5	73-80	Chevy/GMC	Lower Rear Bed Molding - LH	SUBURBAN	X731-4273-3L
	73-80	Chevy/GMC	Lower Rear Bed Molding - RH	SUBURBAN	X731-4273-3R



## EMBLEMS



**1**  
gm restoration



**2**  
gm restoration



**3**  
gm restoration



**4**  
gm restoration



**5**  
gm restoration



**6**  
gm restoration



**7**  
gm restoration



**8**  
gm restoration



**9**  
gm restoration



**10**  
gm restoration



**11**  
gm restoration



**12**  
gm restoration



**13**  
gm restoration



**14**  
gm restoration



**15**  
gm restoration



VISIT US ONLINE FOR THE MOST UP-TO-DATE PRICING AND SELECTION

#	YEAR	MAKE	DESCRIPTION	MODEL	PART #
<b>1</b>	73-74	Chevy	Grille Emblem - Foil - "Bowtie"	TRK	999-4073-13
<b>2</b>	75-79	Chevy	Grille Emblem - "Bowtie"	TRK/SUV	999-4075-11
<b>3</b>	75-79	Chevy	Grille Emblem - Foil - "Bowtie"	TRK	999-4075-15
<b>4</b>	80	Chevy	Grille Emblem - "Bowtie"	TRK/SUV	999-4080-11
<b>5</b>	80	Chevy	Grille Emblem - Foil - "Bowtie"	TRK	999-4080-12
<b>6</b>	81-82	Chevy	Grille Emblem - "Bowtie"	TRK/SUV	999-4081-1
<b>7</b>	83-88	Chevy	Grille Emblem - w/ Chrome Trim - "Bowtie"	TRK/SUV	999-4083-1
<b>8</b>	85-88	Chevy	Grille Emblem - w/o Chrome Trim - "Bowtie"	TRK/SUV	999-4085-1
<b>9</b>	73-74	Chevy	Grille Emblem - "350"	TRK/SUV	999-4073-11
<b>10</b>	73-74	Chevy	Grille Emblem - "454"	TRK/SUV	999-4073-12
<b>11</b>	75-76	Chevy	Grille Emblem - "350"	TRK/SUV	999-4075-12
<b>12</b>	75-76	Chevy	Grille Emblem - "400"	TRK/SUV	999-4075-13
<b>13</b>	75-76	Chevy	Grille Emblem - "454"	TRK/SUV	999-4075-14
<b>14</b>	81-88	Chevy	Dash Emblem - "SILVERADO"	TRK	999-4081-41
<b>15</b>	74-71	Chevy	Bowtie Rally Wheel Cap Insert	TRK	994-4075-1

## EMBLEMS



1



2



3



4



5



6



7



8



9



11



12



13



10



VISIT US ONLINE FOR THE MOST UP-TO-DATE PRICING AND SELECTION

#	YEAR	MAKE	DESCRIPTION	MODEL	PART #
1	75-80	Chevy	Front Fender Emblems - "SILVERADO 10" - Pair	TRK	T-9902
2	75-80	Chevy	Front Fender Emblems - "SILVERADO 20" - Pair	TRK	T-9903
3	81-88	Chevy	Front Fender Emblems - "SILVERADO 10" - Pair	TRK/SUV	999-4081-23P
4	80-88	Chevy	Rear Body Side Emblems - "SILVERADO" - Pair	SUV	T-9907
5	81-87	Chevy	Front Fender Emblems - "SCOTTSDALE 10" - Pair	TRK/SUV	999-4081-22P
6	81-87	Chevy	Fender Emblems - "SCOTTSDALE 20" - Pair	TRK	T-9909
7	81-87	Chevy	Fender Emblems - "SCOTTSDALE 30" - Pair	TRK/SUV	T-9910
8	73-76	Chevy	Front Fender Emblems - "CHEYENNE SUPER 10" - Pair	TRK	T-9775
9	81-87	Chevy	Fender Emblems - "CUSTOM DELUXE 20" - Pair	TRK	T-9912
10	81-87	Chevy	Fender Emblems - "CUSTOM DELUXE 30" - Pair	TRK	T-9913
11	75-80	Chevy	Fender Emblems - "K5 BLAZER" - Pair	SUV	T-9904
12	73-74	Chevy	Fender Emblems - "K5 BLAZER" - Pair	SUV	T-9905

### CHEVROLET

1

gm restoration

### CHEVROLET

2

gm restoration

### CHEVROLET

3

gm restoration

#	YEAR	MAKE	DESCRIPTION	MODEL	PART #
1	75-80	Chevy	Tailgate Band - w/o Removable Top - "CHEVROLET"	TRK/SUV	930-4075-1
2	73-80	Chevy	Tailgate Emblem - "CHEVROLET"	TRK/SUV	999-4075-91
3	81-87	Chevy	Tailgate Emblem - "CHEVROLET"	TRK/SUV	999-4081-91



## INDEX

Description	Page	Description	Page
Air Deflector, Front	140	Fender, Front Inner	144
Battery Tray	144	Gas Tank	152
Bed Inner Wheelhouse	150	Gas Tank Strap Set	152
Bed Outer Wheelhouse	150	Grille Shell	141
Bed Panel Patch, Front Lower	150	Grille to Bumper Filler Panel Patch	140
Bed Panel Patch, Rear Lower	150	Hood	143
Bed Panel Patch, Rear Lower	150	Hood Adjustment Bumper	143
Bumper Brace, Inner Front	139	Hood Hinge Spring	143
Bumper Brace, Outer Front	139	Hood Latch	143
Bumper Guard, Front	139	Hood Latch Support	143
Bumper, Front	139	Hood Pop-Up Spring	143
Cab Corner	146	Hood Release Cable	143
Cab Corner, Inner	146	Ignition Lock Cylinder	149
Cab Floor Extension, Outer	145	License Plate Bracket, Front	139
Cab Floor Half, Front	145	Lower Bed Panel Patch, Front	150
Cab Mount, Front	145	Radiator Core Support	142
Cab Mount, rear	145	Radiator Fan Shroud	142
Door Beltline Window Felt, Front	149	Rocker Panel	146
Door Bottom Repair Panel, Inner	147	Rocker Panel, Inner	146
Door Handle, Interior	149	Tailgate	151
Door Handle, Outside Front	148	Tailgate Band	151
Door Mirror, Outside	148	Tailgate Cable	151
Door Shell, Front	147	Tailgate Component Kit	151
Door Skin, Lower	147	Tailgate Handle	151
Door Skin, Lower Rear Side	147	Tailgate Handle Bezel	151
Door Window Regulator, Front	149	Tailgate Hinge Set	151
Door Window Seal	149	Tailgate Striker	151
Fender Flare, Front	144	Turn Signal Lever	149
Fender Flare, Rear	144	Wheel Arch Patch, Upper	150
Fender, Front	144	Wheel Opening Repair Panel	150

## BUMPERS



1



2

#	YEAR	MAKE	DESCRIPTION	MODEL	PART #
1	88-98	Chevy GMC	w/o License Bracket Holes - w/o Impact Strip Holes - Painted	TRK, SUV	100-4088-1P
2	88-98	Chevy GMC	w/ License Bracket Holes - w/ Impact Strip Holes - Painted	TRK, SUV	100-4088-2



4



5



VISIT US ONLINE FOR THE MOST UP-TO-DATE PRICING AND SELECTION

#	YEAR	MAKE	DESCRIPTION	MODEL	PART #
3	88-93	Chevy GMC	Inner Front Bumper Brace - LH	TRK, SUV	X105-4088-1L
	88-93	Chevy GMC	Inner Front Bumper Brace - RH	TRK, SUV	X105-4088-1R
4	88-98	Chevy GMC	Outer Front Bumper Brace - LH	TRK, SUV	X105-4088-2L
	88-98	Chevy GMC	Outer Front Bumper Brace - RH	TRK, SUV	X105-4088-2R
5	94-98	Chevy GMC	Inner Front Bumper Brace - LH	TRK, SUV	X105-4094-1L
	94-98	Chevy GMC	Inner Front Bumper Brace - RH	TRK, SUV	X105-4094-1R



6



7



8

#	YEAR	MAKE	DESCRIPTION	MODEL	PART #
6	88-98	Chevy GMC	License Plate Bracket - w/o Impact Strip	TRK, SUV	X102-4088-1
	88-98	Chevy GMC	License Plate Bracket - w/ Impact Strip	TRK, SUV	X102-4088-2
7	88-98	Chevy GMC	Bumper Guard - Plastic - LH	TRK, SUV	X110-4088-L
8	88-98	Chevy GMC	Bumper Guard - Plastic - RH	TRK, SUV	X110-4088-R



WARNING: Cancer and Reproductive Harm - www.P65Warnings.ca.gov



## BUMPER FILLER



VISIT US ONLINE FOR THE MOST UP-TO-DATE PRICING AND SELECTION



#	YEAR	MAKE	DESCRIPTION	MODEL	PART #
1	88-93	Chevy GMC	Grille to Bumper Filler Panel Patch	TRK, SUV	X115-4088-1
2	94-98	Chevy GMC	Grille to Bumper Filler Panel Patch	TRK, SUV	X115-4094-1
3	88-93	Chevy GMC	Grille to Bumper Filler Ext - LH	TRK, SUV	X115-4088-1L
	88-93	Chevy GMC	Grille to Bumper Filler Ext - RH	TRK, SUV	X115-4088-1R

## AIRDAMS



#	YEAR	MAKE	DESCRIPTION	MODEL	PART #
4	88-98	Chevy GMC	Front Air Deflector - w/o Tow Hook	TRK, SUV	X127-4088-1
5	88-98	Chevy GMC	Front Air Deflector - w/ Tow Hook	TRK, SUV	X127-4088-2

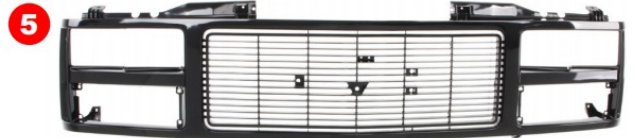




VISIT US ONLINE FOR THE MOST UP-TO-DATE PRICING AND SELECTION

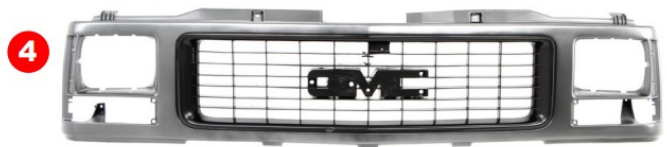


## GRILLES 88-93



#	YEAR	MAKE	DESCRIPTION	MODEL	PART #
1	88-93	Chevy	Argent/Silver - Single Headlight	TRK, SUV	X150-4088-1
2	88-93	Chevy	Black - Dual Headlight	TRK, SUV	X150-4088-21
3	88-93	Chevy	Chrome/Black - Dual Headlight	TRK, SUV	X150-4088-22
4	88-93	GMC	Argent/Silver - Single Headlight	TRK, SUV	X150-4988-1
5	88-93	GMC	Argent/Black - Dual Headlight	TRK, SUV	X150-4988-21
6	88-93	GMC	Chrome/Silver/Black - Dual Headlight	TRK, SUV	X150-4988-22

## GRILLES 94-98



#	YEAR	MAKE	DESCRIPTION	MODEL	PART #
1	94-98	Chevy	Chrome/Gray - Dual Headlight	TRK, SUV	X150-4094-21
2	94-98	Chevy	Black - Dual Headlight	TRK, SUV	X150-4094-22
3	94-98	Chevy	Chrome - Dual Headlight	TRK, SUV	X150-4094-23
4	94-98	GMC	Paintable - Single Headlight	TRK, SUV	X150-4994-11
5	94-98	GMC	Black - Dual Headlight	TRK, SUV	X150-4994-21
6	94-98	GMC	Chrome/Black - Dual Headlight	TRK, SUV	X150-4994-22



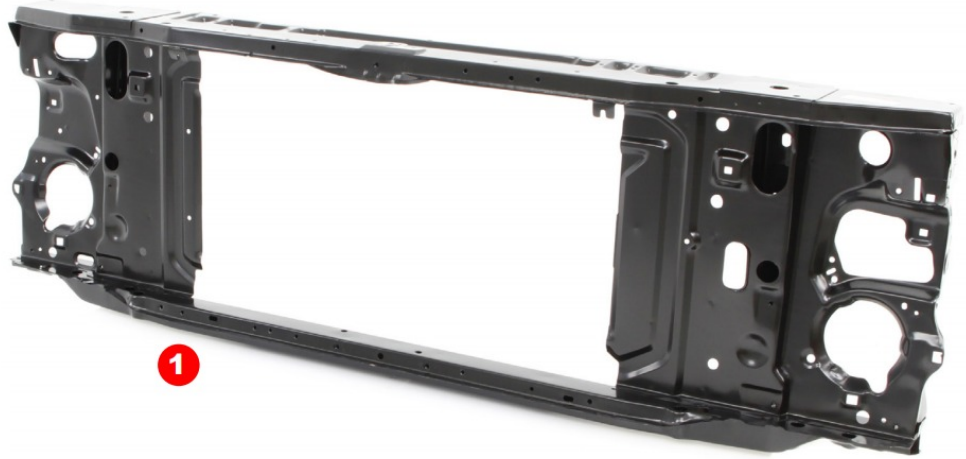
WARNING: Cancer and Reproductive Harm - www.P65Warnings.ca.gov



## RADIATOR



VISIT US ONLINE FOR THE MOST UP-TO-DATE PRICING AND SELECTION



1

#	YEAR	MAKE	DESCRIPTION	MODEL	PART #
1	88-98	Chevy GMC	Radiator Core Support	TRK, SUV	X350-4088-1



2



3



4

#	YEAR	MAKE	DESCRIPTION	MODEL	PART #
2	88-98	Chevy GMC	Fan Shroud - Upper - 4.3L V6	TRK, SUV	X355-4088-1
	88-98	Chevy GMC	Fan Shroud - Lower - 4.3L V6	TRK, SUV	X355-4088-1L
3	88-98	Chevy GMC	Fan Shroud - Upper 28" - 5.0L/5.7L V8	TRK, SUV	X355-4088-2
4	88-98	Chevy GMC	Fan Shroud - Lower 28" - 5.0L/5.7L V8	TRK, SUV	X355-4088-2L



VISIT US ONLINE FOR THE MOST UP-TO-DATE PRICING AND SELECTION



## HOODS



#	YEAR	MAKE	DESCRIPTION	MODEL	PART #
1	88-98	Chevy GMC	OE Style	TRK, SUV	X300-4088-1
2	88-98	Chevy GMC	2" Straight Cowl	TRK, SUV	300-4088-2
3	88-98	Chevy GMC	2" Curved Cowl	TRK, SUV	300-4088-2B
4	88-98	Chevy GMC	Ram Air Style - (Non-Functional)	TRK, SUV	300-4088-3
5	88-98	Chevy GMC	4" Straight Cowl	TRK, SUV	300-4088-4
6	88-98	Chevy GMC	Hood Hinge Spring - LH	TRK, SUV	X311-4088-L
	88-98	Chevy GMC	Hood Hinge Spring - RH	TRK, SUV	X311-4088-R
7	88-98	Chevy GMC	Hood Latch	TRK, SUV	X303-4081-1
8	88-98	Chevy GMC	Hood Latch Support	TRK, SUV	X326-4088-1
9	95-98	Chevy GMC	Hood Release Cable - w/ Handle	TRK, SUV	X306-4095-1
10	88-91	Chevy GMC	Hood Pop-Up Spring	TRK, SUV	303-4081
11	88-98	Chevy GMC	Hood Adjustment Bumper	TRK, SUV	305-4082-1



**WARNING:** Cancer and Reproductive Harm - www.P65Warnings.ca.gov



## FENDER



#	YEAR	MAKE	DESCRIPTION	MODEL	PART #
1	88-98	Chevy GMC	LH	TRK, SUV	X200-4088-L
	88-98	Chevy GMC	RH	TRK, SUV	X200-4088-R
2	88-98	Chevy GMC	Inner Fender - LH	TRK, SUV	X250-4088-L
	88-98	Chevy GMC	Inner Fender - RH	TRK, SUV	X250-4088-R
3	88-98	Chevy GMC	Front Fender Flare - LH - 4WD	TRK, SUV	X265-4088-4L
	88-98	Chevy GMC	Front Fender Flare - RH - 4WD	TRK, SUV	X265-4088-4R
4	88-98	Chevy GMC	Rear Fender Flare - LH - 4WD	TRK, SUV	X765-4088-4L
	88-98	Chevy GMC	Rear Fender Flare - RH - 4WD	TRK, SUV	X765-4088-4R

## BATTERY TRAY



VISIT US ONLINE FOR THE MOST UP-TO-DATE PRICING AND SELECTION



#	YEAR	MAKE	DESCRIPTION	MODEL	PART #
5	88-98	Chevy GMC	Battery Tray	TRK, SUV	X340-4088-I

## FLOOR REPAIR



VISIT US ONLINE FOR THE MOST UP-TO-DATE PRICING AND SELECTION



#	YEAR	MAKE	DESCRIPTION	MODEL	PART #
1	88-98	Chevy GMC	Front Cab Floor Half - LH	TRK	X405-4088-L
	88-98	Chevy GMC	Front Cab Floor Half - RH	TRK	X405-4088-R
2	88-98	Chevy GMC	Outer Cab Floor Extension - w/ Backing Plate - LH	TRK	X406-4088-1L
	88-98	Chevy GMC	Outer Cab Floor Extension - w/ Backing Plate - RH	TRK	X406-4088-1R
3	88-98	Chevy GMC	Front Cab Mount - LH	TRK	X427-4088-1L
	88-98	Chevy GMC	Front Cab Mount - RH	TRK	X427-4088-1R
4	88-98	Chevy GMC	Rear Cab Mount - LH	TRK	X427-4088-2L
	88-98	Chevy GMC	Rear Cab Mount - RH	TRK	X427-4088-2R



WARNING: Cancer and Reproductive Harm - www.P65Warnings.ca.gov



## ROCKER PANELS



VISIT US ONLINE FOR THE MOST UP-TO-DATE PRICING AND SELECTION



#	YEAR	MAKE	DESCRIPTION	MODEL	PART #
1	88-98	Chevy GMC	Inner Rocker Panel - LH	TRK	X440-4088-L
	88-98	Chevy GMC	Inner Rocker Panel - RH	TRK	X440-4088-R
2	88-98	Chevy GMC	Rocker Panel - Slip-On Style - LH	TRK	X450-4088-1L
	88-98	Chevy GMC	Rocker Panel - Slip-On Style - RH	TRK	X450-4088-1R
3	88-98	Chevy GMC	Rocker Panel - OE Style - LH	TRK	X450-4088-L
	88-98	Chevy GMC	Rocker Panel - OE Style - RH	TRK	X450-4088-R

## CAB CORNERS



4



5



6

#	YEAR	MAKE	DESCRIPTION	MODEL	PART #
4	88-98	Chevy GMC	Cab Corner - LH - Standard Cab	TRK	X480-4088-L
	88-98	Chevy GMC	Cab Corner - RH - Standard Cab	TRK	X480-4088-R
5	88-98	Chevy GMC	Cab Corner - LH - Extended Cab	TRK	X480-4088-2L
	88-98	Chevy GMC	Cab Corner - RH - Extended Cab	TRK	X480-4088-2R
6	88-98	Chevy GMC	Inner Cab Corner - LH - Extended Cab w/o 3rd Door	TRK	X481-4088-1L
	88-98	Chevy GMC	Inner Cab Corner - RH - Extended Cab w/o 3rd Door	TRK	X481-4088-1R



VISIT US ONLINE FOR THE MOST UP-TO-DATE PRICING AND SELECTION

## DOORS

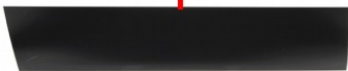


Made from high quality automotive grade steel, these doors arrive EDP coated to prevent rust and corrosion prior to installation

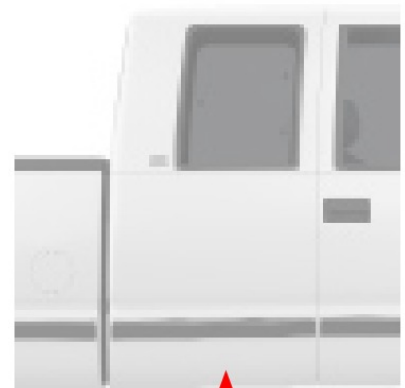
#	YEAR	MAKE	DESCRIPTION	MODEL	PART #
1	88-98	Chevy GMC	LH	TRK, SUV	X500-4088-L
	88-98	Chevy GMC	RH	TRK, SUV	X500-4088-R



2



3



4



#	YEAR	MAKE	DESCRIPTION	MODEL	PART #
2	88-98	Chevy GMC	Lower Door Skin - LH	TRK, SUV	X516-4088-L
	88-98	Chevy GMC	Lower Door Skin - RH	TRK, SUV	X516-4088-R
3	88-98	Chevy GMC	Inner Door Bottom Repair Panel - LH	TRK, SUV	X515-4088-1L
	88-98	Chevy GMC	Inner Door Bottom Repair Panel - RH	TRK, SUV	X515-4088-1R
4	96-98	Chevy GMC	Lower Rear Side Door Skin - RH - Extended Cab w/ 3rd Door	TRK	X510-4088-3R



WARNING: Cancer and Reproductive Harm - www.P65Warnings.ca.gov



## DOOR HANDLES

Need a new exterior door handle that matches the original, for far less than going back to the dealership? These replacements are OE style and come complete with seal.



VISIT US ONLINE FOR THE MOST UP-TO-DATE PRICING AND SELECTION



#	YEAR	MAKE	DESCRIPTION	MODEL	PART #
1	88-93	Chevy GMC	Outside Front Door Handle - Black/Smooth - LH	TRK, SUV	X530-4088-BL
	88-93	Chevy GMC	Outside Front Door Handle - Black/Smooth - RH	TRK, SUV	X530-4088-BR

## MIRRORS



#	YEAR	MAKE	DESCRIPTION	MODEL	PART #
2	88-98	Chevy GMC	Outside Door Mirror - Black Below Eyeline - LH	TRK, SUV	X570-4088-BL
	88-98	Chevy GMC	Outside Door Mirror - Black Below Eyeline - RH	TRK, SUV	X570-4088-BR
3	88-98	Chevy GMC	Outside Door Mirror - Chrome Below Eyeline - LH	TRK, SUV	X570-4088-CL
	88-98	Chevy GMC	Outside Door Mirror - Chrome Below Eyeline - RH	TRK, SUV	X570-4088-CR
4	88-98	Chevy GMC	Outside Door Mirror - Stainless Below Eyeline - LH	TRK, SUV	X570-4088-SL
	88-98	Chevy GMC	Outside Door Mirror - Stainless Below Eyeline - RH	TRK, SUV	X570-4088-SR
5	88-98	Chevy GMC	Outside Door Mirror - Black Manual - LH	TRK, SUV	X570-4088-L
	88-98	Chevy GMC	Outside Door Mirror - Black Manual - RH	TRK, SUV	X570-4088-R





VISIT US ONLINE FOR THE MOST UP-TO-DATE PRICING AND SELECTION



## INTERIOR



1



2



3



4



5



6

#	YEAR	MAKE	DESCRIPTION	MODEL	PART #
1	88-94	Chevy GMC	Turn Signal Lever - w/o Cruise - w/ Intermittent Wipers	TRK, SUV	<b>X458-4084-2B</b>
2	88-94	Chevy GMC	Turn Signal Lever - w/o Cruise - w/ Intermittent Wipers - Chrome	TRK, SUV	<b>X458-4084-2C</b>
3	88-91	Chevy GMC	Ignition Lock Cylinder - w/ Keys	TRK, SUV	<b>X462-4078-2</b>
4	88-94	Chevy GMC	Front Door Window Regulator - Manual - LH	TRK, SUV	<b>X545-4088-1L</b>
	88-94	Chevy GMC	Front Door Window Regulator - Manual - RH	TRK, SUV	<b>X545-4088-1R</b>
	88-98	Chevy GMC	Front Door Window Regulator - Power - LH	TRK, SUV	<b>X545-4088-2L</b>
	88-98	Chevy GMC	Front Door Window Regulator - Power - RH	TRK, SUV	<b>X545-4088-2R</b>
5	88-89	Chevy GMC	Interior Door Handle - Black - LH	TRK	<b>X540-4088-BL</b>
	88-89	Chevy GMC	Interior Door Handle - Black - RH	TRK	<b>X540-4088-BR</b>
6	90-94	Chevy GMC	Interior Door Handle - Chrome - LH	TRK	<b>X540-4088-CL</b>
	90-94	Chevy GMC	Interior Door Handle - Chrome - RH	TRK	<b>X540-4088-CR</b>

## SEALS



1

2



3



#	YEAR	MAKE	DESCRIPTION	MODEL	PART #
1	88-98	Chevy GMC	Door Window Seal - Set of 4 - Inner & Outer - Pair	TRK	<b>582-4088-1S</b>
2	88-98	Chevy GMC	Front Door Beltline Window Felt - Inner - LH or RH	TRK, SUV	<b>582-4088-1</b>
3	88-98	Chevy GMC	Door Window Seal - Outer - LH	TRK	<b>582-4088-2L</b>
	92-98	Chevy GMC	Door Window Seal - Outer - LH	SUV	<b>582-4088-2L</b>
	88-98	Chevy GMC	Door Window Seal - Outer - RH	TRK	<b>582-4088-2R</b>
	92-98	Chevy GMC	Door Window Seal - Outer - RH	SUV	<b>582-4088-2R</b>



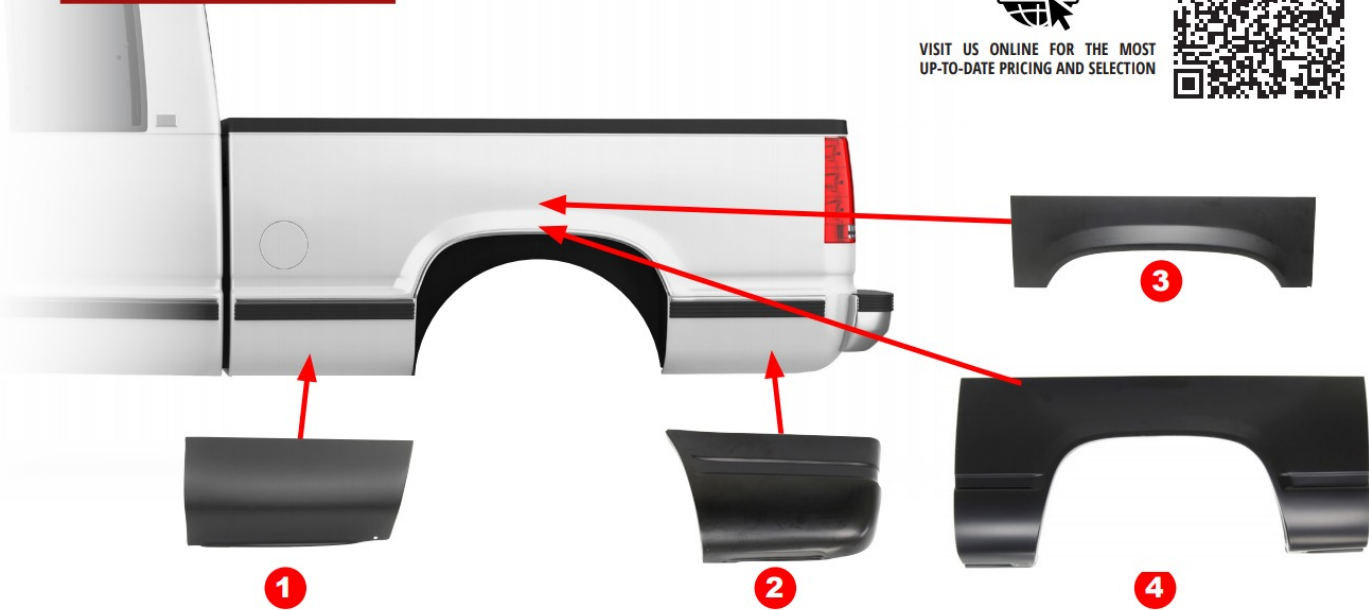
WARNING: Cancer and Reproductive Harm - www.P65Warnings.ca.gov



## BED REPAIR



VISIT US ONLINE FOR THE MOST UP-TO-DATE PRICING AND SELECTION



#	YEAR	MAKE	DESCRIPTION	MODEL	PART #
1	88-98	Chevy GMC	Front Lower Bed Panel Patch - LH	Shortbed Fleetside	725-4088-6L
	88-98	Chevy GMC	Front Lower Bed Panel Patch - RH	Shortbed Fleetside	725-4088-6R
	88-98	Chevy GMC	Front Lower Bed Panel Patch - LH	Longbed Fleetside	725-4088-8L
	88-98	Chevy GMC	Front Lower Bed Panel Patch - RH	Longbed Fleetside	725-4088-8R
2	88-98	Chevy GMC	Rear Lower Bed Panel Patch - LH	Shortbed Fleetside	755-4088-6L
	88-98	Chevy GMC	Rear Lower Bed Panel Patch - RH	Shortbed Fleetside	755-4088-6R
	88-98	Chevy GMC	Rear Lower Bed Panel Patch - LH	Longbed Fleetside	755-4088-8L
	88-98	Chevy GMC	Rear Lower Bed Panel Patch - RH	Longbed Fleetside	755-4088-8R
3	88-98	Chevy GMC	Upper Wheel Arch Patch - 39.5x12 - LH	Fleetside	730-4088-1L
	88-98	Chevy GMC	Upper Wheel Arch Patch - 39.5x12 - RH	Fleetside	730-4088-1R
4	88-98	Chevy GMC	Wheel Opening Repair Panel - 61x28 - LH	Fleetside	730-4088-L
	88-98	Chevy GMC	Wheel Opening Repair Panel - 61x28 - RH	Fleetside	730-4088-R

## WHEEL HOUSES



#	YEAR	MAKE	DESCRIPTION	MODEL	PART #
5	88-98	Chevy GMC	Bed Outer Wheelhouse - LH or RH	Fleetside	X770-4088
6	88-98	Chevy GMC	Bed Inner Wheelhouse - LH	Fleetside	X760-4088-L
7	88-98	Chevy GMC	Bed Inner Wheelhouse - RH	Fleetside	X760-4088-R

## TAILGATE



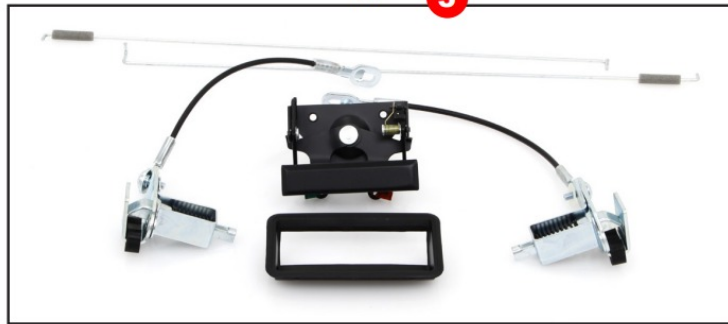
VISIT US ONLINE FOR THE MOST UP-TO-DATE PRICING AND SELECTION



# CHEVROLET

#	YEAR	MAKE	DESCRIPTION	MODEL	PART #
1	88-98	Chevy GMC	Plain	Fleetside	X925-4088-2
2	88-98	Chevy	Tailgate Band - "Chevrolet"	Fleetside	930-4088-1

KIT



4

5

6

7

8

9

10

11

12



#	YEAR	MAKE	DESCRIPTION	MODEL	PART #
3	88-98	Chevy GMC	Tailgate Component Kit	Fleetside	X927-4088-1S
4	88-92	Chevy GMC	Tailgate Hinge Set - Inner - Pair	TRK	927-4088-8P
5	93-00	Chevy GMC	Tailgate Hinge Set - Inner - Pair	TRK	927-4093-7P
6	88-00	Chevy GMC	Tailgate Hinge Set - Outer - Pair	TRK	927-4088-7P
7	88-98	Chevy GMC	Tailgate Striker - RH	TRK	X927-4088- 6R
	88-89	Chevy GMC	Tailgate Striker - LH	TRK	X927-4088-6L
8	88-98	Chevy GMC	Tailgate Cable	TRK	X927-4088-5
9	88-98	Chevy GMC	Tailgate Handle - Black	TRK	X927-4088-1
10	88-98	Chevy GMC	Tailgate Handle Bezel - Black	TRK	X927-4088-3
11	88-98	Chevy GMC	Tailgate Handle - Chrome	TRK	X927-4088-2
12	88-98	Chevy GMC	Tailgate Handle Bezel - Chrome	TRK	X927-4088-4



WARNING: Cancer and Reproductive Harm - www.P65Warnings.ca.gov



## GAS TANK



VISIT US ONLINE FOR THE MOST UP-TO-DATE PRICING AND SELECTION



1



2



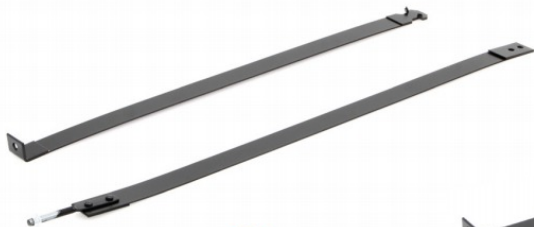
3



4

#	YEAR	MAKE	DESCRIPTION	MODEL	PART #
1	88-98	Chevy GMC	25 Gallon	TRK	890-4088-25
2	88-98	Chevy GMC	34 Gallon - (DULL INJ EXCEPT 3500HD)	TRK	890-4088-34
3	97-98	Chevy GMC	25 Gallon - (DULL INJ EXCEPT 3500HD)	TRK	890-4097-25
4	97-98	Chevy GMC	34 Gallon - (DULL INJ EXCEPT 3500HD)	TRK	890-4097-34

## TANK STRAPS



5



6



7

#	YEAR	MAKE	DESCRIPTION	MODEL	PART #
5	88-98	Chevy GMC	Strap Set - 95L 6" BOX (25 Gallon)	Shortbed TRK	X880-4088-256P
6	88-98	Chevy GMC	Strap Set - 95L 8" BOX (25 Gallon)	Longbed TRK	X880-4088-258P
7	88-98	Chevy GMC	Strap Set - 129L (34 Gallon)	TRK	X880-4088-34P



# CLASSIC TRUCK SHOW DIRECTORY

**Battle In Bama**  
[battleinbama.net](http://battleinbama.net)

**BloodDrag**  
[blooddrag.com](http://blooddrag.com)

**C10 Fall Revival**  
[c10fallrevival.com](http://c10fallrevival.com)

**C10's In The City**  
[c10sinthecity.com](http://c10sinthecity.com)

**C10 Nationals**  
[c10nationals.com](http://c10nationals.com)

**C10 Shindig**  
[c10shindig.com](http://c10shindig.com)

**C10 Intervention**  
[c10intervention.com](http://c10intervention.com)

**Classic Truck Throwdown**  
[classictruckthrowdown.com](http://classictruckthrowdown.com)

**Dino's Git Down**  
[dinosgitdown.com](http://dinosgitdown.com)

**Trucks & Cheeseburgers**  
[@trucksandcheeseburgers](https://twitter.com/trucksandcheeseburgers)

**GM Truck Fair**  
[@gmtruckfair](https://twitter.com/gmtruckfair)

**Good Guys**  
[good-guys.com](http://good-guys.com)

**Grounded Truck Gathering**  
[groundedtruckgathering.com](http://groundedtruckgathering.com)

**Lonestar Throwdown**  
[lonestarthrowdown.com](http://lonestarthrowdown.com)

**Meet -N- Eat Atlanta**  
[autometaldirect.com](http://autometaldirect.com)

**Midwest Truck Nationals**  
[midwesttrucknationals.com](http://midwesttrucknationals.com)

**No Regrets CC Toy Drive**  
[@nrtoydrive](https://twitter.com/nrtoydrive)

**NSRA**  
[nsra-usa.com](http://nsra-usa.com)

**Pro Touring Truck Shootout**  
[protouringtruckshootout.com](http://protouringtruckshootout.com)

**Slamfest**  
[slamfest.com](http://slamfest.com)

**South Eastern Truck Nationals**  
[gmtruckshow.com](http://gmtruckshow.com)

**The Reunion Show**  
[reuniontruckshow.com](http://reuniontruckshow.com)





## HOODS



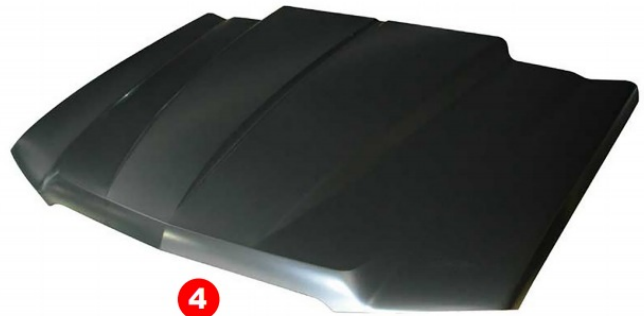
1



2



3



4



5



6



7



8



VISIT US ONLINE FOR THE MOST UP-TO-DATE PRICING AND SELECTION

#	YEAR	MAKE	DESCRIPTION	MODEL	PART #
1	99-06	Chevy	Hood - 2" Cowl - Steel	TRK/SUV	300-4099-2
2	99-06	Chevy	Hood - Ram Air Style - Steel	TRK/SUV	300-4099-3
3	99-06	GMC	Hood - 2" Cowl - Steel	TRK/SUV	300-4999-2
4	03-06	Chevy	Hood - 2" Cowl - Steel	TRK/SUV	300-4003-2
5	03-06	Chevy	Hood - Ram Air Style - Steel	TRK/SUV	300-4003-3
6	99-06	Chevy	Ram Air Hood Plastic Insert	TRK/SUV	320-4099
7	03-06	Chevy	Ram Air Hood Plastic Insert	TRK/SUV	320-4003
8	99-07	Chevy/GMC	U-Fit Universal Steel Hood Scoop - 2" Raise	TRK/SUV	301-SCOOP-1

## RUST REPAIR



1



2



3



4



VISIT US ONLINE FOR THE MOST UP-TO-DATE PRICING AND SELECTION

#	YEAR	MAKE	DESCRIPTION	MODEL	PART #
1	99-06	Chevy/GMC	Inner Rocker Panel - RH	TRK	440-4099-R
2	99-07	Chevy/GMC	Inner Cab Corner - LH	TRK	481-4099-1L
3	99-07	Chevy/GMC	Inner Front Door Bottom Repair Panel - LH	TRK	515-4099-L
4	99-07	Chevy/GMC	Inner Front Door Bottom Repair Panel - RH	TRK	515-4099-R



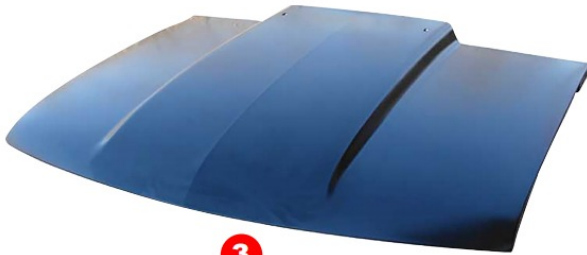
## HOODS



1



2



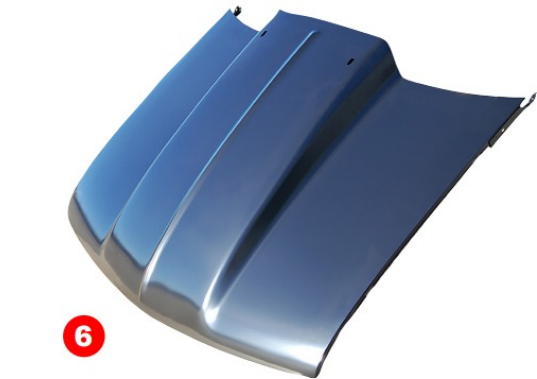
3



4



5



6



7



8



9



10



VISIT US ONLINE FOR THE MOST UP-TO-DATE PRICING AND SELECTION

#	YEAR	MAKE	DESCRIPTION	MODEL	PART #
1	82-94	Chevy/GMC	Hood - 2" Raised Cowl - Steel	TRK/SUV	300-4182-2
2	82-94	Chevy/GMC	Hood - 4" Raised Cowl - Steel	TRK/SUV	300-4182-4
3	94-04	Chevy/GMC	Hood - 2" Raised Cowl - Steel	TRK/SUV	300-4194-2
4	94-04	Chevy/GMC	Hood - 2" Raised Curved Cowl - Steel	TRK/SUV	300-4194-2B
5	94-04	Chevy/GMC	Hood - Ram Air Style - Steel	TRK/SUV	300-4194-3
6	94-04	Chevy/GMC	Hood - 4" Raised Cowl	TRK/SUV	300-4194-4
7	94-04	Chevy/GMC	Ram Air Hood Plastic Insert	TRK/SUV	320-4194
8	94-04	Chevy/GMC	U-Fit Universal Steel Hood Scoop - 2" Raise	TRK/SUV	301-SCOOP-1
9	82-04	Chevy/GMC	U-Fit Universal Steel Hood Scoop - 4" Raise	TRK/SUV	301-SCOOP-2
10	82-04	Chevy/GMC	Hood Adjustment Bumper	TRK/SUV	305-4082-1



## RUST REPAIR



These cab corners are made from automotive grade steel in the same gauge as original. Each piece arrives EDP coated to protect against rust and corrosion prior to installation.

#	YEAR	MAKE	DESCRIPTION	MODEL	PART #
1	82-93	Chevy/GMC	Cab Corner - LH	TRK	480-4182-L
2	82-93	Chevy/GMC	Cab Corner - RH	TRK	480-4182-R

## LOCKS



#	YEAR	MAKE	DESCRIPTION	MODEL	PART #
3	82-96	Chevy/GMC	Ignition Lock Cylinder w/ Keys	TRK	X462-4078-2
4	82-86	Chevy/GMC	Door Lock Set w/ Round Keys	TRK	X537-4067-IS



VISIT US ONLINE FOR THE MOST UP-TO-DATE PRICING AND SELECTION



## 5 KIT



#	YEAR	MAKE	DESCRIPTION	MODEL	PART #
5	82-93	Chevy/GMC	Park Brake Lever, Bar, Spring Kit - LH	TRK	R-514
	82-93	Chevy/GMC	Park Brake Lever, Bar, Spring Kit - RH	TRK	R-515
6	82-93	Chevy/GMC	Park Brake Horizontal Guide Bar	TRK	R-512
7	82-93	Chevy/GMC	Park Brake Guide Bar Springs - Pair	TRK	R-513

## TURN SIGNAL LEVERS



#	YEAR	MAKE	DESCRIPTION	MODEL	PART #
8	82-93	Chevy/GMC	w/o Cruise, w/o Intermitt Wipers - Black	TRK	X458-4084-1
9	85-91	Chevy/GMC	w/ Cruise, w/ Intermitt Wipers - Chrome	TRK	X458-4084-1C
10	85-94	Chevy/GMC	w/o Cruise, w/ Intermitt Wipers - Black	TRK	X458-4084-2B



Show your GM Truck pride with our high quality C10 & Squarebody truck t-shirts. These are high quality Next Level shirts that runs small in size. They are super soft, comfortable, and an perfect every day use t-shirt!

Size = Small thru 5XL  
60% Cotton, 40% Polyester

## APPAREL

Our popular GM Truck shirt design is also available in a Hoodie!  
Featuring a slammed 73-87 Chevy Squarebody and a pro touring 67-72 C10.  
Show off your Chevy truck pride and support for your favorite truck restoration parts supplier - Auto Metal Direct!

\* Pre-Shrunk fleece knit with a softer feel keeping you warm and cozy.



VISIT US ONLINE FOR THE MOST UP-TO-DATE PRICING AND SELECTION

# DESCRIPTION

- GM Truck T-Shirt - Small - Navy
- GM Truck T-Shirt - Medium - Navy
- GM Truck T-Shirt - Large - Navy
- GM Truck T-Shirt - X-Large - Navy
- GM Truck T-Shirt - 2X-Large - Navy
- GM Truck T-Shirt - 3X-Large - Navy
- GM Truck T-Shirt - 4X-Large - Navy
- GM Truck T-Shirt - 5X-Large - Navy
- GM Truck Hoodie - Small - Black
- GM Truck Hoodie - Medium - Black
- GM Truck Hoodie - Large - Black
- GM Truck Hoodie - X-Large - Black
- GM Truck Hoodie - 2X-Large - Black
- GM Truck Hoodie - 3X-Large - Black
- GM Truck Hoodie - 4X-Large - Black
- GM Truck Hoodie - 5X-Large - Black

PART #

- AMDGMTRK-S
- AMDGMTRK-M
- AMDGMTRK-L
- AMDGMTRK-XL
- AMDGMTRK-2XL
- AMDGMTRK-3XL
- AMDGMTRK-4XL
- AMDGMTRK-5XL
- AMDGMTRK-HOOD-S
- AMDGMTRK-HOOD-M
- AMDGMTRK-HOOD-L
- AMDGMTRK-HOOD-XL
- AMDGMTRK-HOOD-2XL
- AMDGMTRK-HOOD-3XL
- AMDGMTRK-HOOD-4XL
- AMDGMTRK-HOOD-5XL

## HATS



1

This Auto Metal Direct hat is the original Flexfit cap with poly-weave spandex to assure you get the perfect fit.



VISIT US ONLINE FOR THE MOST UP-TO-DATE PRICING AND SELECTION



2

Classic AMD embroidered trucker cap built with the Richardson 112 quality and fit you've come to expect from premium headwear.

## SHOP BANNER



Don't forget about our premium AMD vinyl logo sign banner. Made from 16oz vinyl, UV printing, and laminated, it's made to withstand the test of time. It comes complete with metal grommets at each corner for easy installation.

\*Measures 4' X 3'



#	DESCRIPTION	PART #
1	AMD Black Flexfit Cap	AMDHAT-2
2	AMD Black Snapback Cap	AMDHAT-3

#	DESCRIPTION	PART #
1	AMD Logo Banner 4' x 3' with grommets	AMDBANNER4X3



WARNING: Cancer and Reproductive Harm - www.P65Warnings.ca.gov



## ORDERING INFORMATION

### Internet Orders

Shop our complete product offering anytime online at [autometaldirect.com](http://autometaldirect.com). Here you will find our most up-to-date product offerings, pricing, inventory and information. Join our community of customer rides or browse through our selection of installation videos.

### Phone Orders

Feel free to call us toll-free at 833.404.4443 from anywhere in the U.S. or Canada. Our sales staff has a wealth of knowledge and first-hand experience and can assist you with any questions you may have. Our call center hours are 8:00 a.m. - 6:00 p.m. Monday - Friday, Eastern Standard. Our call center is closed on Saturday and Sunday and some U.S. Federal Holidays.

### Customer Pick Up Orders

AMD offers a customer pick-up option at no additional fee. We encourage this option whenever possible to save you money on shipping your order. You can pick up your order from our retail store located at 3348 Gateway Centre Parkway, Gainesville, GA 30507. We HIGHLY recommend placing your order prior to arriving at our location to save you time. Feel free to call us toll-free at 833.404.4443 from anywhere in the U.S. or Canada. Our retail showroom hours are 8:00 a.m. - 5:00 p.m. Monday - Friday, Eastern Standard Time. Our retail showroom is closed on Saturday and Sunday and some U.S. Federal Holidays.

### International Orders

For orders outside the United States or Canada, please utilize our website for international orders or call us by dialing the international access code then 1.770.967.0909.

## PAYMENT METHODS

### Credit / Debit Cards

We gladly accept Visa, Mastercard, Discover or American Express credit cards and Visa and Mastercard Debit Cards. We must be able to verify the shipping address on your card before shipment.

### PayPal

We will accept Paypal for online orders that are shipped via FedEx Ground inside the continental U.S.

### Check / Money Order / Other

We accept payments via money order, personal check, business check or cashier's check. We reserve the right to hold orders until payment clears. We cannot ship any order via C.O.D.

## SHIPPING

### Ground Shipments

AMD utilizes FedEx Ground for small parcel shipments. We do offer Express Ground (1,2, or 3 day) for an additional fee. Please inform your salesperson or notate on your order if you would like to utilize a Express method. Delivery dates are expectations and are not guaranteed.

### Oversize Box Shipments

Oversize package fees are assessed on a per piece basis depending on the shipping size of the product. Oversize fees are in addition to the flate rate ground shipping fee.

### Truck Freight

Any item(s) too large to ship FedEx Ground will be shipped via truck freight. Please check [autometaldirect.com](http://autometaldirect.com) for the most up-to-date shipping zones and freight charges under the Shipping & Returns tab at the top of the website.

### Damages

ALL TRUCK FREIGHT SHIPMENTS MUST BE INSPECTED AT THE TIME OF DELIVERY! If you find any damages you must contact AMD as soon as possible. If your shipment contains damage, please note 'DAMAGED' with the freight carrier at time of delivery and call us immediately at 866.591.8309. AMD will work with you and the freight carrier to find the best solution.

### Additional Boxing Fees

Due to the fragile nature of glass, we have gone the extra mile in packaging orders that contain individual glass pieces and glass kits. The following charges will be added to full glass kits, windshields and some back glass orders. These fees are to cover the cost of the protective packaging and will be added to the actual shipping fee:

Windshield / Back Glass	add \$35.00
Complete Glass Sets	add \$60.00

Some other items require more attention when packaging to ensure that you receive them in the best condition possible. These items will incur an additional boxing or crate fee. These fees are to cover the cost of the protective packaging and will be added to the actual shipping fee:

Bed Floor Crate	add \$200.00
Hood Safety Box	add \$45.00



## GUARANTEE

### Parts Guarantee

All Auto Metal Direct brand products are guaranteed to be free from defects in material and workmanship. We require that you test fit ALL parts before sanding, priming, painting or modifying them in any way. If we deem your part defective, our responsibility is to replace the part, issue credit, or refund the original purchase price. We are not responsible for any paint or labor expenses. The credit or refund amount will not exceed the defective part's original purchase price and may be subjected to being issued as in-store credit.

## BACK ORDERS

### Back Orders

Any items not available at the time the order is placed will be put on backorder. All backordered items that ship after the original shipment will be subject to additional shipping charges. Backorders will not be shipped without your prior authorization. Please let us know if you do not wish to receive backorders.

## RETURNS

### Returns

You may return any unused, undamaged, unmodified, and resellable part in its original packaging for exchange, credit or refund for up to 6 months after original purchase date. All orders, cancellations and returns are subject to a 15% restocking fee. ALL RETURNS MUST HAVE PRIOR AUTHORIZATION BEFORE THEY WILL BE ACCEPTED. All shipping costs associated with a return are your responsibility. If the return shipment is damaged in transit back to us, it may not be accepted.

## MORE PARTS ONLINE

### Additional Parts Available

Although this catalog is geared towards the GM Truck owner, we do carry a LOT of parts for other makes and models. If you're anything like us, you have several projects that consist of a large variety of vehicles saved from the scrap heap. Be sure to check out our full selection at [autometaldirect.com](http://autometaldirect.com)

## COPYRIGHT / TRADEMARK

### Copyright and Trademark Information

For this catalog, All rights are reserved. No part of this catalog is to be reproduced, copied, or retransmitted in any form or means without direct written consent from Auto Metal Direct. AMD Auto Metal Direct, 'Our Name Says it All' and 'Never Too Far Gone' are registered trademarks of Auto Metal Direct.

© Copyright 2023 Auto Metal Direct, LLC.

## COPYRIGHT / TRADEMARK

### Continued

Any part indicated GM Restoration Part are officially manufactured and licensed under the GM Restoration License Program. Logos, illustrations, images and trademarks of General Motors are used under license by AMD and our suppliers. Any descriptions bearing trade-marked names are for application reference only.

gm restoration

Any part indicated GM Restoration Part are officially manufactured and licensed under the GM Restoration License Program. Logos, illustrations, images and trademarks of General Motors are used under license by AMD and our suppliers. Any descriptions bearing trade-marked names are for application reference only.



AMD Garage is our show series dedicated to bringing you the best of the best. We offer the latest content from industry leaders, top builders, diy car enthusiast, car and truck shows, social media influencers, and so much more. Follow us at @autometaldirect on all major social media outlets.

## COVER CREDITS

### Front Cover

Photography by: Corwin Decker Photography  
@corwin\_decker\_photography  
Owner: Phil Cato @catoscustomupholstery



### Back Cover

Photography by: John Jackson  
@notstockphoto  
Owner: Jon Barefoot @nr\_barefoot



WARNING: Cancer and Reproductive Harm - [www.P65Warnings.ca.gov](http://www.P65Warnings.ca.gov)



3348 Gateway Centre Parkway  
Gainesville, GA 30507

**PRSR** STD  
**US POSTAGE**  
**Paid**  
**Permit #47**  
**GAINESVILLE, GA**

